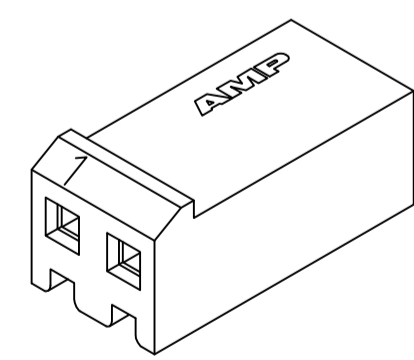
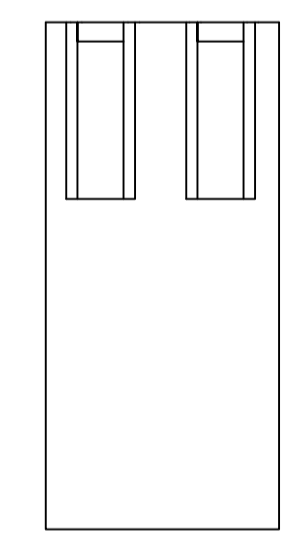
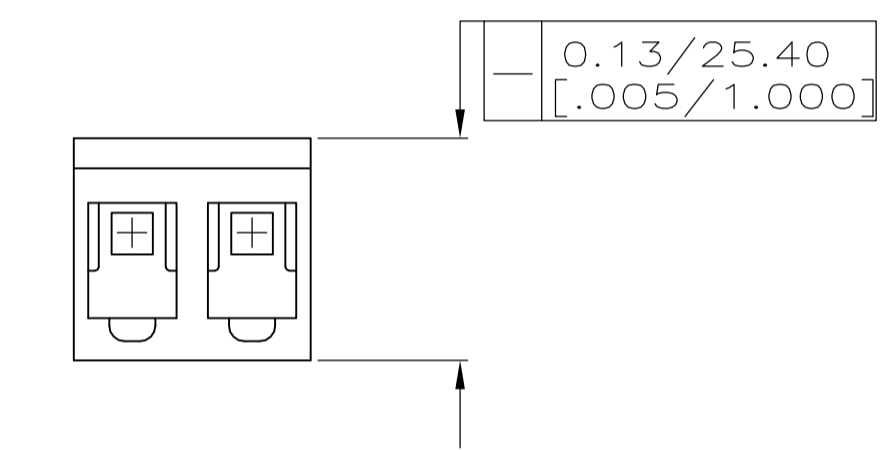
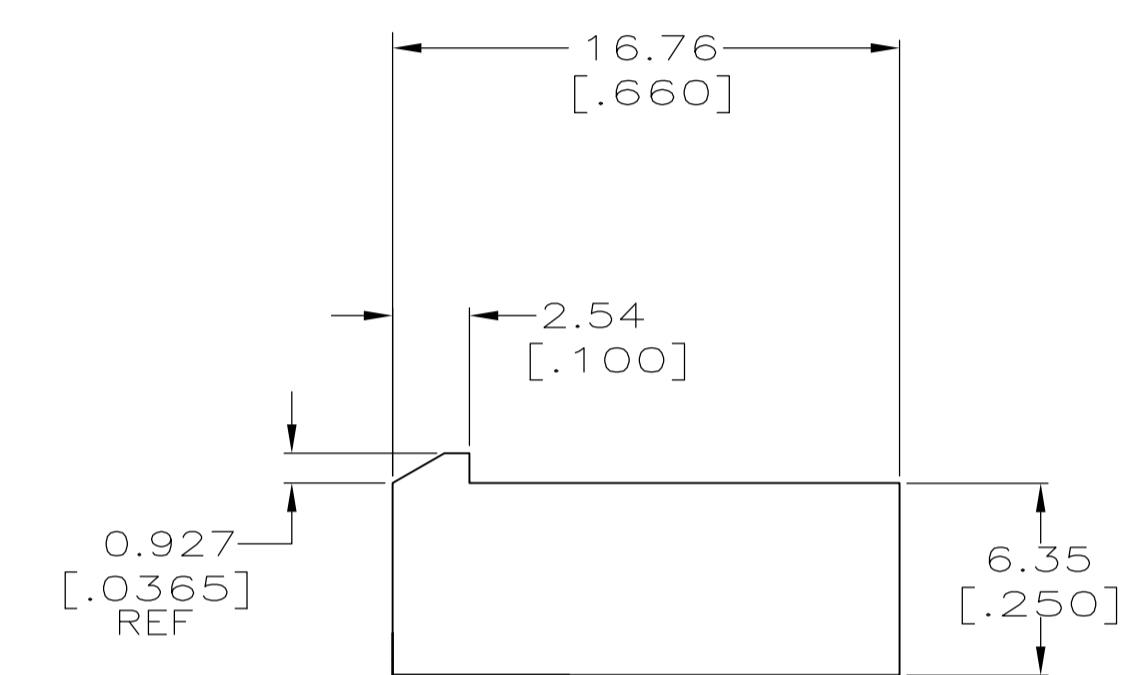
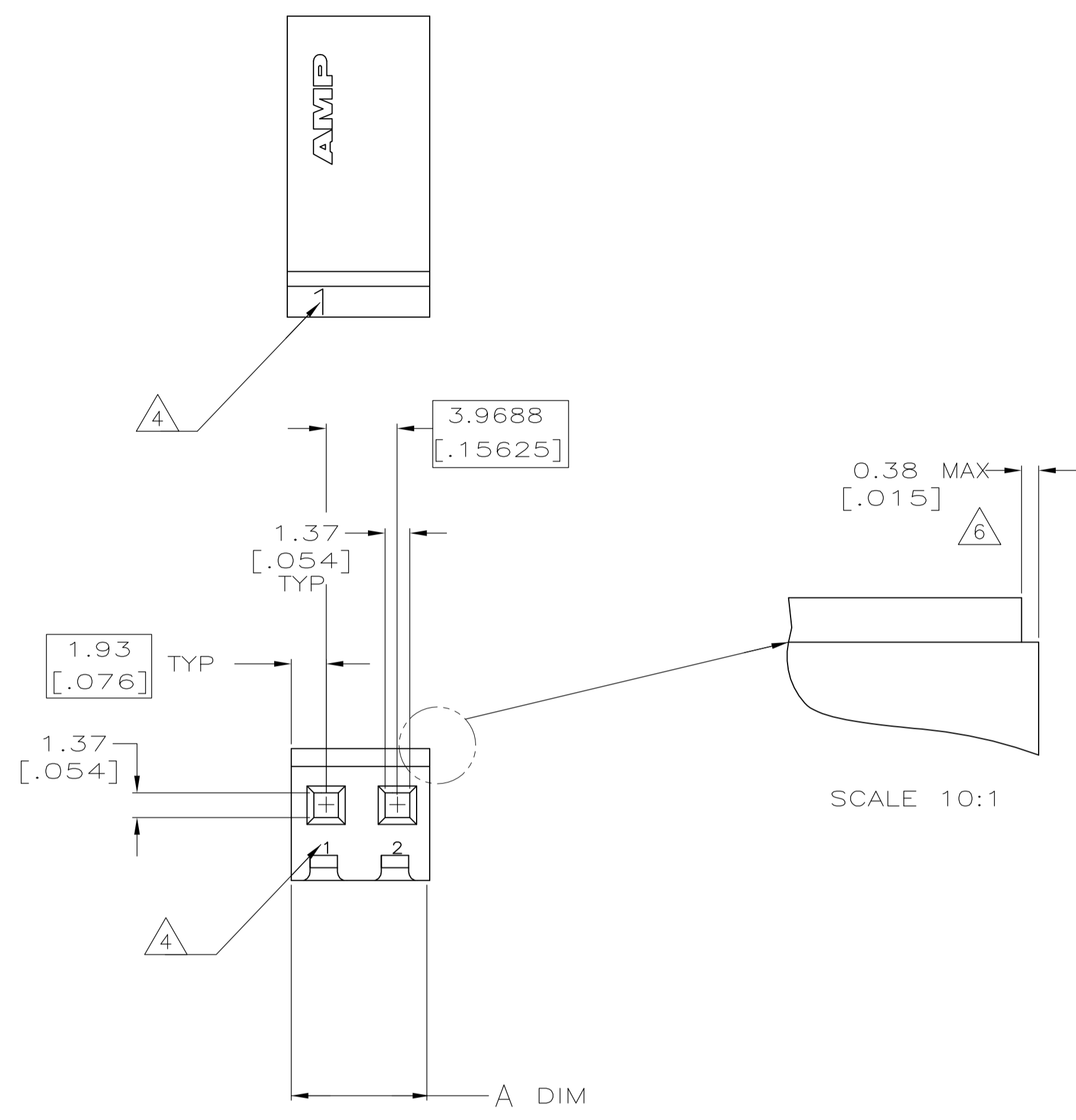


| LOC | | DIST | | REVISIONS | | | |
|-----|----|------|-----|---------------------------|-----------|-----|------|
| CM | 54 | P | LTR | DESCRIPTION | DATE | DMN | APVD |
| | | F | | REVISED PER ECR-13-018617 | 18DEC2013 | KH | TM |

- 1 UNIT ACCEPTS 1.14 [.045] SQUARE OR ROUND POST.
- 2 UNIT ACCEPTS STANDARD SL-156 CONTACTS.
- 3 UNIT ACCEPTS KEYING PLUG 640254-1 AND KEYING PIN 640255-1.
- 4 CIRCUIT I.D. NUMBER(S), TO BE LOCATED SEQUENTIALLY AS SHOWN OR ONLY NO.1 CIRCUIT PLACED ON LOCKING RAMP.
- 5 DIMENSIONS IN BRACKETS ARE IN INCHES.
- 6 OPTIONAL CONSTRUCTION (BOTH CORNERS).



3-DIMENSIONAL MODEL NTS

| | | | |
|---|--------|--|--------------------|
| 7.82 | [.308] | 2 | 644268-2 |
| A±0.25 [.010] | | NO. OF CIRCUITS | PART NUMBER |
| DIMENSIONS: mm [INCHES] TOLERANCES UNLESS OTHERWISE SPECIFIED: 0. PLC ± - 1. PLC ± - 2. PLC ± - 3. PLC ± 0.13 [.005] 4. PLC ± - ANGLES ± 0°30' | | DIN 7-29-92 R. SWING 7-29-92 E. BEILES 9-28-92 NAME: HOUSING WITH LOCKING RAMP, BLUE, SL-156 APPLICATION SPEC SIZE: A1 CAGE CODE: 00779 DRAWING NO: 644268 RESTRICTED TO: - WEIGHT: - CUSTOMER DRAWING | |
| MATERIAL: NYLON, UL 94V-0 BLUE | | SCALE: 4:1 | SHEET 1 OF 1 REV F |

单击下面可查看定价，库存，交付和生命周期等信息

[>>TE Connectivity\(泰科\)](#)