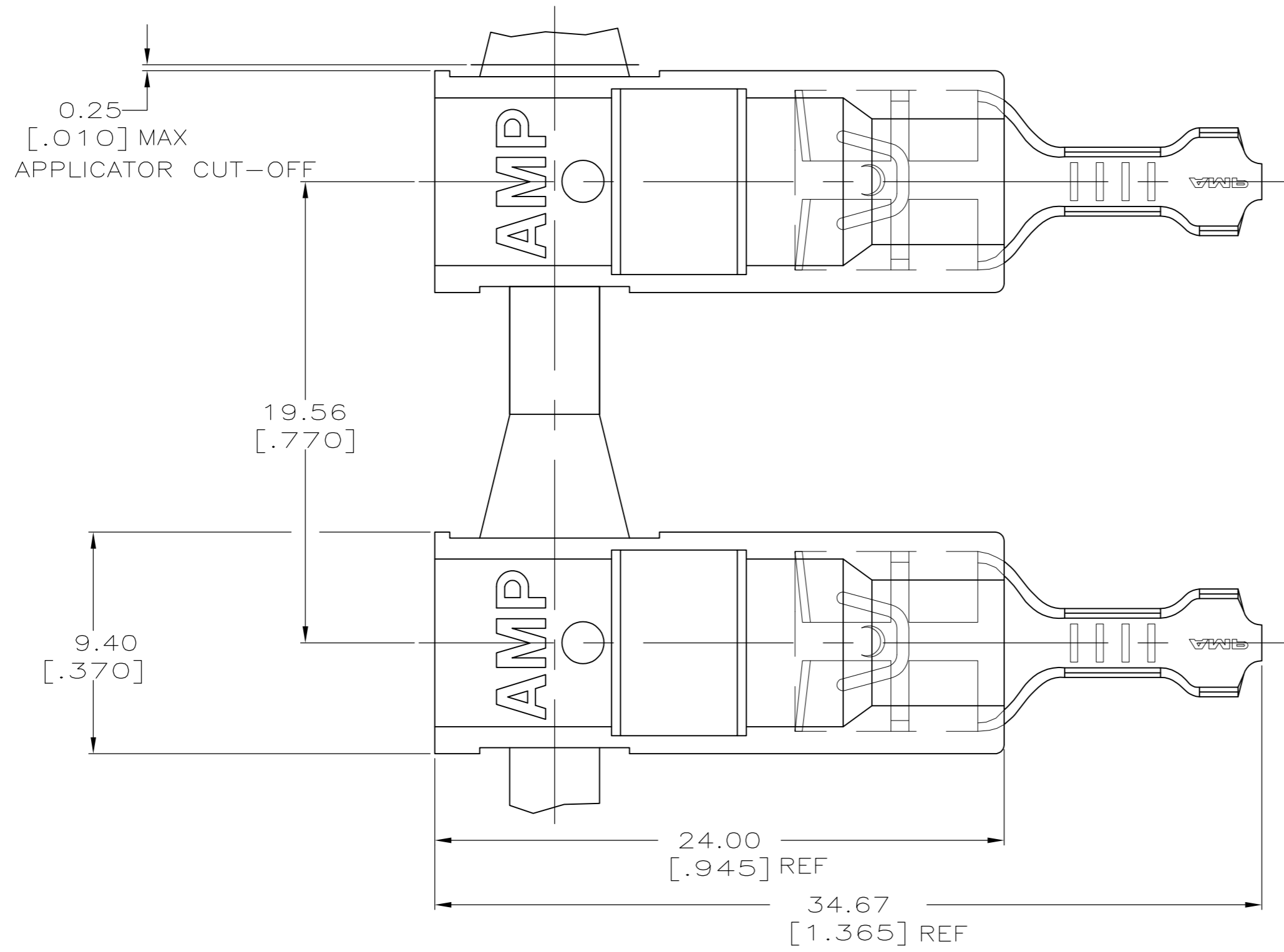
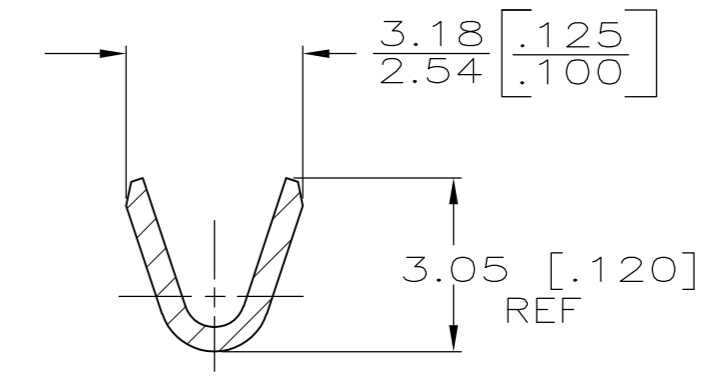


THIS DRAWING IS UNPUBLISHED. RELEASED FOR PUBLICATION
 © COPYRIGHT - By - ALL RIGHTS RESERVED.

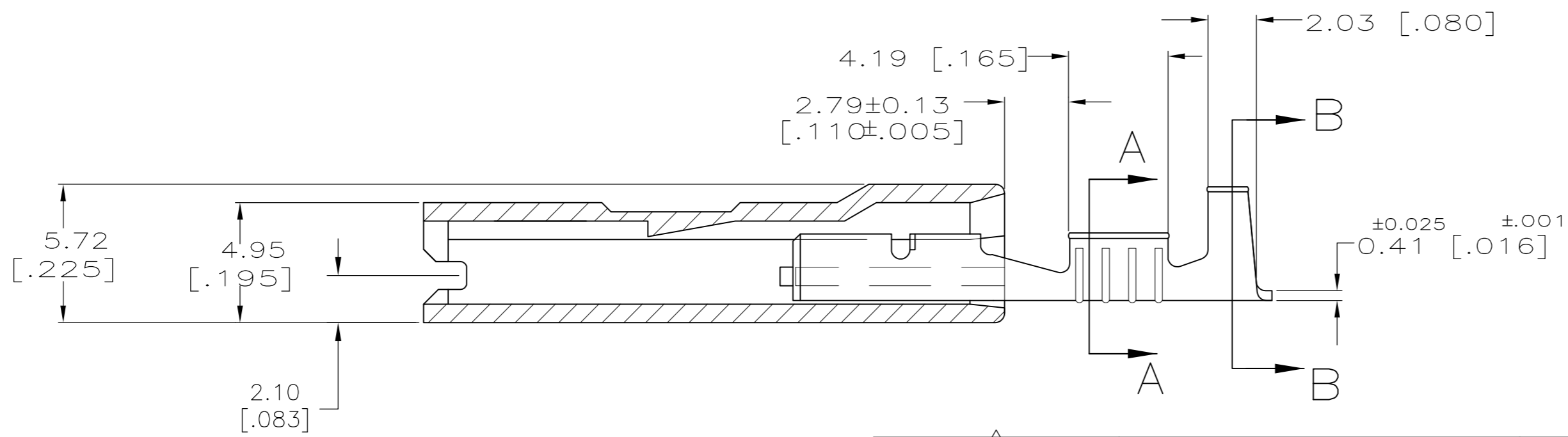
LOC		DIST		REVISIONS			
P	LTR	DESCRIPTION		DATE	DWN	APVD	
AF	50	A2	REVISED PER ECR-12-013219		08JAN13	KH	KR



- 1 0.002032 [.000080] MIN TIN
- 2 LOW-INSERTION FASTON TERMINALS, BASE PART NUMBER 63609, ARE USED IN THIS PRODUCT.



SECTION A-A
SCALE 8:1



SECTION B-B
SCALE 8:1

1 PLAIN	2.29-3.30 [.090-.130]	0.3-0.8 mm ² [22-18]	0.81 [.032]	521368-2
TERMINAL FINISH	INSULATION RANGE	WIRE SIZE	MATING TAB THK ±0.025 [±.001]	521368-1
			PART NO	

THIS DRAWING IS A CONTROLLED DOCUMENT.		DWN	JR RUTH	15JAN01	 TE Connectivity
DIMENSIONS: mm [INCHES]		CHK	MS FEHER	15JAN01	
TOLERANCES UNLESS OTHERWISE SPECIFIED:		APVD	J HUMMEL	15JAN01	
0 PLC ± - 1 PLC ± - 2 PLC ± 0.25 [.010] 3 PLC ± - 4 PLC ± - ANGLES ± -		PRODUCT SPEC	108-1285		
MATERIAL		APPLICATION SPEC	114-2124		NAME
TERMINAL - BRASS		FINISH	-		SIZE
HOUSING - 6/6 VO NYLON		TERMINAL - SEE TABLE	-		CAGE CODE
		HOUSING - NATURAL	-		DRAWING NO
			-		RESTRICTED TO
			-		SCALE
			-		SHEET
			-		REV
			-		A2

单击下面可查看定价，库存，交付和生命周期等信息

[>>TE Connectivity\(泰科\)](#)