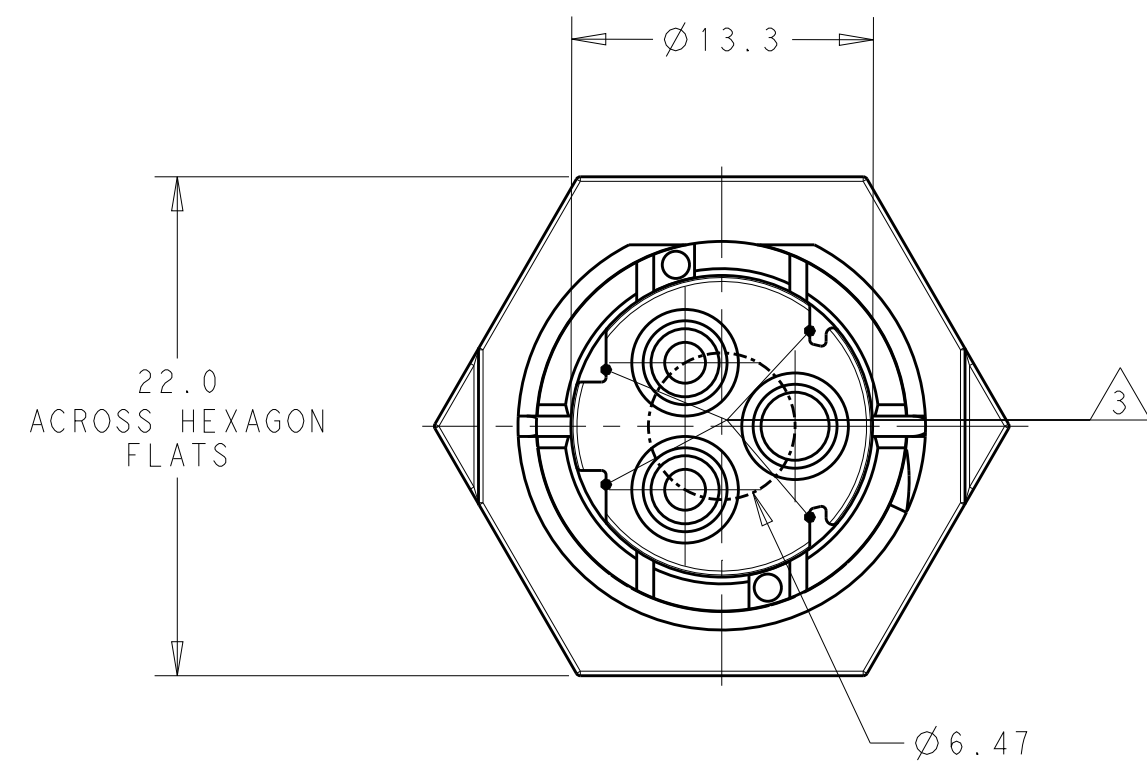


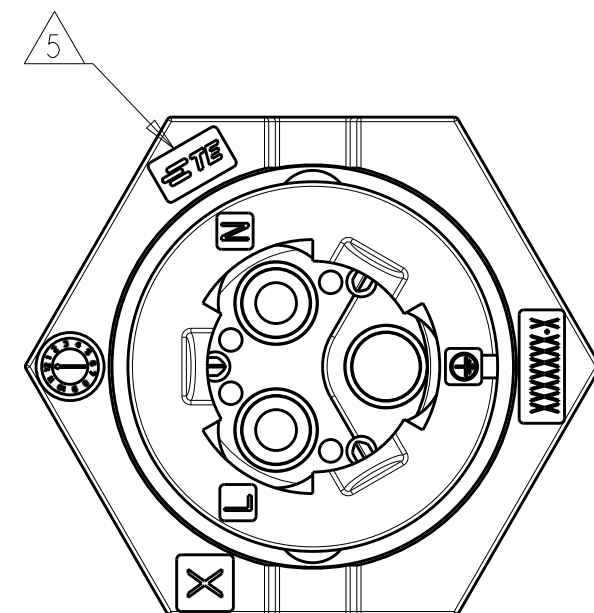
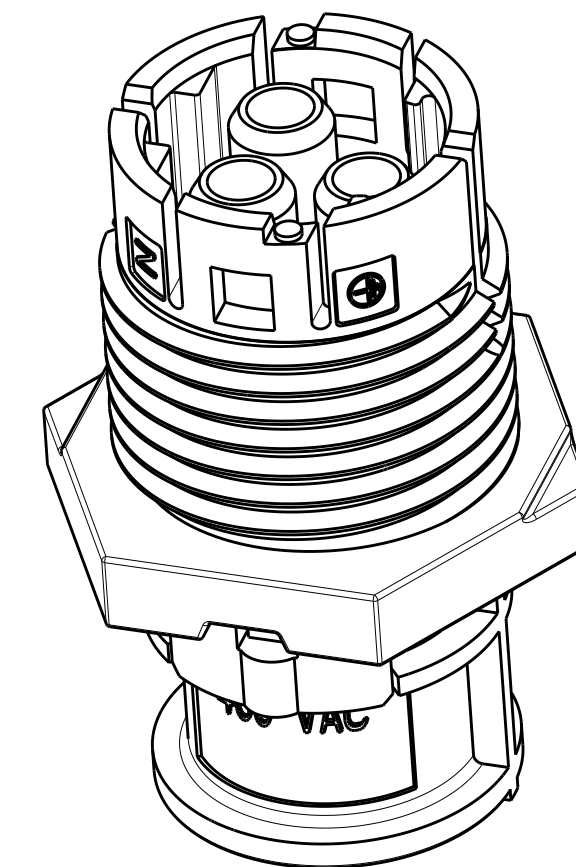
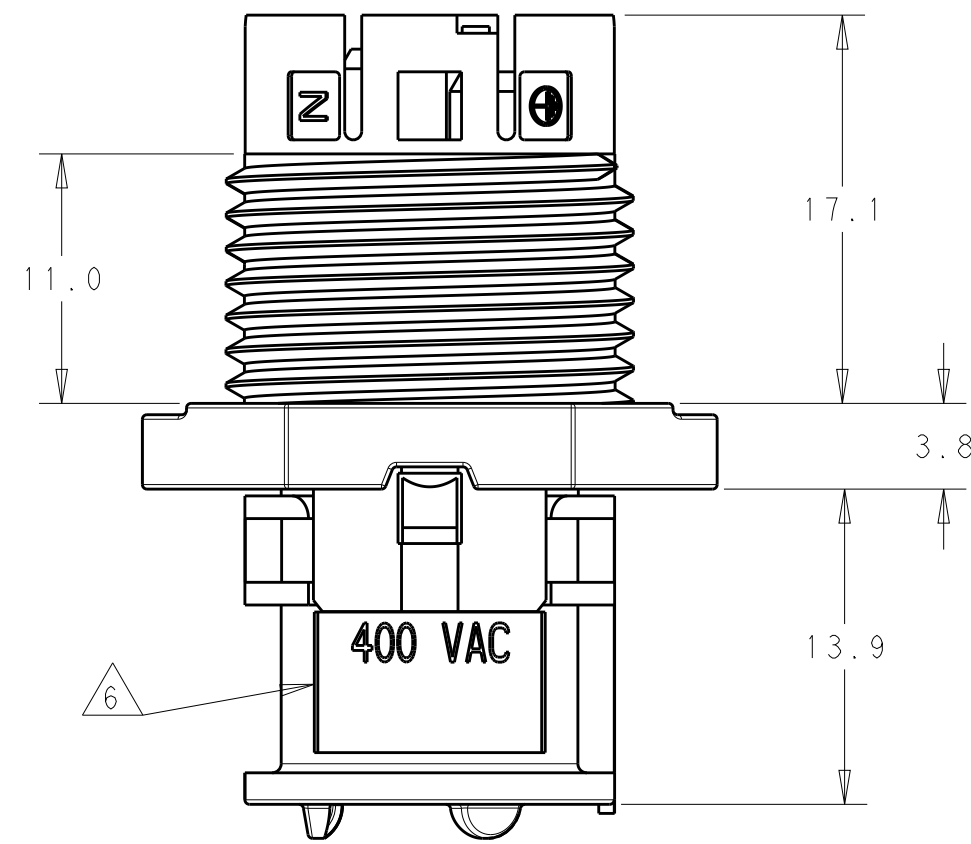
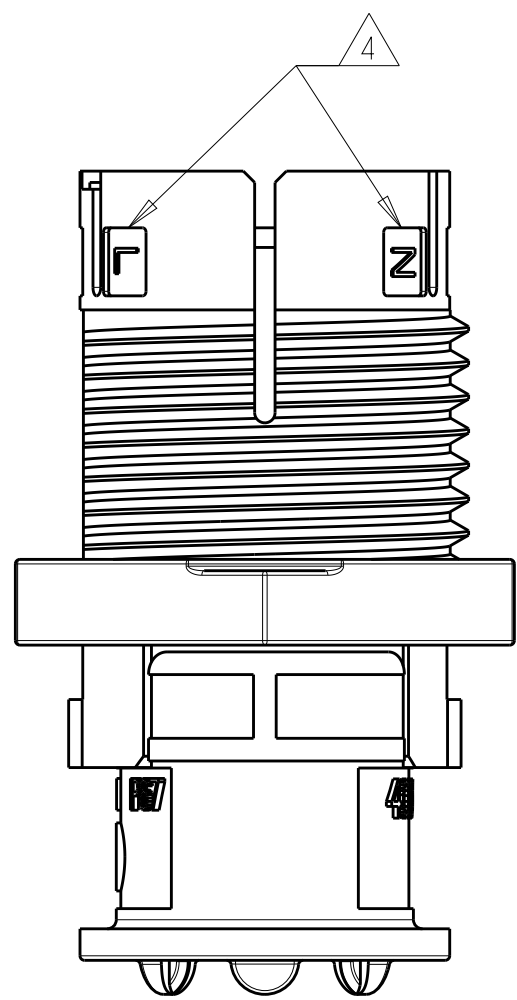
THIS DRAWING IS UNPUBLISHED. RELEASED FOR PUBLICATION 20  
 © COPYRIGHT 20 BY - ALL RIGHTS RESERVED.

REVISIONS					
P	LTR	DESCRIPTION	DATE	DWN	APVD
A		REVISED AS PER ECR-15-005925	22APR2015	RS	JL
A1		ECR-18-006945	02JUL2018	SR	MZ



NOTES:

- MATERIAL: GLASS FILLED PBT, COLOR: BLACK
- MUST COMPLY WITH DIRECTIVE 2002/95/EC (ROHS)
- ALL POLARIZATION KEYS SHOWN FOR REF ONLY.
- CIRCUIT I.D.
- TE LOGO
- VOLTAGE RATING
- THIS PRODUCT HAS NOT COMPLETED VALIDATION TESTING



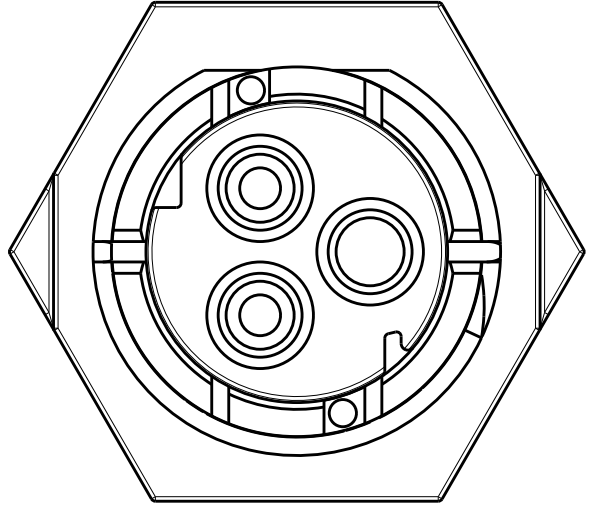
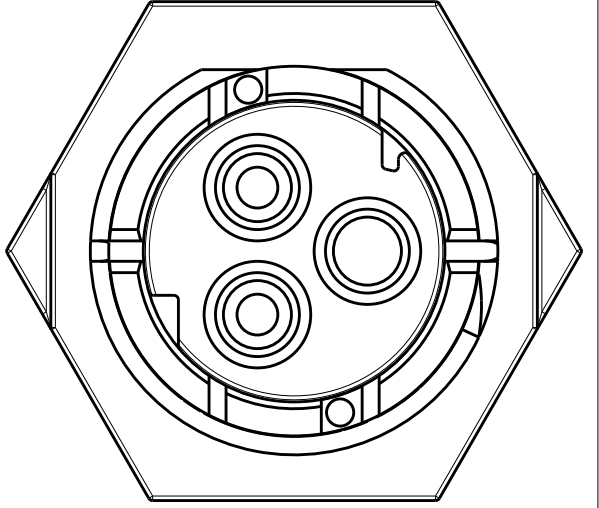
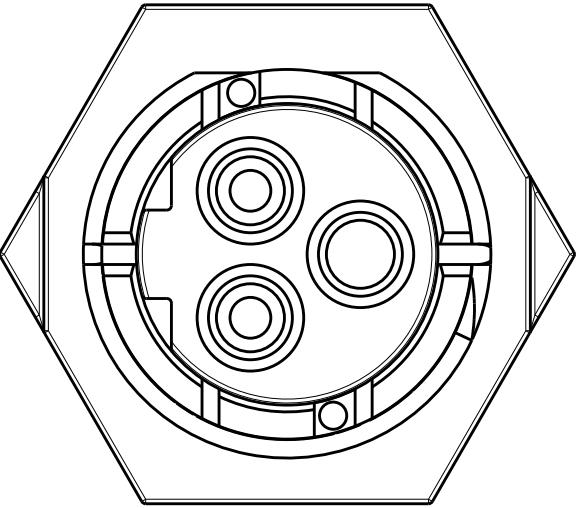
OBSOLETE	C	PANEL MOUNT SOCKET SEALED NECTOR 3 POSITION	2213468-3
	B	PANEL MOUNT SOCKET SEALED NECTOR 3 POSITION	2213468-2
	A	PANEL MOUNT SOCKET SEALED NECTOR 3 POSITION	2213468-1
	POLARIZATION TYPE	DESCRIPTION	PART NUMBER

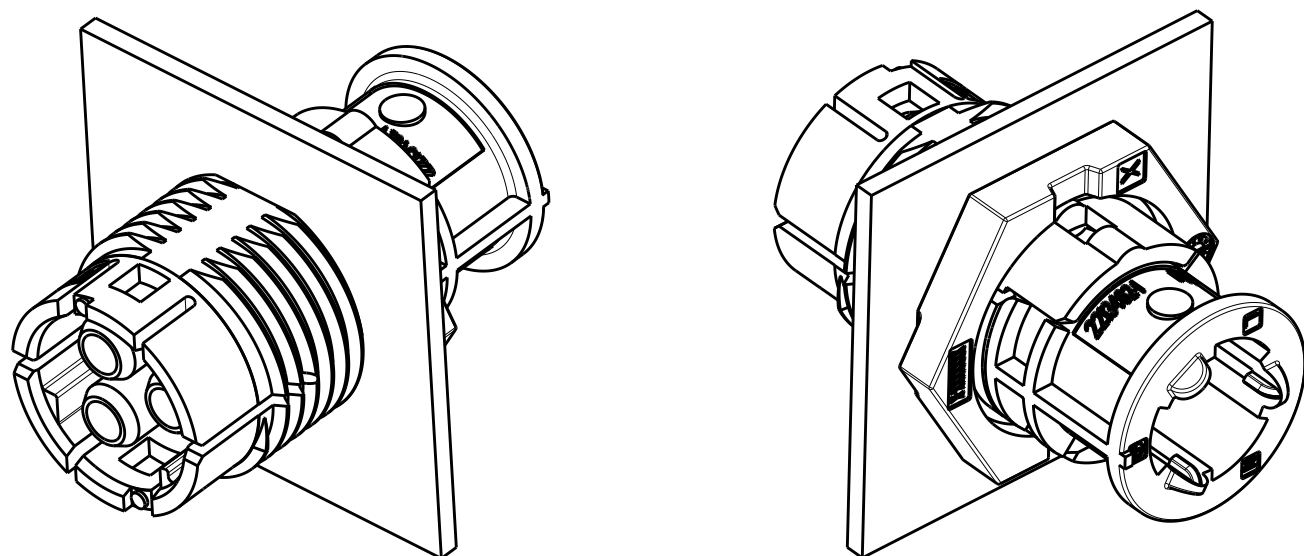
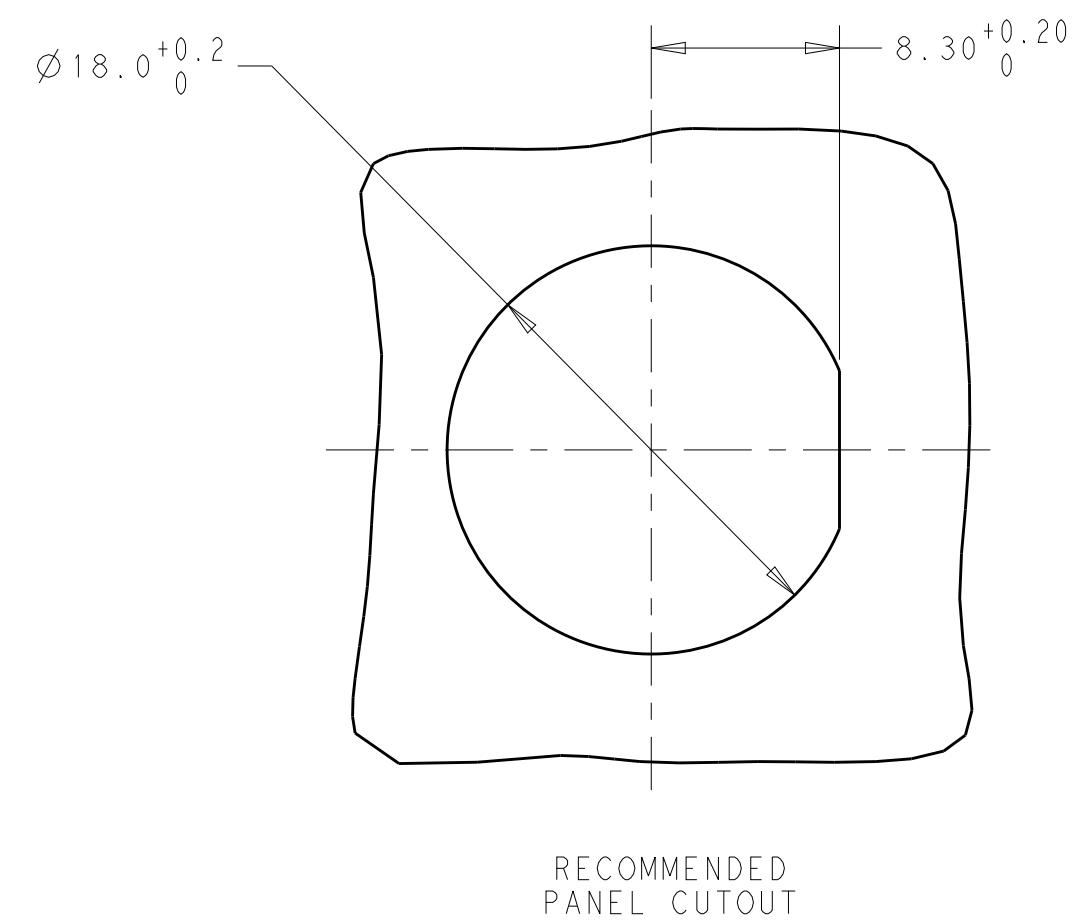
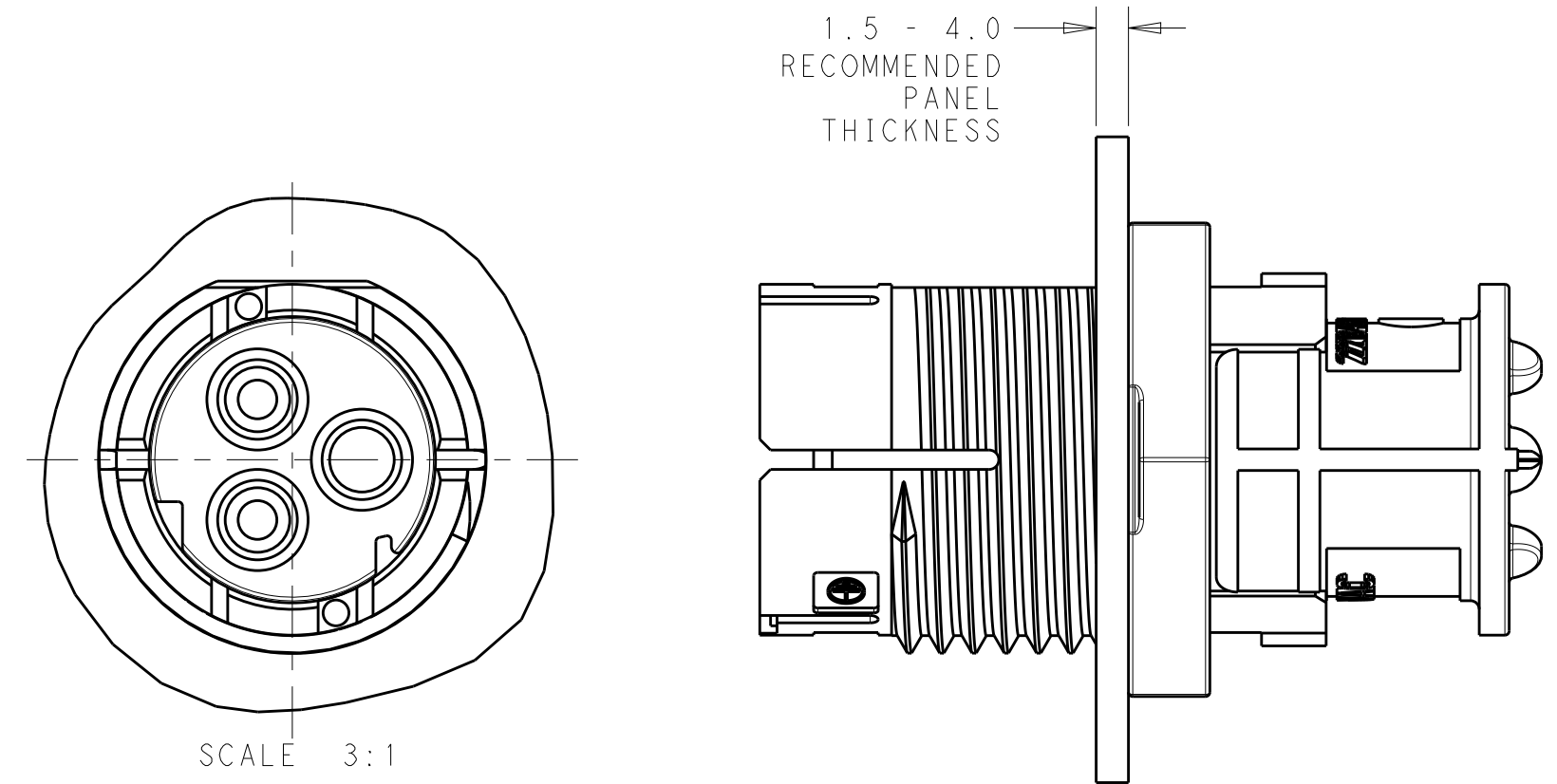
DIMENSIONS:		TOLERANCES UNLESS OTHERWISE SPECIFIED:		APVD		NAME	
mm	0 PLC	±		M. LUKSIC		PANEL MOUNT, SOCKET; SEALED NECTOR M 3 POSITION	
	1 PLC	±0.3		M. LUKSIC		SIZE	
	2 PLC	±0.20		M. LUKSIC		CAGE CODE	
	3 PLC	±		M. LUKSIC		DRAWING NO	
	4 PLC	±		M. LUKSIC		RESTRICTED TO	
	ANGLES	±3°		M. LUKSIC		SCALE	
	FINISH	-		M. LUKSIC		SHEET	
MATERIAL	TBD	-		M. LUKSIC		OF	
	-	-		M. LUKSIC		REV	

THIS DRAWING IS UNPUBLISHED. RELEASED FOR PUBLICATION 20  
 © COPYRIGHT 20 BY - ALL RIGHTS RESERVED.


REVISIONS				
P	LTR	DESCRIPTION	DATE	APVD
-		SEE SHEET 1	-	-

### POLARIZATION TYPES

POLARIZATION TYPE "A"	POLARIZATION TYPE "B"	POLARIZATION TYPE "C"
		
PN 2213468-1	<del>PN 2213468-2</del>	<del>PN 2213468-3</del>



3D VIEWS  
FOR REFERENCE ONLY

THIS DRAWING IS A CONTROLLED DOCUMENT.		DWN J. SHAFFER 20MAR2014	 TE Connectivity	
		CHK M. LUKSIC 20MAR2014		
		APVD M. LUKSIC 20MAR2014	NAME PANEL MOUNT, SOCKET; SEALED NECTOR M 3 POSITION	
DIMENSIONS: mm		PRODUCT SPEC 108-133014	SIZE A2	CAGE CODE -
TOLERANCES UNLESS OTHERWISE SPECIFIED: 0 PLC ± 1 PLC ±0.3 2 PLC ±0.20 3 PLC ± 4 PLC ± ANGLES ±3° FINISH		APPLICATION SPEC 114-32111	DRAWING NO G-2213468	RESTRICTED TO -
MATERIAL TBD		WEIGHT -	SCALE 1:1	SHEET 2 OF 2
		Customer Drawing	REV A1	

单击下面可查看定价，库存，交付和生命周期等信息

[>>TE Connectivity\(泰科\)](#)