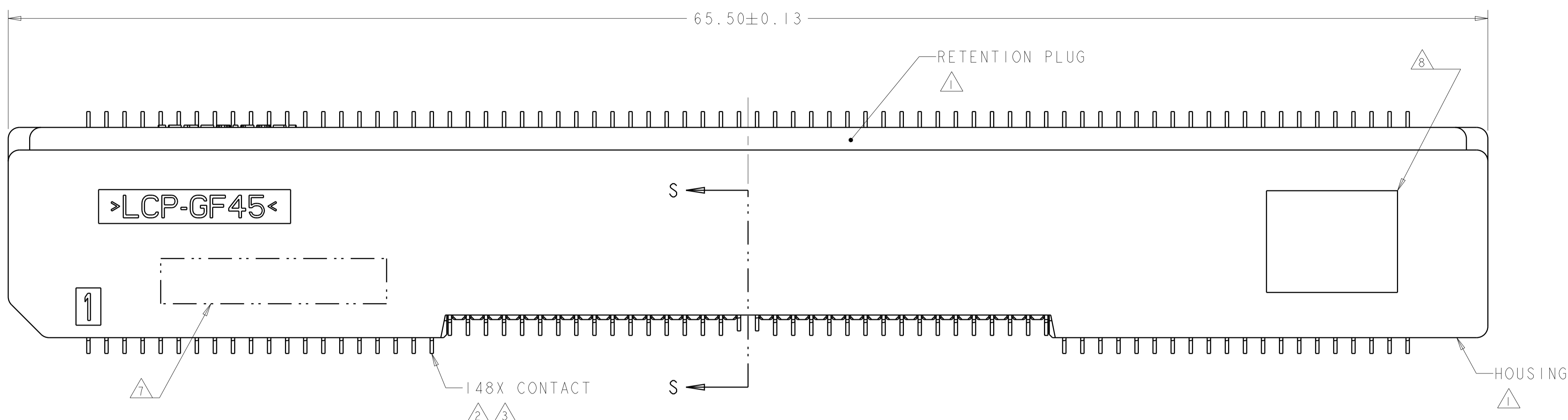
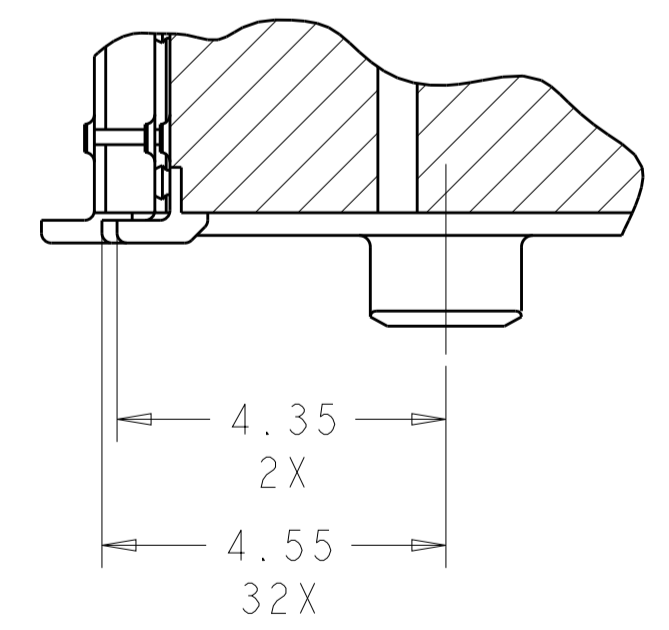
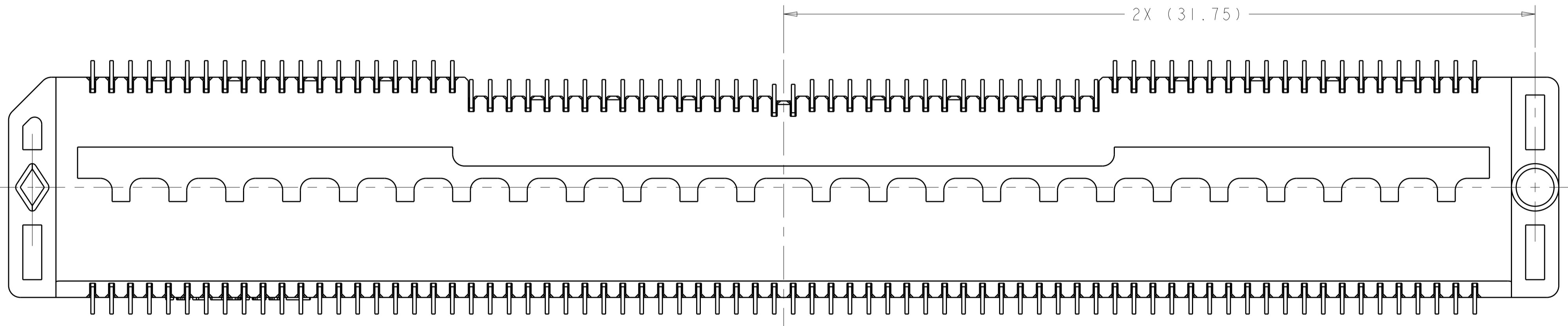
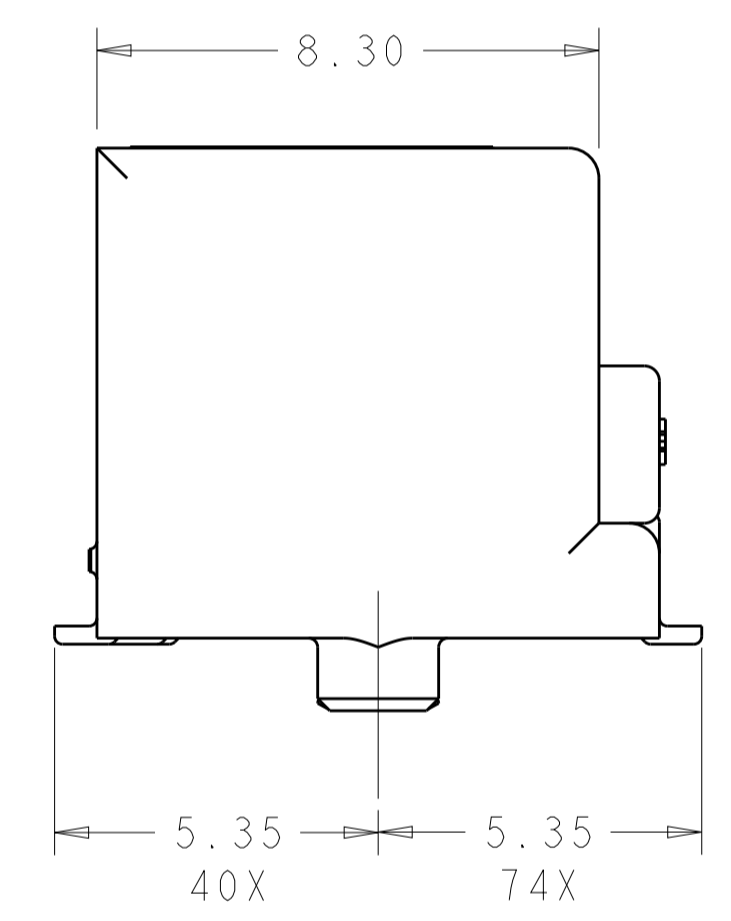
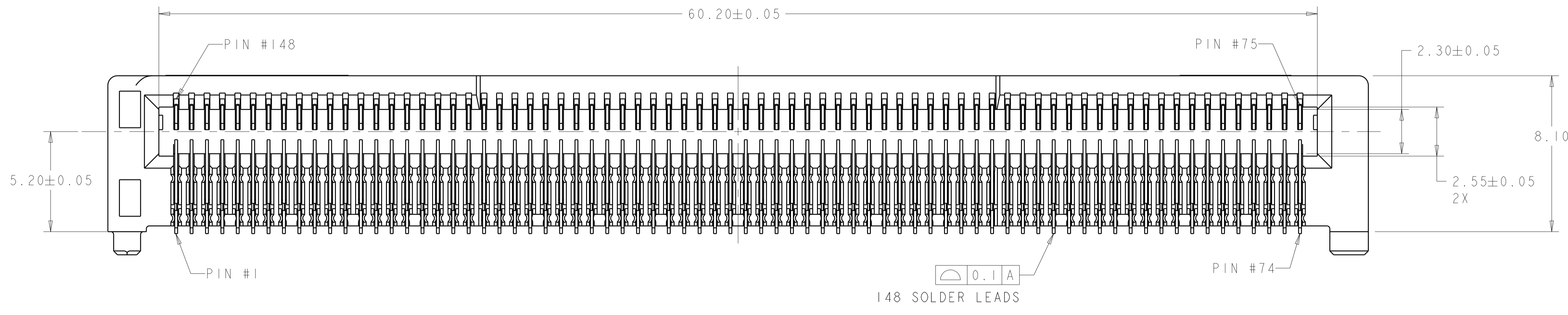


LOC	DIST	REVISIONS					
GP	00	P	LTN	DESCRIPTION	DATE	DWN	APVD
		A		RELEASED PER ECO-12-006362	11MAY2012	CJV	MRS
		A1		RELEASED PER ECO-15-016093	09NOV2015	PP	SH



- ① HOUSING AND RETENTION PLUG MATERIAL: POLYESTER LCP.
- ② CONTACT MATERIAL: COPPER ALLOY.
- ③ CONTACT FINISH: CONFORMS TO THE REQUIREMENTS OF TE CONNECTIVITY PRODUCT SPECIFICATION 108-2399. BASED ON EIA/ECA-364-1000.01A. (CONTROLLED ENVIRONMENT APPLICATIONS) ON MATING END, GOLD FLASH ON SOLDER TAILS.
- ④ DATUMS AND BASIC DIMENSIONS ARE TO BE ESTABLISHED BY CUSTOMERS FIDUCIALS.
- ⑤ OPTIONAL HOLES FOR M3x0.5 SCREW/STANDOFFS.
- ⑥ BELLY TO BELLY PCB THICKNESS: 3.40 ± 0.40mm.
- ⑦ PART NUMBER AND DATE CODE MARKED IN APPROXIMATE AREA SHOWN.
- ⑧ MANUFACTURER'S LOGO APPROXIMATELY AS SHOWN.

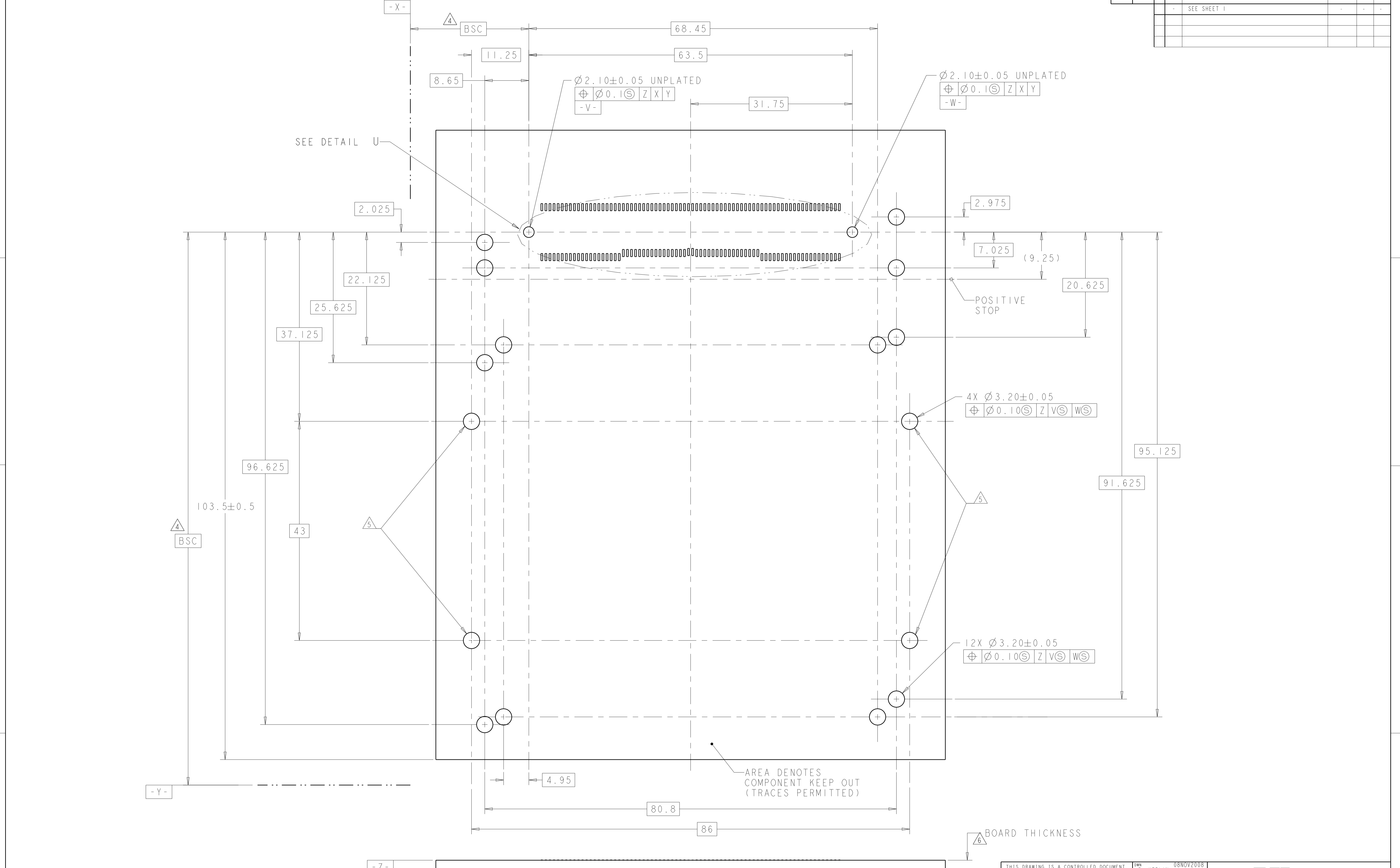


SECTION S-S  
ROTATED 90° CW  
SCALE 10:1

TRAY	2057630-2
TAPE REEL	2057630-1
PACKAGE	PART NUMBER

THIS DRAWING IS A CONTROLLED DOCUMENT. DIMENSIONING AND TOLERANCING PER ASME Y14.5M-2009.		DWN P. KERLIN 08NOV2008	TE Connectivity
DIMENSIONS: mm		CHK E. BRIGHT 08NOV2008	
TOLERANCES UNLESS OTHERWISE SPECIFIED:		APVD	NAME
0 PLC	±	PRODUCT SPEC	RECEPTACLE ASSEMBLY, HOST, CFP PLUGGABLE
1 PLC	±0.10	APPLICATION SPEC	
2 PLC	±	SIZE	CAGE CODE DRAWING NO
3 PLC	±	WEIGHT	A100779C=2057630
4 PLC	±	CUSTOMER DRAWING	SCALE 8:1 SHEET 1 OF 3 REV A1
ANGLES	±		
FINISH	SEE NOTES		

LOC	DIST	REVISIONS			
P	LTN	DESCRIPTION	DATE	DMN	APVD
GP	00	SEE SHEET 1			



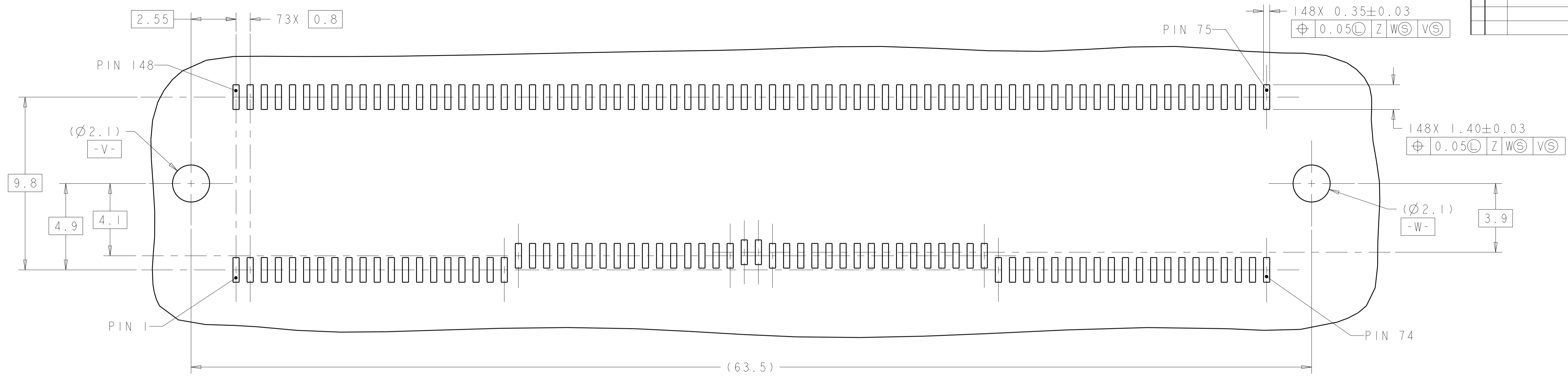
RECOMMENDED PCB LAYOUT FOR SINGLE SIDE MOUNTING  
SCALE 3:1

THIS DRAWING IS A CONTROLLED DOCUMENT. DIMENSIONING AND TOLERANCING PER ASME Y14.5M-2009		DMN P. KERLIN 08NOV2008	TE Connectivity
TOLERANCES UNLESS OTHERWISE SPECIFIED:		CHK E. BRIGHT 08NOV2008	
DIMENSIONS:	mm	APVD	NAME
0 PLC	±	PRODUCT SPEC	RECEPTACLE ASSEMBLY, HOST, CFP PLUGGABLE
1 PLC	±0.10	108-2399	
2 PLC	±	APPLICATION SPEC	
3 PLC	±	114-13263	
4 PLC	±	WEIGHT	
ANGLES	±	114-13263	
MATERIAL	SEE NOTES	CUSTOMER DRAWING	SCALE 8:1 SHEET 2 OF 3 REV A

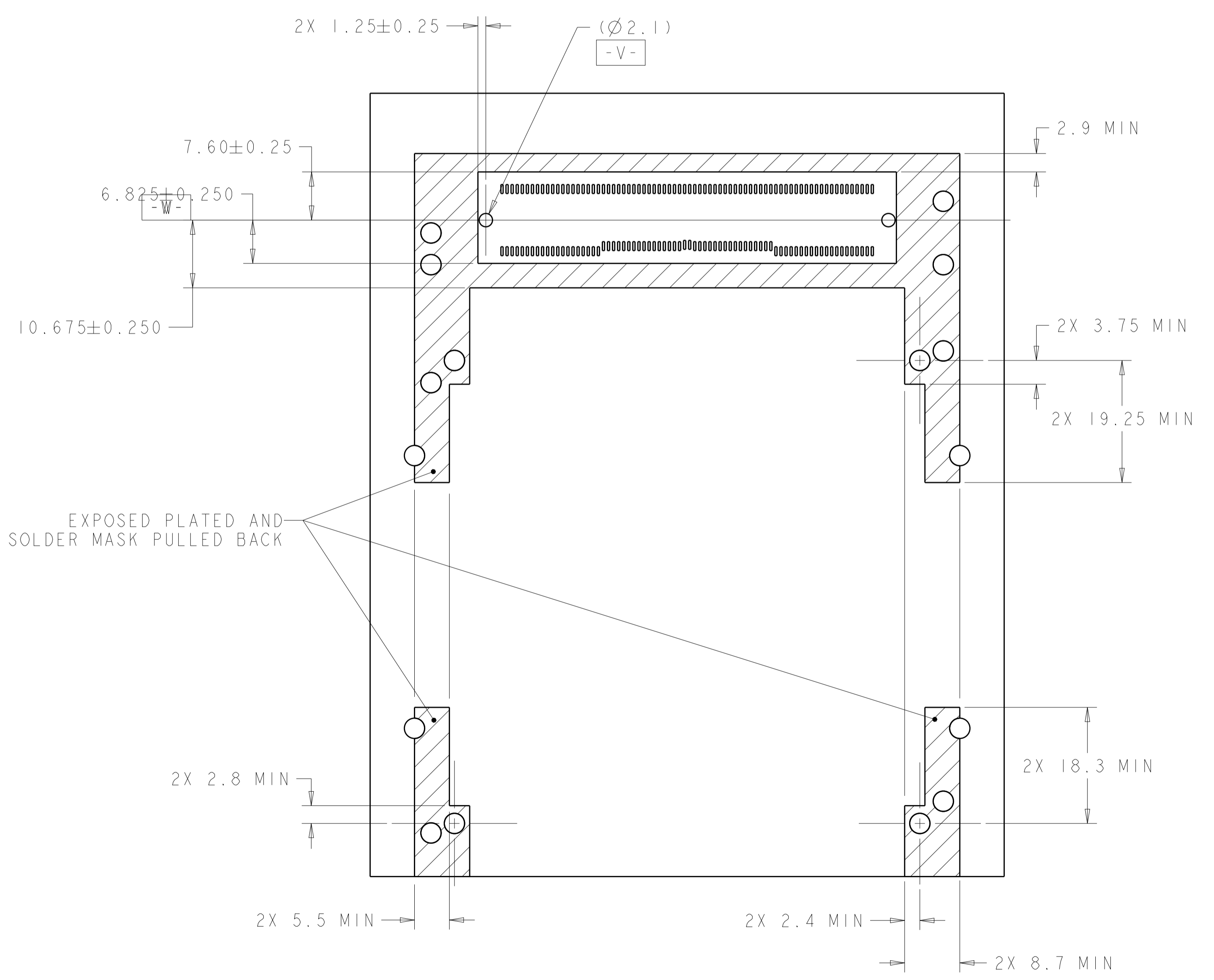
LOC	DIST	REV	DATE	BY	APVD
GP	00				

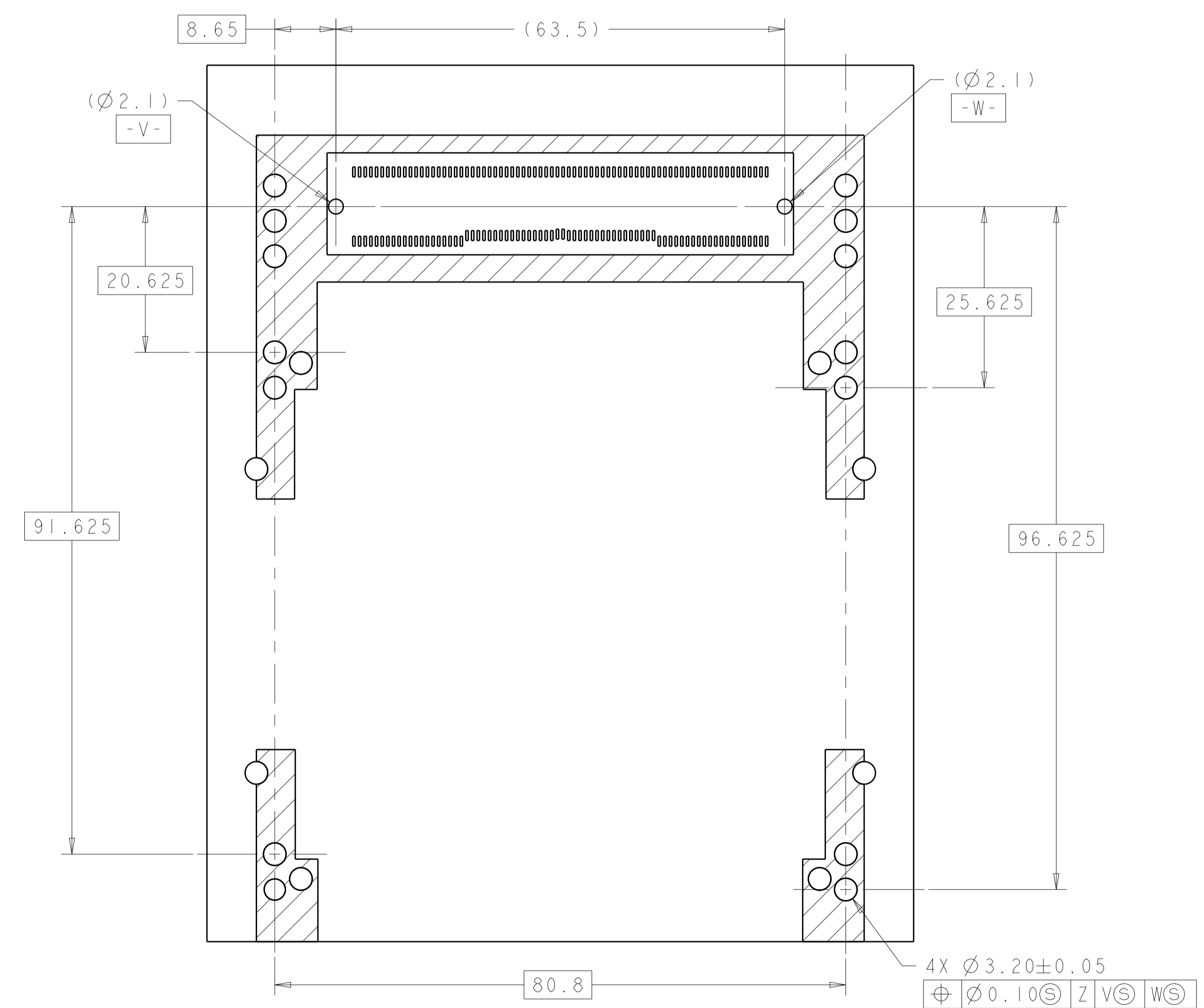
REVISIONS		DATE	BY	APVD
-	SEE SHEET 1	-	-	-



DETAIL U  
 RECOMMENDED HOST CONNECTOR PCB LAYOUT  
 SCALE 8:1



RECOMMENDED COMPONENT AND TRACE KEEPOUT AREA  
 SCALE 2:1



RECOMMENDED PCB LAYOUT FOR BELLY TO BELLY MOUNT,  
 SAME AS SINGLE SIDE MOUNT EXCEPT AS SHOWN  
 SCALE 2:1

THIS DRAWING IS A CONTROLLED DOCUMENT. DIMENSIONING AND TOLERANCING PER ASME Y14.5M-2009.		DWN: P. KERLIN 08NOV2008 CHK: E. BRIGHT 08NOV2008 APVD: -	NAME: RECEPTACLE ASSEMBLY, HOST, CFP PLUGGABLE PRODUCT SPEC: 108-2399 APPLICATION SPEC: 114-13263 WEIGHT: - CUSTOMER DRAWING: -	SIZE: A CAGE CODE: 100779 DRAWING NO: 2057630 SCALE: 8:1 SHEET: 3 OF 3 REV: A
---	--	---	---	--

单击下面可查看定价，库存，交付和生命周期等信息

[>>TE Connectivity\(泰科\)](#)