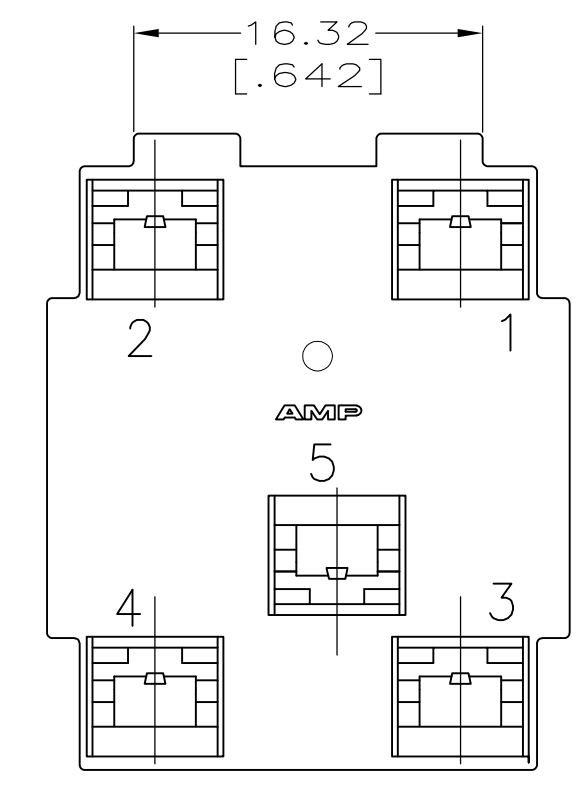
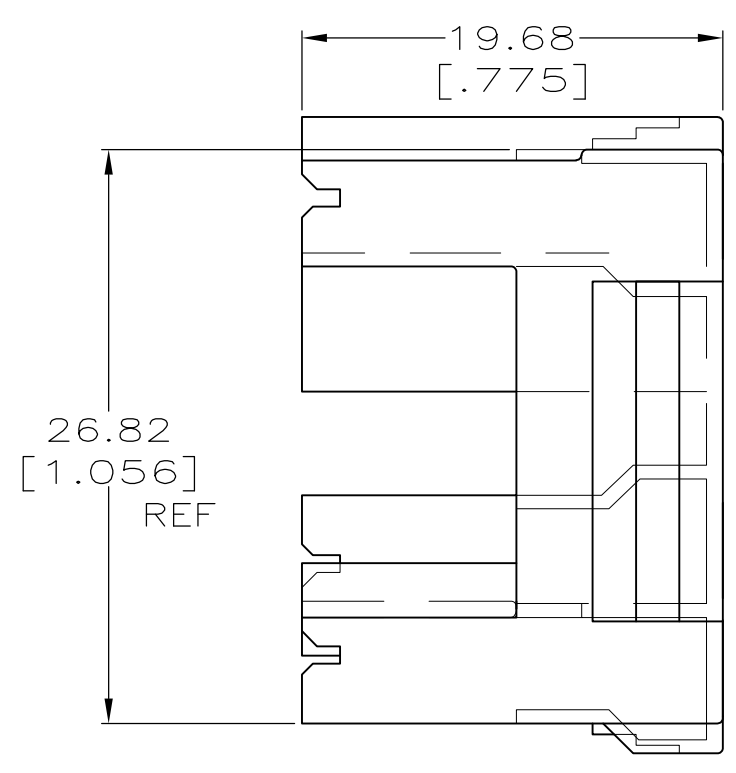
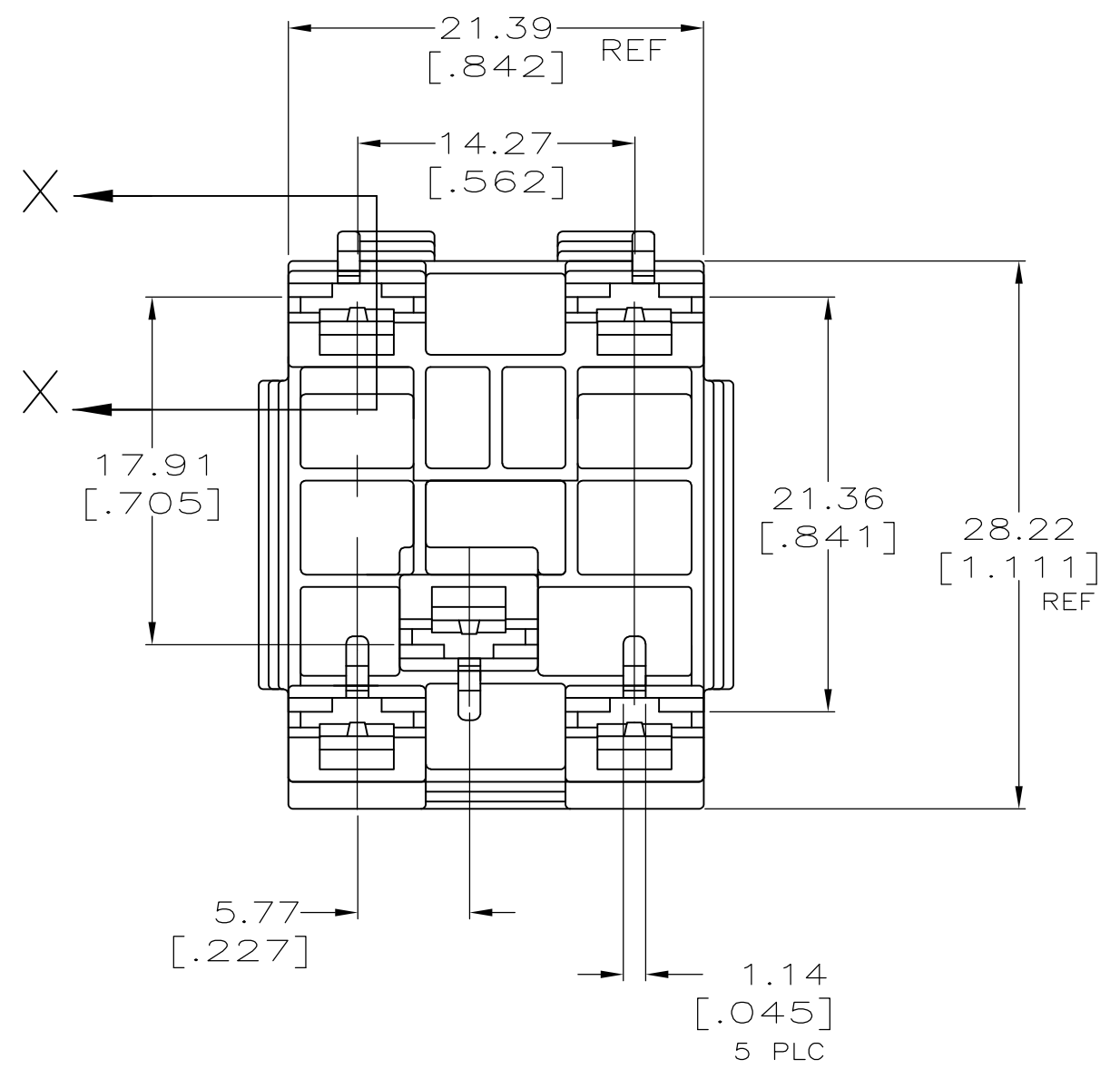
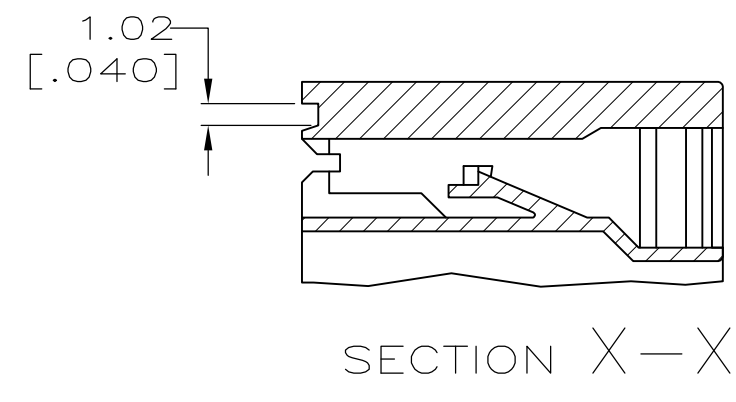


LOC	DIST	REVISIONS					
AF	50	P	LTR	DESCRIPTION	DATE	DWN	APVD
		D3		REVISED PER ECR-08-010239	25APR08	JR	PD

1 PRELIMINARY - NOT FOR PRODUCTION



66/6 NYLON, V0	521001-3
6/66 NYLON, V0	1 521001-2
6/6 NYLON, V2	521001-1
MATERIAL	PART NO.

THIS DRAWING IS A CONTROLLED DOCUMENT.		DWN	JR RUTH	1/28/92	Tyco Electronics Corporation Harrisburg, PA 17105-3608
DIMENSIONS: mm [INCHES]		CHK	MS FEHER	1/28/92	
TOLERANCES UNLESS OTHERWISE SPECIFIED:		APVD	R BEAVER	1/28/92	
0 PLC ± - 1 PLC ± - 2 PLC ± 0.25 [.010] 3 PLC ± - 4 PLC ± - ANGLES ± ± -		NAME		HOUSING, RECEPTACLE, FASTON, 4.78 [.187] SERIES	
MATERIAL SEE TABLE		FINISH COLOR-NATURAL		WEIGHT -	RESTRICTED TO -
CUSTOMER DRAWING		SIZE	A2	CAGE CODE	00779
		DRAWING NO	521001		REV
		SCALE	3:1	SHEET	1 OF 1
		REV	D3		

单击下面可查看定价，库存，交付和生命周期等信息

[>>TE Connectivity\(泰科\)](#)