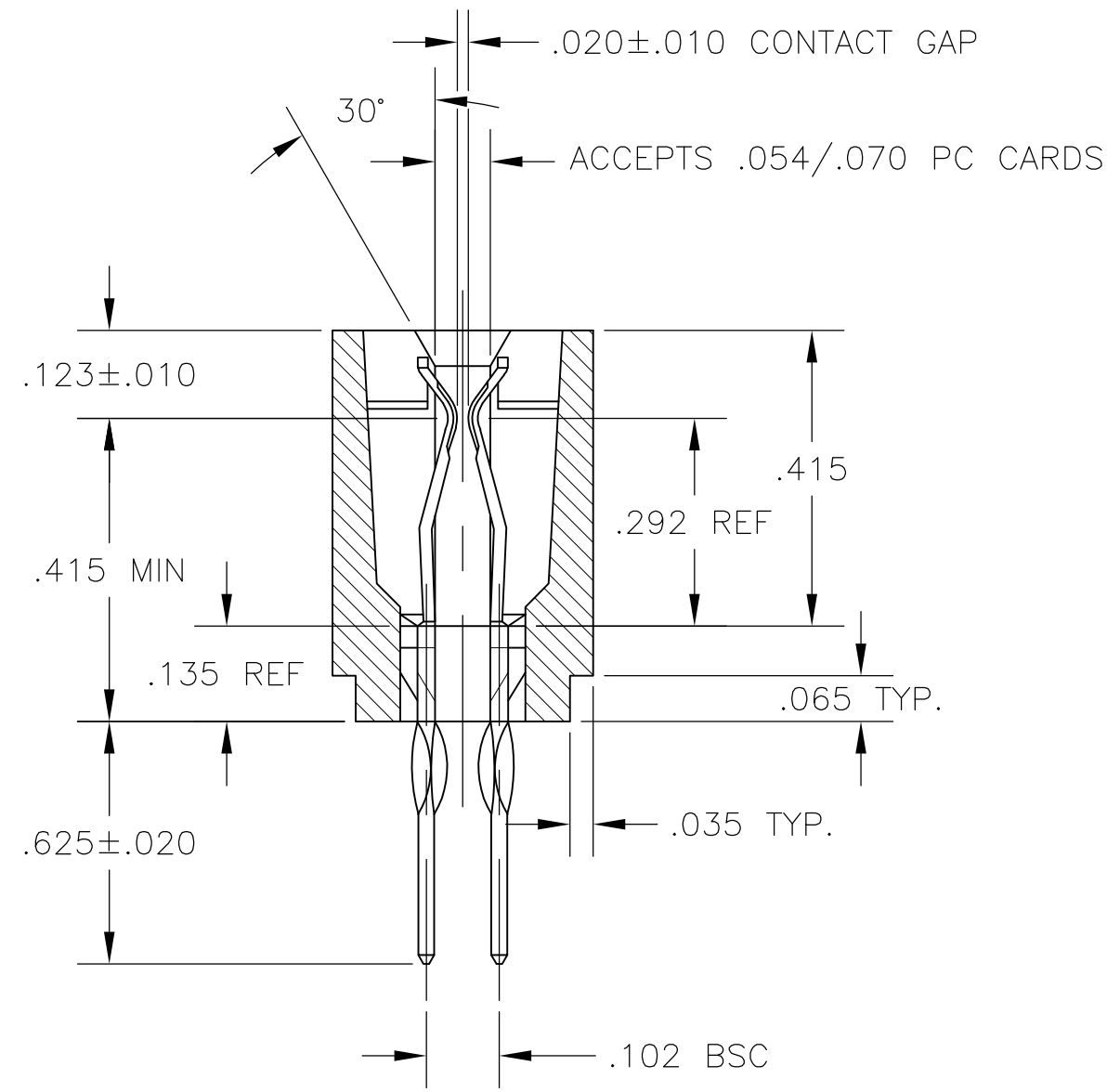
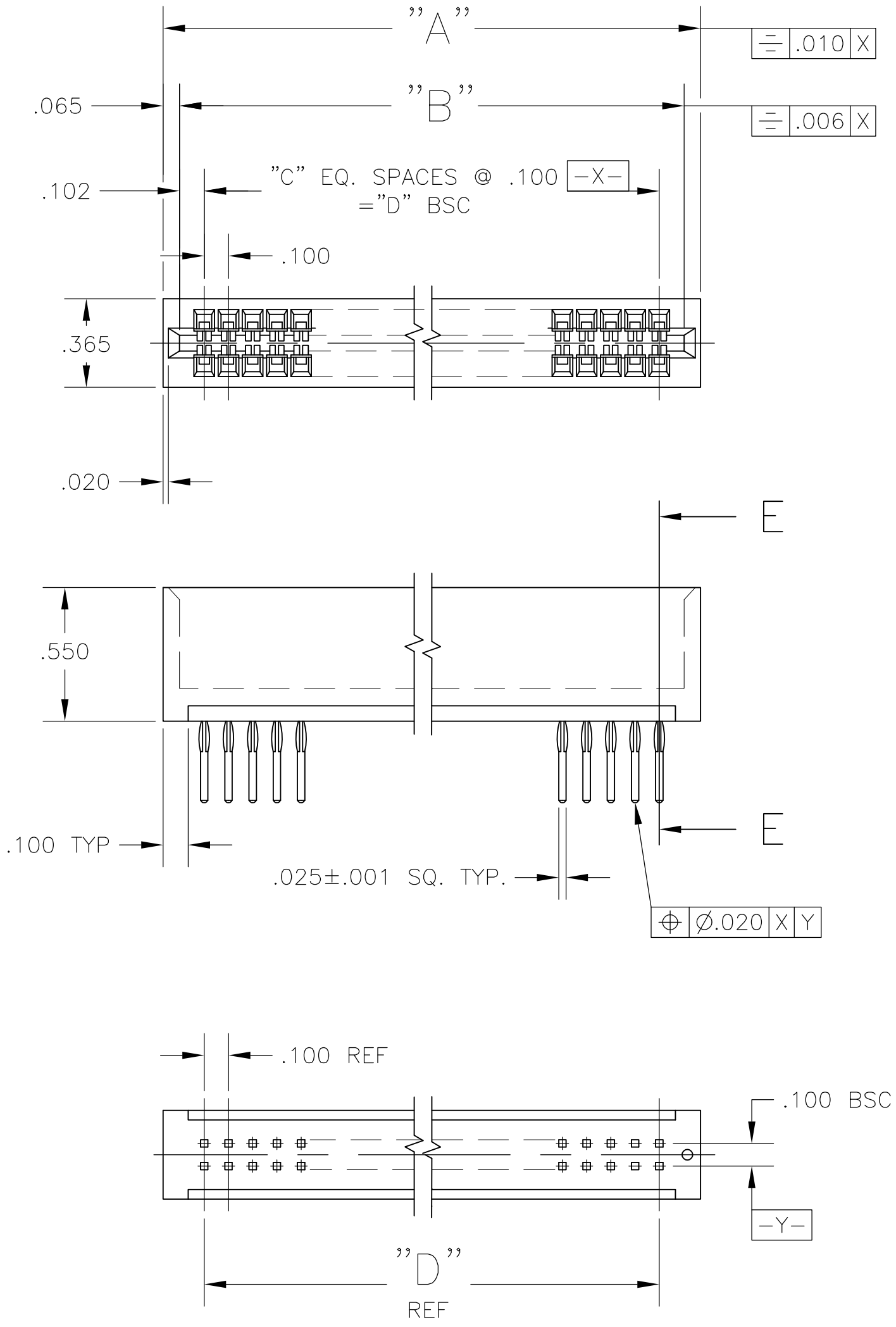


THIS DRAWING IS UNPUBLISHED. RELEASED FOR PUBLICATION
 © COPYRIGHT BY TYCO ELECTRONICS CORPORATION. ALL RIGHTS RESERVED.

LOC		DIST		REVISIONS			
P	LTR	DESCRIPTION		DATE	DWN	APVD	
AD	00	A		ECO-05-002939	27JUN06	BSV	MK
		A1		REVISED PER ECO-09-024927	03DEC09	KK	AEG

NOTES:

- 1 MATERIAL: 30% GLASS FILLED REINFORCED POLYESTER, FLAME RETARDANT PER UL 94V-0, COLOR-BLACK.
- 2 CONTACT MATERIAL: CDA #725 ALLOY, HARD TEMPER.
- 3 CONTACT PLATING:
45- .000005 IN. GOLD FLASH OVER .000050 MIN. NICKEL UNDERPLATE, WITH .000030 IN. GOLD PLATE ON THE CONTACT AREA AND THE SIGNIFICANT TAIL AREA.
- 4. RECOMMENDED PC BOARD HOLE SIZE:
-DRILLED HOLE SIZE OF .0453±.0010.
-COPPER PLATE .001-.003 THICK.
-TIN/LEAD PLATE .0003 MINIMUM.
-FINISHED HOLE SIZE OF .040±.003.
- 5. RECOMMENDED PC BOARD THICKNESS: .093/.125.
- 6 OBSOLETE PARTS: OBSOLETE CIS STREAMLINING PER D.RENAUD/D.SINISI



SECTION E-E
SCALE 4:1

6	OBSOLETE	9.900	99	10.104	10.234	C1D100PF45037
		8.900	89	9.104	9.234	C1D90PF45037
		6.900	69	7.104	7.234	C1D70PF45037
	"D" ±.005	"C" EQ. SPACES	"B" ±.005	"A" ±.010	HOLMBERG ASSY. NO.S	

THIS DRAWING IS A CONTROLLED DOCUMENT. DWN S.J.LAPRAIK 28MAR90
 CHK -
 APVD -
 PRODUCT SPEC -
 APPLICATION SPEC -
 MATERIAL -
 FINISH 3

Tyco Electronics Tyco Electronics Corporation
 Harrisburg, Pa 17105-3608

OBsolete NOT the LATEST REVISION

CONNECTOR ASSY, PRESS/FIT CARD EDGE
 .100 X .100 CENTRES, C1 SERIES
 (70, 90 AND 100 POSITION)

SIZE 100719C-1437264-2
 SCALE 2:1 SHEET 1 OF 1 REV A1

单击下面可查看定价，库存，交付和生命周期等信息

[>>TE Connectivity\(泰科\)](#)