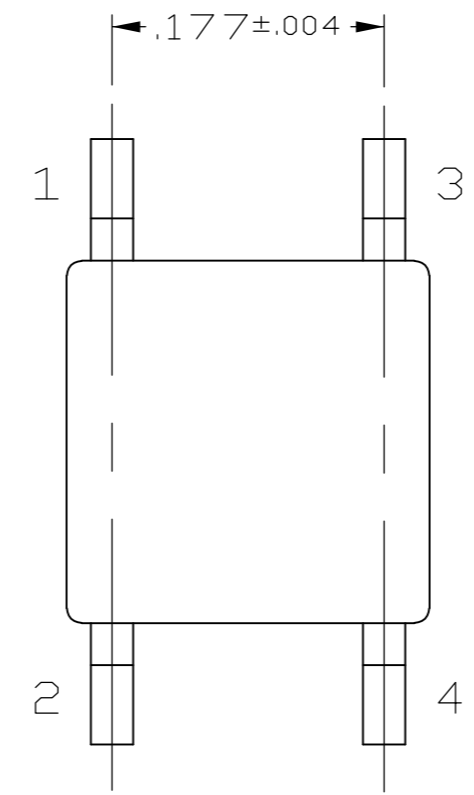
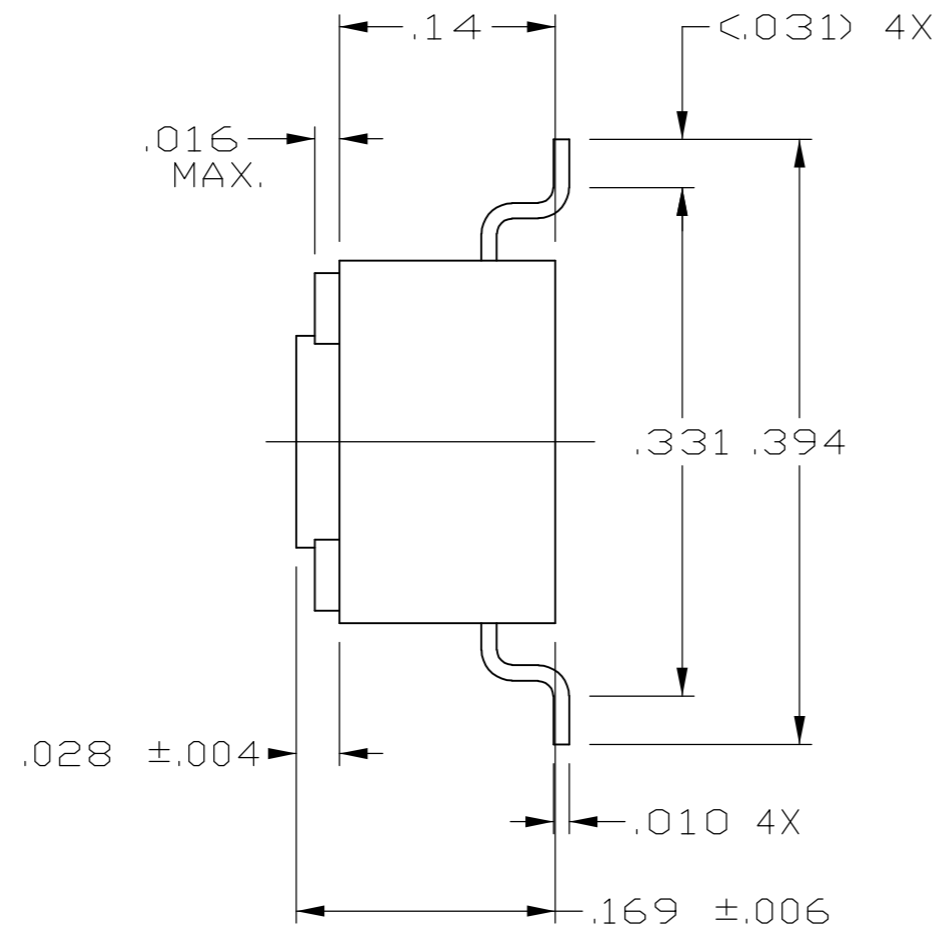
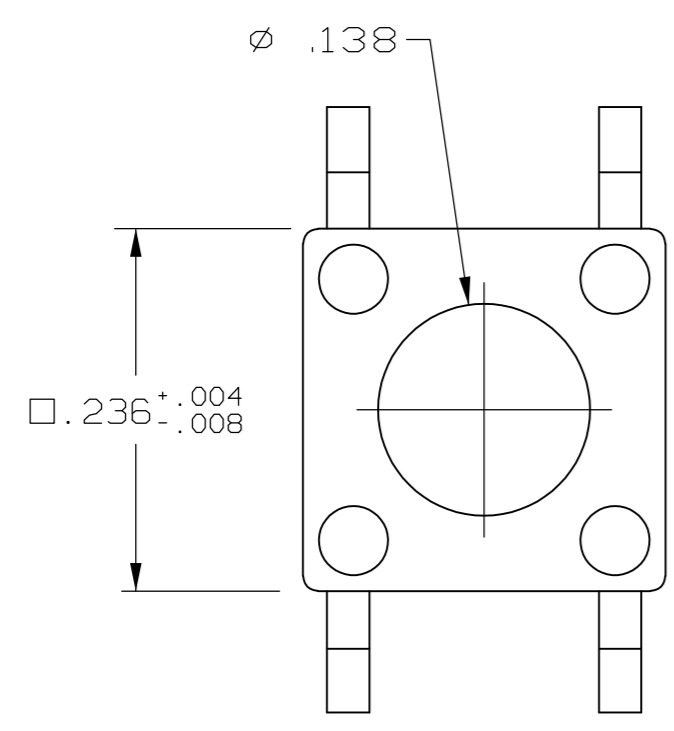


THIS DRAWING IS UNPUBLISHED. RELEASED FOR PUBLICATION
 © COPYRIGHT - By - ALL RIGHTS RESERVED.

LOC		DIST		REVISIONS			
P	LTR	DESCRIPTION	DATE	DWN	APVD		
B1		REVISED PER ECO-11-011262	06JUN11	HMR	MW		



TERMINAL NUMBERS

SPECIFICATIONS:

MATERIALS:

COVER: STEEL, TIN PLATE.
 ACTUATOR BUTTON: PA6T, GRAY.
 MOVING CONTACT: PHOS. BRONZE, SILVER CLAD
 FIXED CONTACT/TERMINAL: BRASS, SILVER PLATE

ELECTRICAL:

MAX CONTACT RATING: 50MILLIAMPS@24V DC
 MIN CONTACT RATING: 10MICROAMPS@1V DC
 INITIAL CONTACT RESISTANCE: 100 MILLIOHMS MAX
 INSULATION RESISTANCE: 100 MEGOHMS AT 100 VDC MIN.
 DIELECTRIC STRENGTH: 500 VAC
 LIFE EXPECTANCY: 100,000 CYCLES MIN.

MECHANICAL:

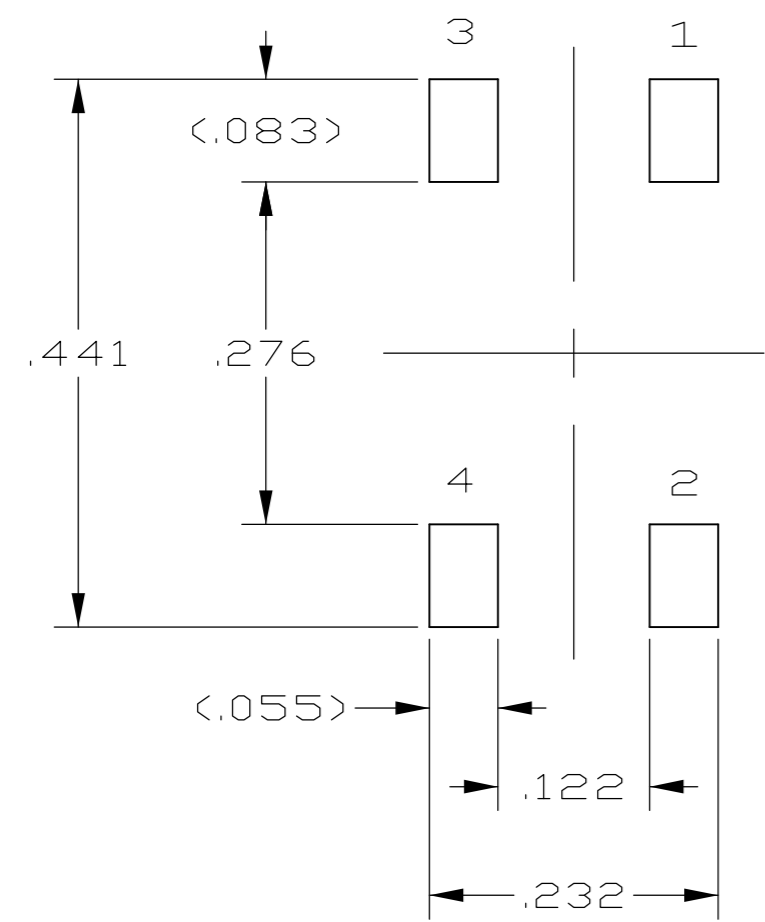
ACTUATION FORCE: 160 ± 50g
 ACTUATION TRAVEL: .010 +.008/- .004

ENVIRONMENTAL:

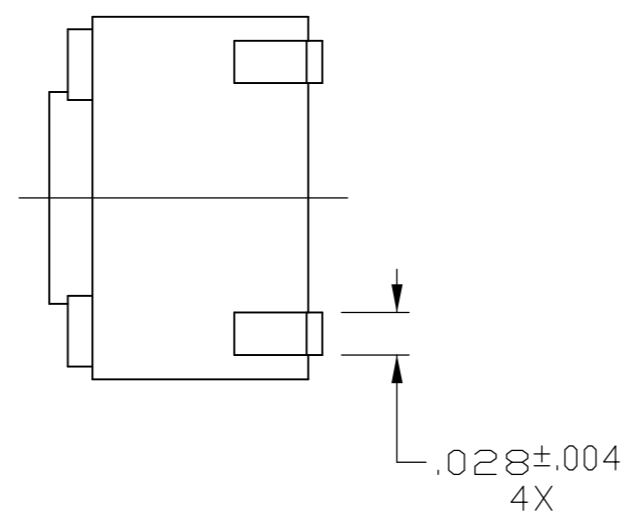
OPERATING TEMPERATURE: -35°C TO +85°C
 STORAGE TEMPERATURE: -35°C TO +85°C
 SOLDER HEAT RESISTANCE PER 109-202, COND B.

NOTES:

- ALL MATERIALS AND FINISHES SHALL COMPLY WITH EU DIRECTIVE 2002/95/EC OF 27JAN2003 (ROHS)
- FOR TAPE AND REEL SPECIFICATIONS (SEE PAGE 2)
- PARTS ARE PACKAGED (ACTUATOR BUTTON FACE DOWN)



RECOMMENDED PAD LAYOUT
 TOLERANCE ±.002 UNLESS
 OTHERWISE NOTED



()-INDICATES MOMENTARY POSITION		
CIRCUIT CHARACTERISTICS		
CONTACT POSITION		CIRCUIT DIAGRAM
OFF	(ON)	
	1 - 3 2 - 4	

THIS DRAWING IS A CONTROLLED DOCUMENT.		DWN	M.BINNER	05JUL2007		TE Connectivity			
DIMENSIONS: INCHES		CHK	M.SARVER	05JUL07		NAME			
TOLERANCES UNLESS OTHERWISE SPECIFIED:		APVD	M.SARVER	05JUL07		MICRO MINIATURE PUSHBUTTON SWITCH FSM2JSMATR			
0 PLC ± - 1 PLC ± - 2 PLC ± - 3 PLC ± .012 4 PLC ± - ANGLES ± - FINISH -		PRODUCT SPEC	APPLICATION SPEC			SIZE	CAGE CODE	DRAWING NO	RESTRICTED TO
MATERIAL -		WEIGHT	-		A2	00779	C=7-1437565-1	-	
		CUSTOMER DRAWING		SCALE	1:1	SHEET	1 OF 1	REV	B1

单击下面可查看定价，库存，交付和生命周期等信息

[>>TE Connectivity\(泰科\)](#)