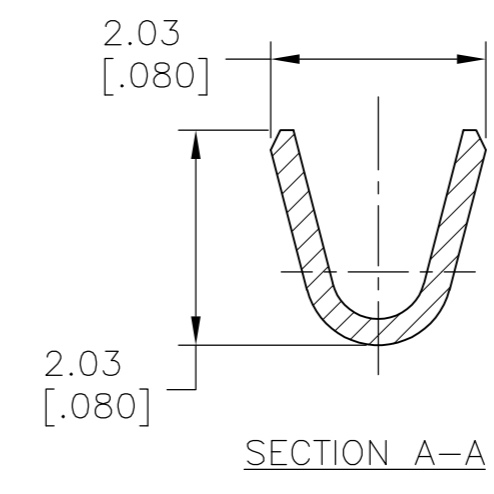
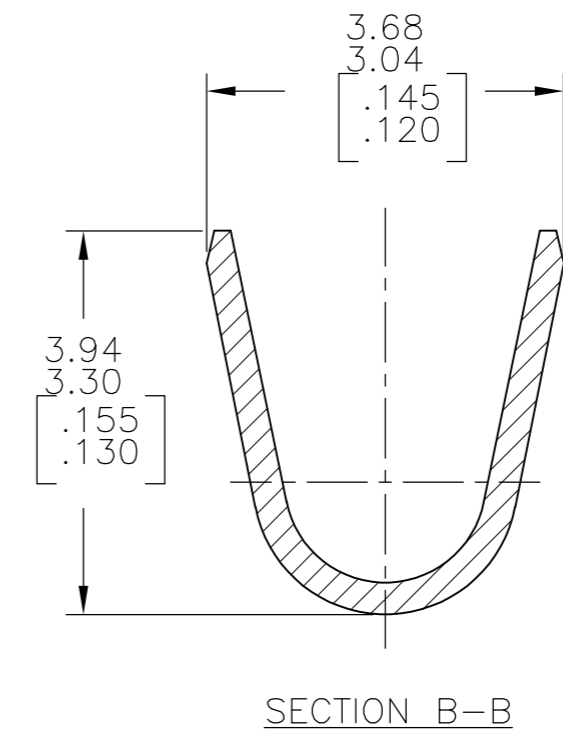
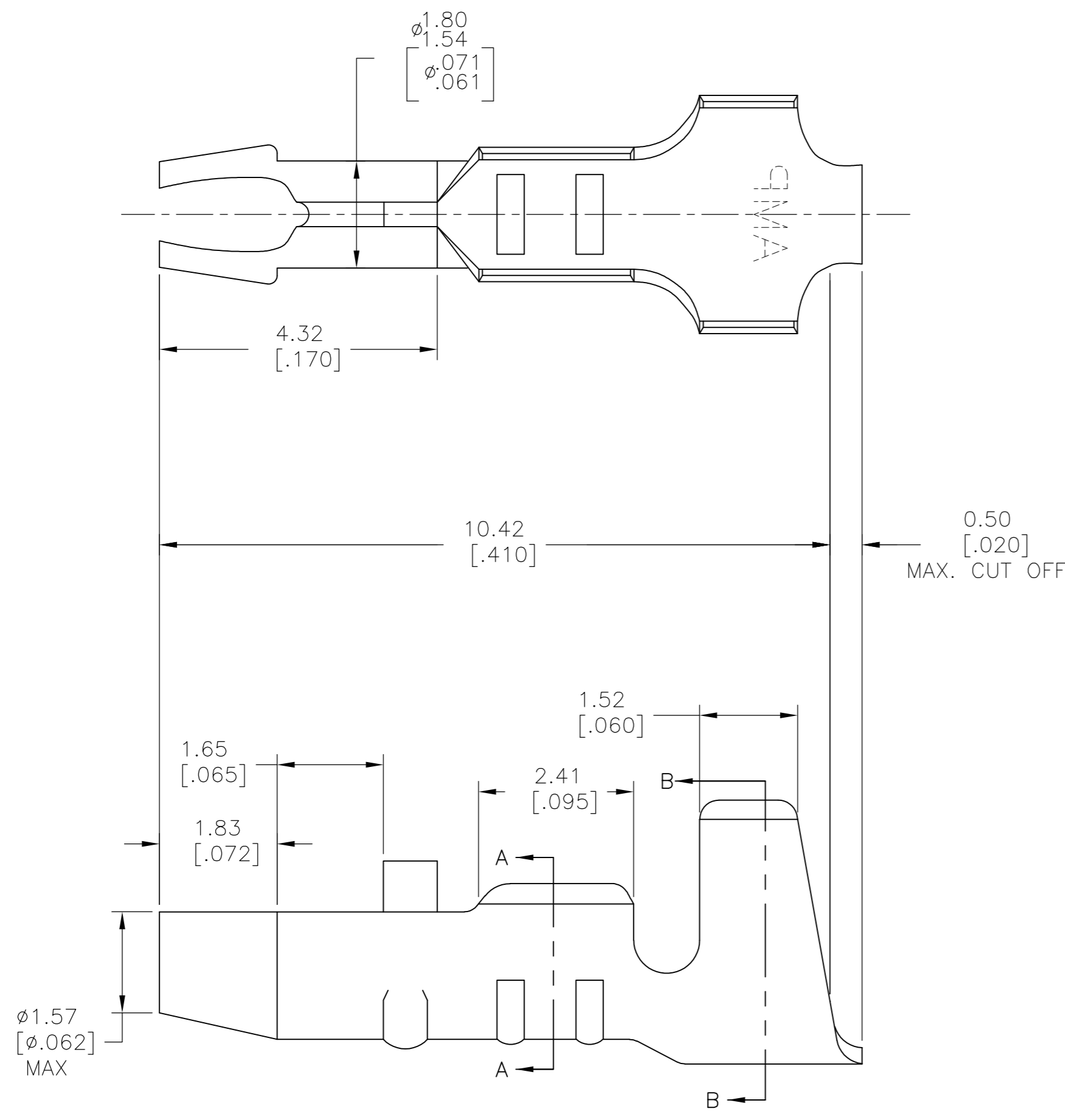


THIS DRAWING IS UNPUBLISHED. RELEASED FOR PUBLICATION
 © COPYRIGHT - By - ALL RIGHTS RESERVED.

LOC		DIST		REVISIONS			
P	LTR	DESCRIPTION		DATE	DWN	APVD	
	C1	REDRAWN PER ECR-15-001205		29JAN2015	NK	CJ	

- CONNECTS #24-#20 AWG STRANDED WIRE.
- INSULATION $\phi 1.52-\phi 2.79$ [.060-.110].
- TO BE SOLDERED INTO A 1.60 [.063] THK. PC BOARD WITH A 1.90 [.075] 1.68 [.066] HOLE DIA.



SUPERSEDED BY 154645-2	PRE TIN	BRASS	154645-4
OBSOLETE	POST TIN OVER NICKEL	PHOS BRZE.	154645-3
OBSOLETE	POST TIN OVER NICKEL	BRASS	154645-2
OBSOLETE	NONE	BRASS	154645-1
	FINISH	MATERIAL	PART NUMBER

THIS DRAWING IS A CONTROLLED DOCUMENT.		DWN	29JAN2015	 TE Connectivity AMP-IN TERMINAL			
DIMENSIONS: mm [INCHES]		CHK	29JAN2015				
TOLERANCES UNLESS OTHERWISE SPECIFIED:		APVD	29JAN2015				
0 PLC ± - 1 PLC ± - 2 PLC ± 0.25 [.010] 3 PLC ± - 4 PLC ± - ANGLES ± -		NAME					
WIRE RANGE	MATERIAL	FINISH	WEIGHT	SIZE	CAGE CODE	DRAWING NO	RESTRICTED TO
24-20	SEE TABLE	SEE TABLE	-	A2	00779	C=154645	-
CUSTOMER DRAWING				SCALE	14:1	SHEET	1 OF 1
				REV	C1		

单击下面可查看定价，库存，交付和生命周期等信息

[>>TE Connectivity\(泰科\)](#)