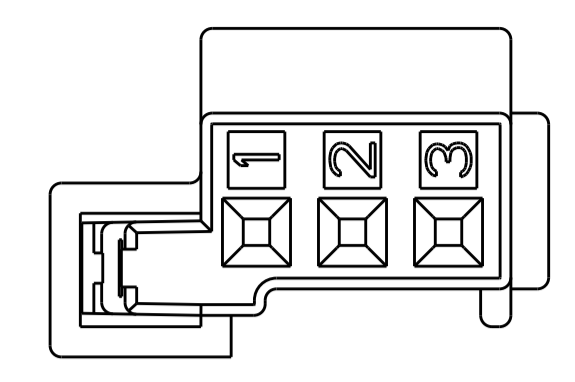
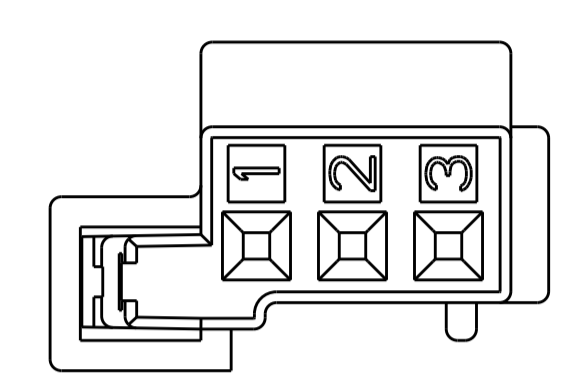


REVISIONS				
P.	LTM	DESCRIPTION	DATE	DWN APVD
A		UPDATED VIEWS AND DIMENSIONS	18JAN2013	PR PR
A1		REVISED PER ECO-15-001850	10FEB2015	DD MB
A2		REVISED PER ECO-18-009997	26JUN2018	JMS AH

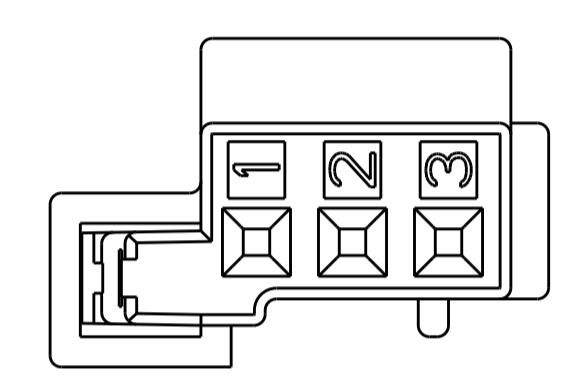
KEYING



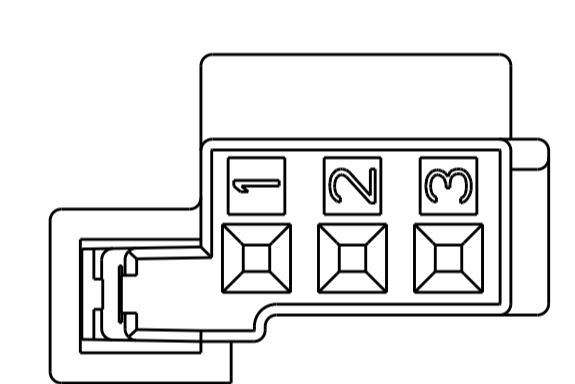
KEY CODE "A"
SCALE 5:1



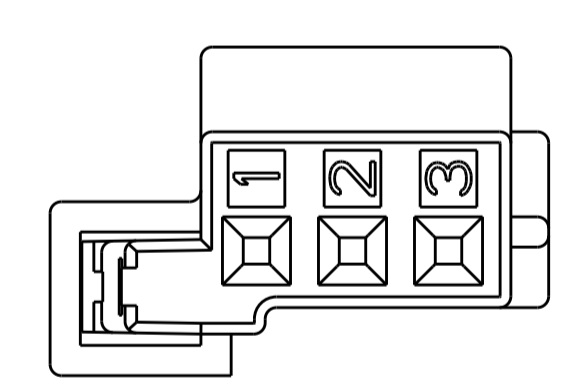
KEY CODE "B"
SCALE 5:1



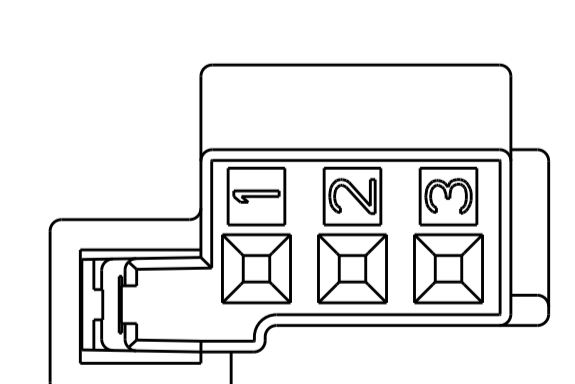
KEY CODE "C"
SCALE 5:1



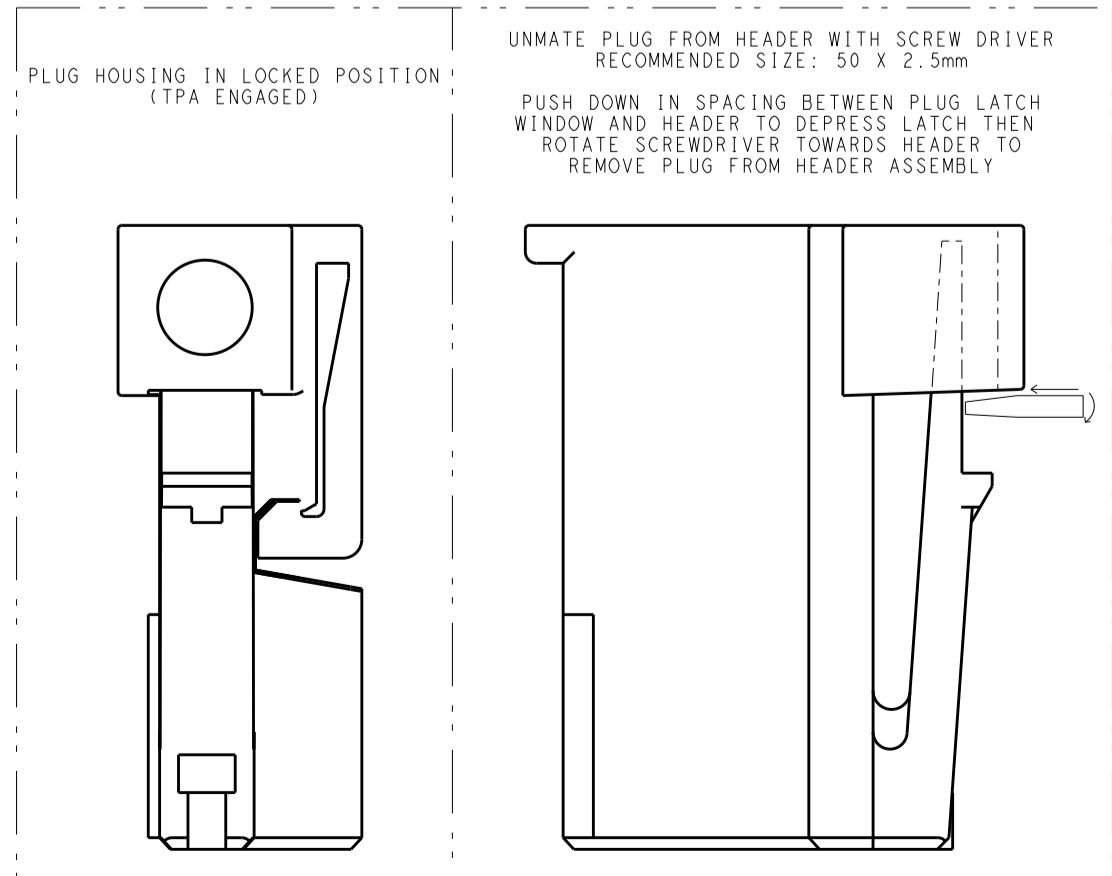
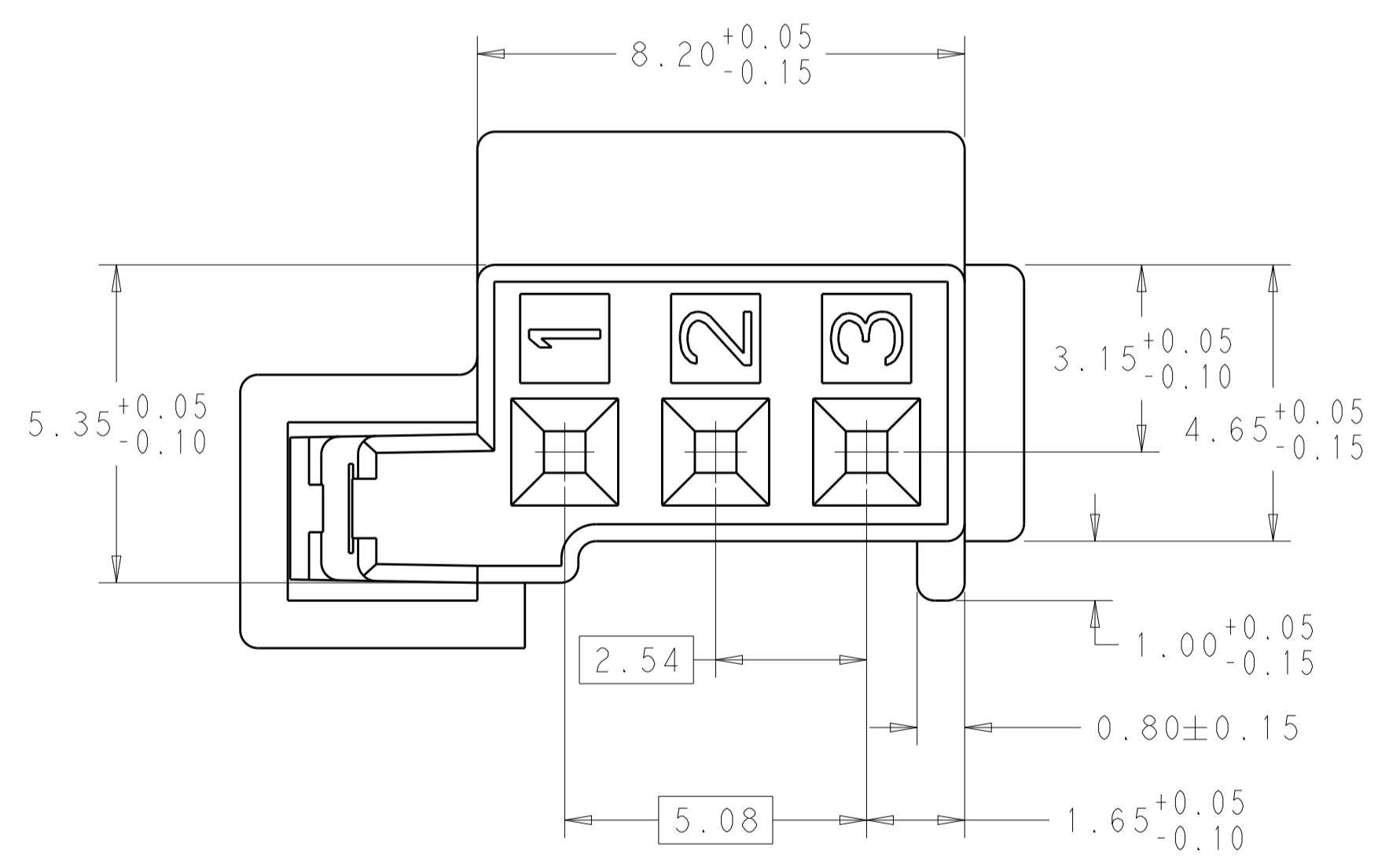
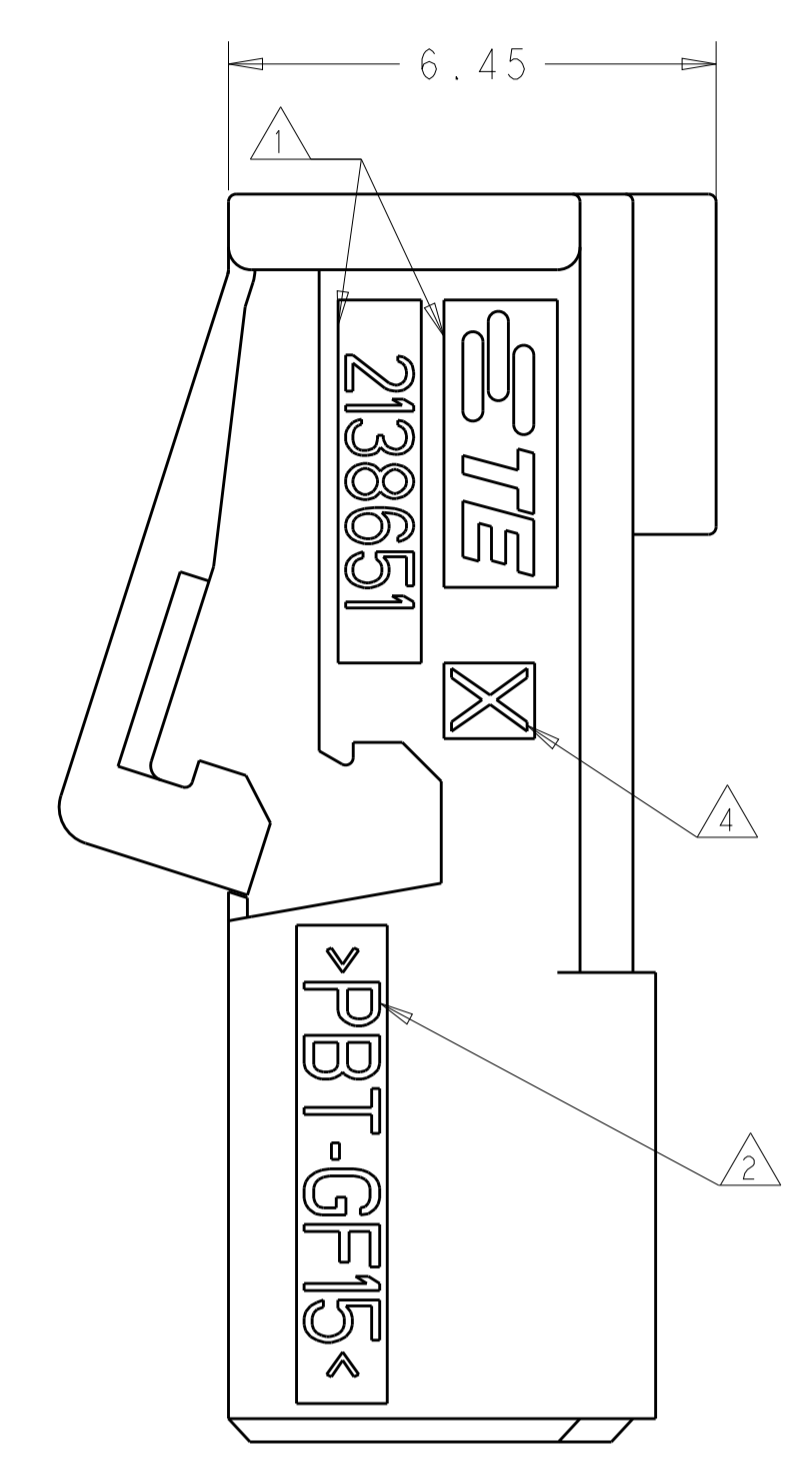
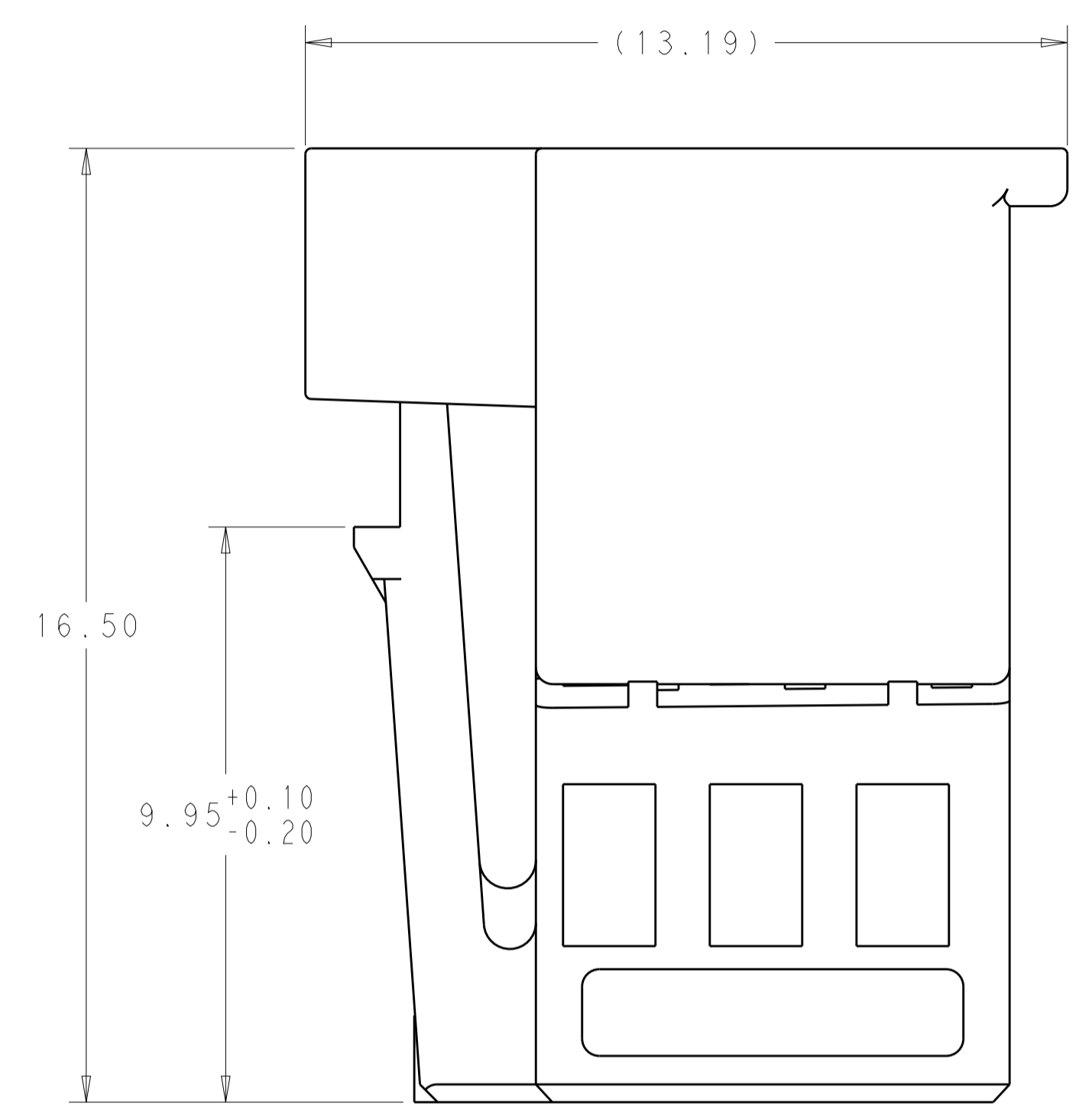
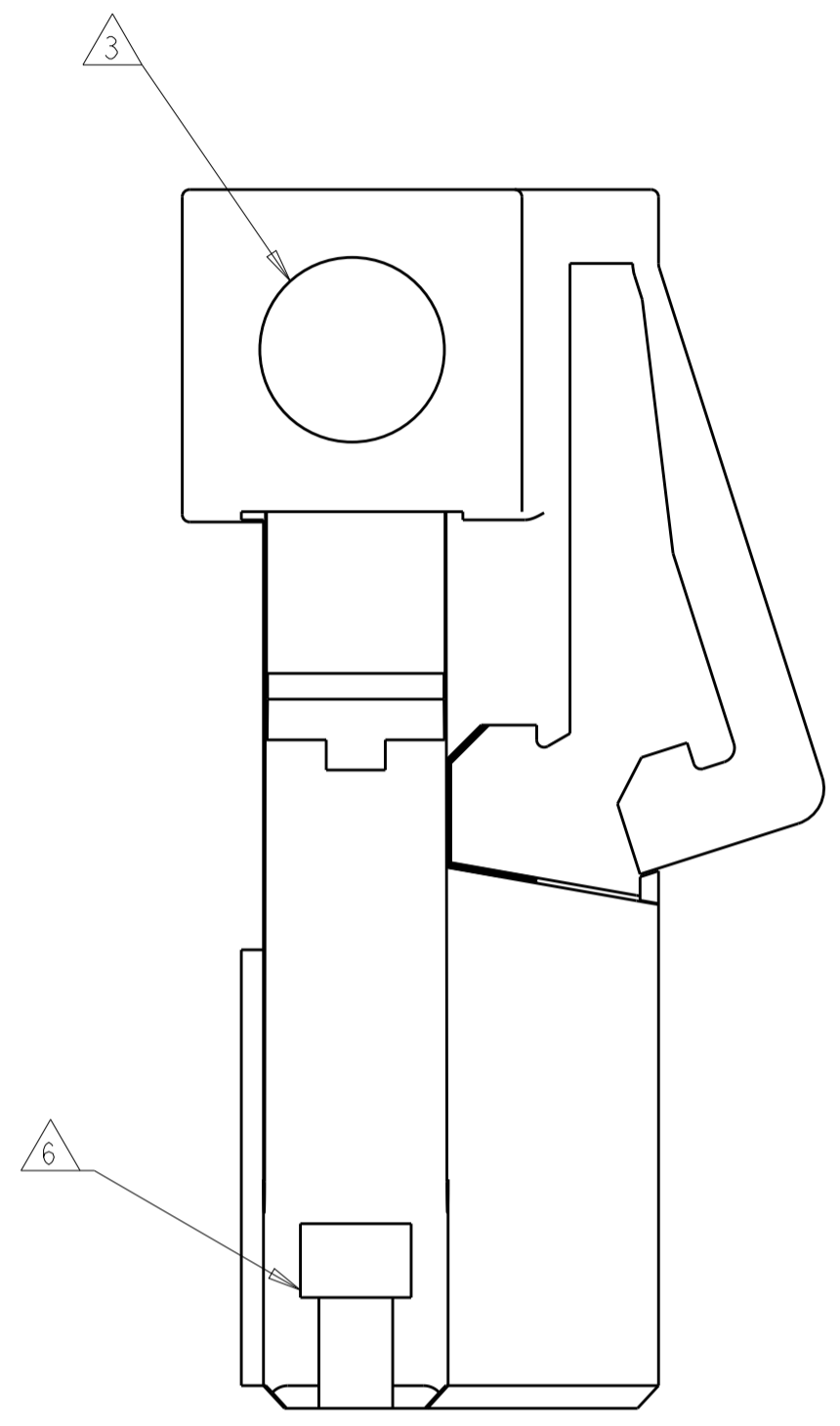
KEY CODE "D"
SCALE 5:1



KEY CODE "E"
SCALE 5:1



KEY CODE "F"
SCALE 5:1



NOTE(S):

- ① COMPANY LOGO AND PART NUMBER
- ② MATERIAL IDENTIFIER
- ③ DATE CODE WHEEL
- ④ MOLD CAVITY ID
- 5. MAX WIRE SIZE RANGE FROM 0.75mm² FLR. SEE CABLE HARNESS FOR NUMBER OF CABLES. CURRENT CARRYING CAPACITY FOR CONTACT LOCATED IN MICRO QUADLOCK SYSTEM PRODUCT SPECIFICATION: 108-18030
- ⑥ OPTIONAL VOID CORING

GREEN	E	PBT-GF15	3 POSN MQS PLUG HOUSING	5-2138651-1
VIOLET	D	PBT-GF15		4-2138651-1
NATURAL	B	PBT-GF15		2-2138651-1
BLACK	A	PBT-GF15		1-2138651-1
COLOR	KEY	MATERIAL	DESCRIPTION	TE P/N

THIS DRAWING IS A CONTROLLED DOCUMENT.		DWN: R. SANTOSH 12OCT2011	TE Connectivity	
DIMENSIONS: mm		CHK: P. ROMAN 12OCT2011		
TOLERANCES UNLESS OTHERWISE SPECIFIED:		APVD: P. ROMAN 12OCT2011		
0 PLC ±0.3	1 PLC ±0.1	NAME: PLUG HOUSING, 3P MQS UNSEALED (1-PIECE)	SIZE: A1	CAGE CODE: 00779
2 PLC ±0.1	3 PLC ±0.1	PRODUCT SPEC:	DRAWING NO: C=2138651	SCALE: 10:1
4 PLC ±0.1	5 PLC ±0.1	APPLICATION SPEC:	REVISION: A2	SHEET: 1 OF 1
ANGLES ±0.1	FINISH:	WEIGHT:	CUSTOMER DRAWING	REV: A2

单击下面可查看定价，库存，交付和生命周期等信息

[>>TE Connectivity\(泰科\)](#)