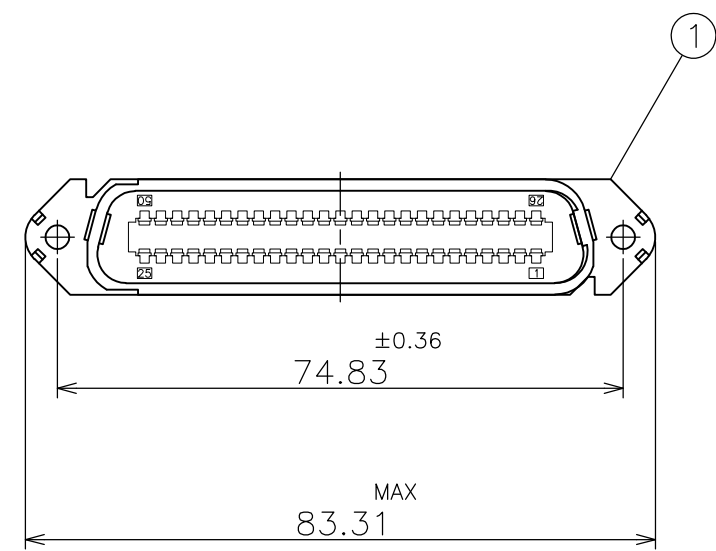
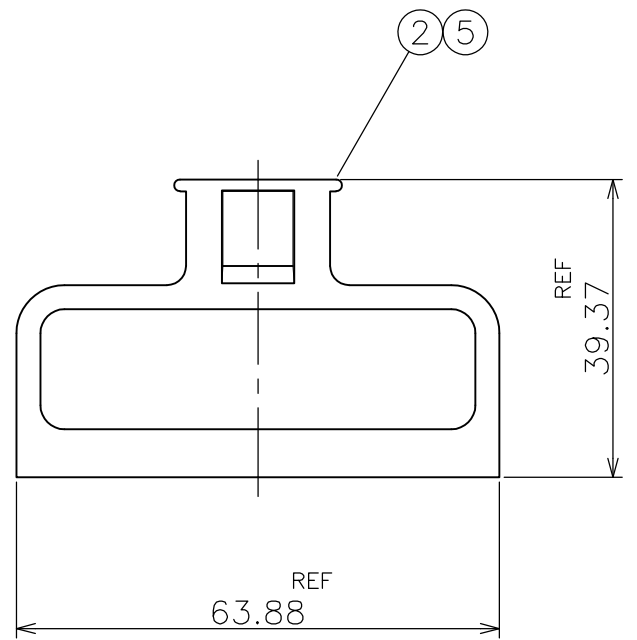
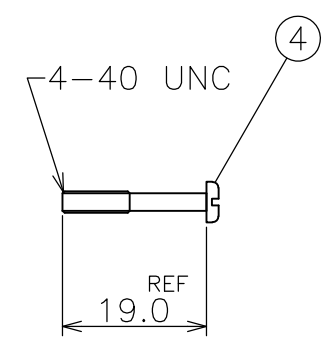
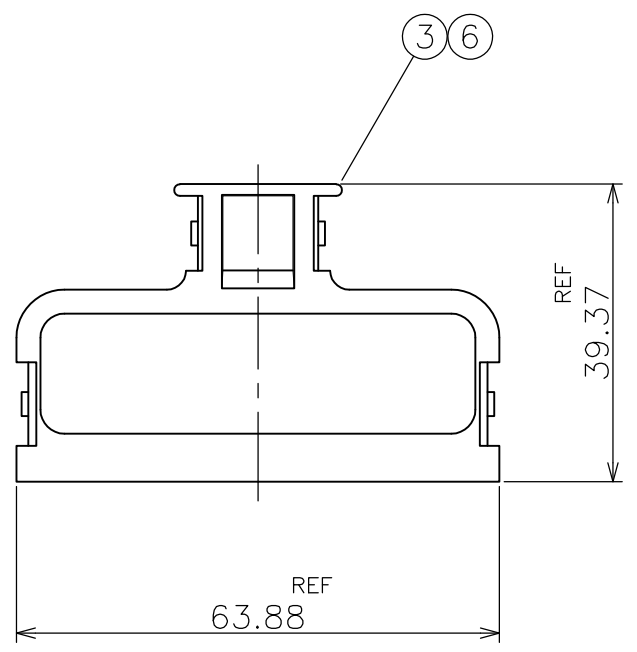


THIS DRAWING IS UNPUBLISHED. RELEASED FOR PUBLICATION AUG ,1992.  
 © COPYRIGHT 1992 By - ALL RIGHTS RESERVED.

LOC	DIST	REVISIONS			
P	LTR	DESCRIPTION	DATE	DWN	APVD
J		A1	REVISED ECR-12-013666	26MAR13	K.M E.T



1. THESE COMPONENTS MUST BE PACKED THE CONDITION OF LOOSE PIECE IN POLYETHYLENE BAG.



QTY REQD PER ASSY	QTY REQD PER ASSY	NAME	CABLE RANGE DIAMETER	PART NO.	ITEM NO.
1	-	CABLE COVER KIT 180°	∅12.19~∅13.97	552008-1	5,6
+	1	CABLE COVER 180° (GRV SIDE)	∅10.92~∅12.45	4-552007-1	4
+	1	CABLE COVER 180° (TNG SIDE)		4-552006-1	3
2	1	CAPTIVE PAN HEAD SCREW	—//—	5229911-1	2
1	1	CHAMP PLUG 50P	—//—	229974-1	1
-2	-1	NAME	CABLE RANGE DIAMETER	PART NO.	ITEM NO.

THIS DRAWING IS A CONTROLLED DOCUMENT.		DWN C.WANG 2AUG05	TE Connectivity <b>CHAMP PLUG CABLE COVER KIT</b>			
DIMENSIONS: mm		CHK I.WANG 2AUG05				
TOLERANCES UNLESS OTHERWISE SPECIFIED:		APVD S.YAO 2AUG05				
0 PLC ± 1 PLC ± 2 PLC ± 3 PLC ± 4 PLC ± ANGLES ± MATERIAL FINISH		NAME				
MATERIAL		PRODUCT SPEC	SIZE	CAGE CODE	DRAWING NO	RESTRICTED TO
		APPLICATION SPEC	A3 00779 C-5177578			
		WEIGHT	CUSTOMER DRAWING		SCALE 1:1	SHEET 1 OF 1
					REV A1	

单击下面可查看定价，库存，交付和生命周期等信息

[>>TE Connectivity\(泰科\)](#)