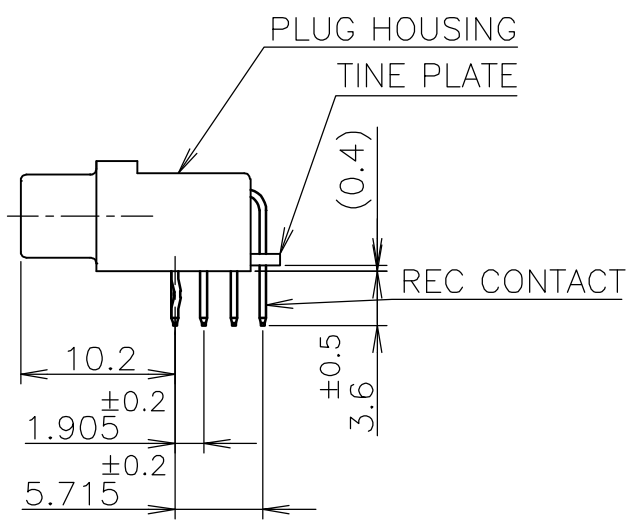
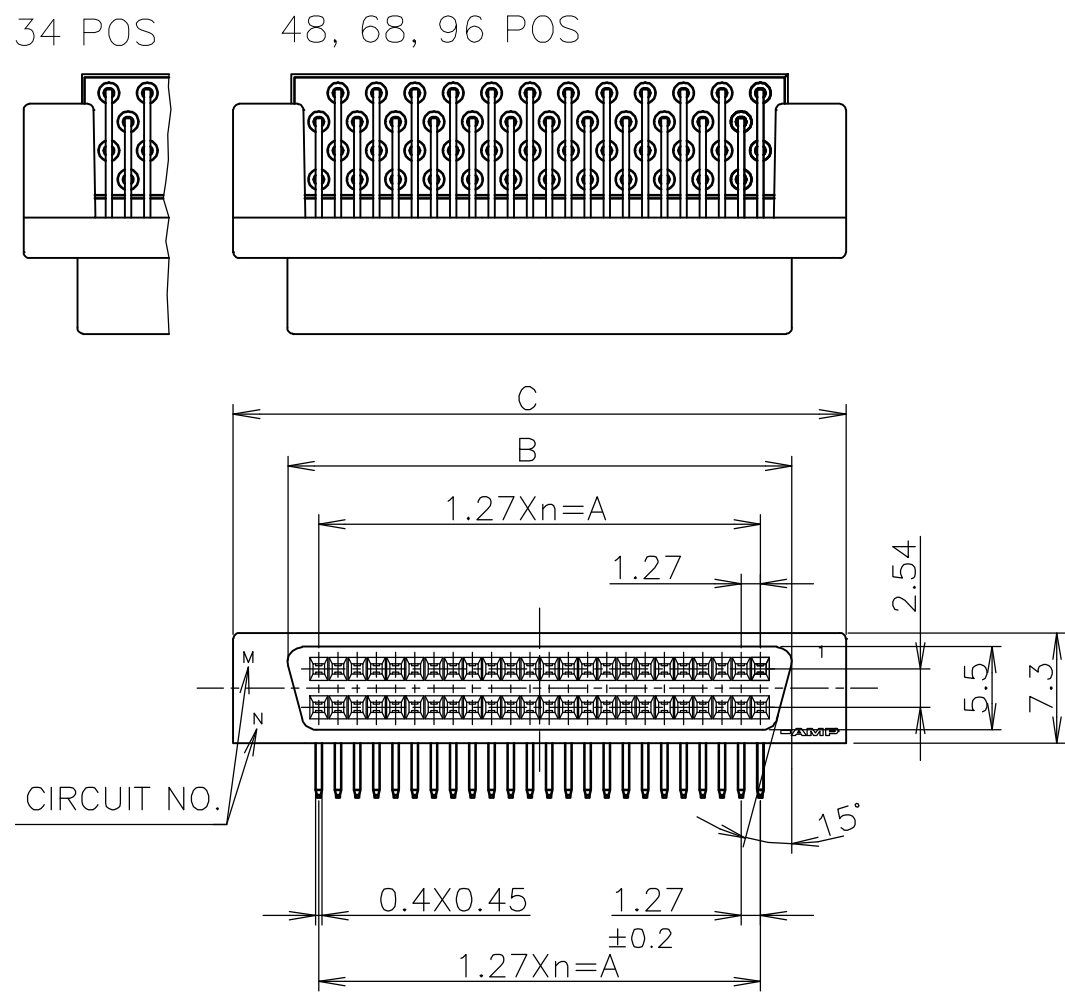
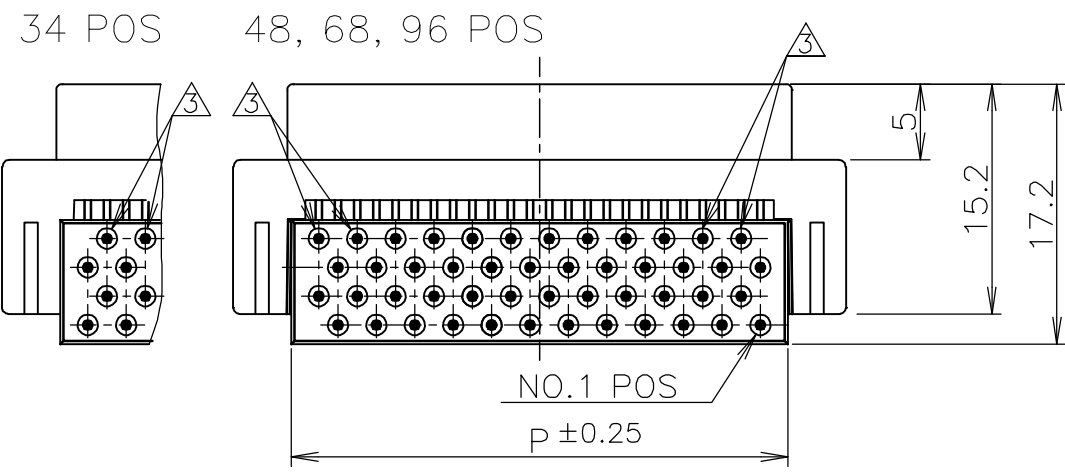
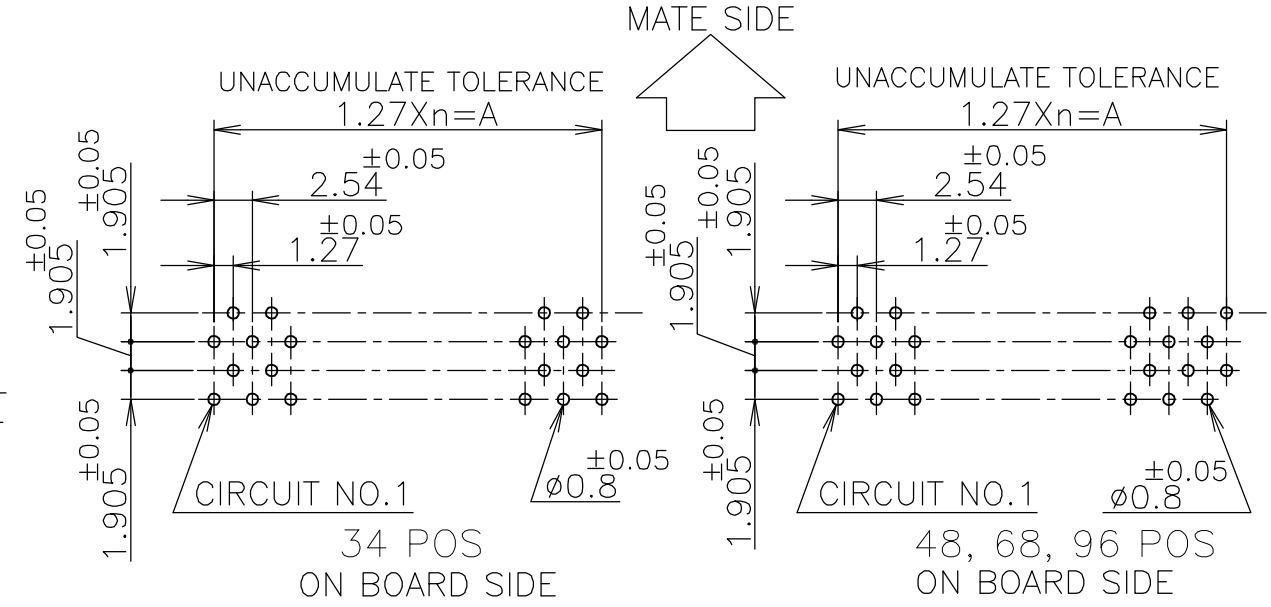


THIS DRAWING IS UNPUBLISHED. RELEASED FOR PUBLICATION DEC ,1987.
 © COPYRIGHT 1987 BY TYCO ELECTRONICS CORPORATION. ALL RIGHTS RESERVED.

LOC	DIST	REVISIONS		
J	/	P	LTR	DESCRIPTION
		A	RELEASED	DATE: 16MAR05
				DWN: L.Z
				APVD: I.E.



- ① MATERIAL AND FINISH
 PLUG HOUSING AND TINE PLATE ; THERMOPLASTIC (UL94V-0) COLOR: BLACK
 REC. CONTACT ; COPPER ALLOY FINISH, OVER NICKEL
 MATING END: 0.0002 MIN. OR 0.00076 MIN. GOLD
 TERMINATION END: TIN OVER SEALING TREATMENT.
- 2 P.C.B. LAYOUT AND P.C.B. TREATMENT(REF.)
 USE A P.C.B. SURFACE ARE TREATED WITH SOLDER RESIST.
- ③ KINK POSITIONS(4 POSITIONS).



Au PL. 0.00076 MIN	45.51	68	34	41.91	46.08	53.22	33	68	8-5174682-7
Au PL. 0.0002 MIN	45.51	68	34	41.91	46.08	53.22	33	68	3-5174682-7
REMARK	P	N	M	A	B	C	n	POS.	PART NO.

GENERAL TOLERANCE
 一般公差
 10 ≥ : ±0.2
 30 ≥ > 10: ±0.25
 100 ≥ > 30: ±0.3
 ANGLES: ±3°

THIS DRAWING IS A CONTROLLED DOCUMENT.

DIMENSIONS: 單位: 耗 MM

TOLERANCES UNLESS OTHERWISE SPECIFIED: 一般公差

0 PLC ± -
 1 PLC ± -
 2 PLC ± -
 3 PLC ± -
 4 PLC ± -
 ANGLES ± -

MATERIAL 材料

FINISH 仕上

DWN: GAVIN ZHANG 06JUL04
 CHK: T. KAWAMAE 06JUL04
 APVD: I. ENOMOTO 06JUL04

PRODUCT SPEC 製品規格 108-60036
 APPLICATION SPEC 取付適用規格

tyco Tyco Electronics AMP K.K. Kawasaki, Japan
 PLUG ASSY HORIZONTAL (W/KINK)
 AMPLIMITE .050 SERIES I B-TO-B CONN.

SIZE: A3 CAGE CODE: 00779 DRAWING NO: 5174682 RESTRICTED TO: -

CUSTOMER DRAWING SCALE: 2:1 SHEET: 1 OF 1 REV: A

单击下面可查看定价，库存，交付和生命周期等信息

[>>TE Connectivity\(泰科\)](#)