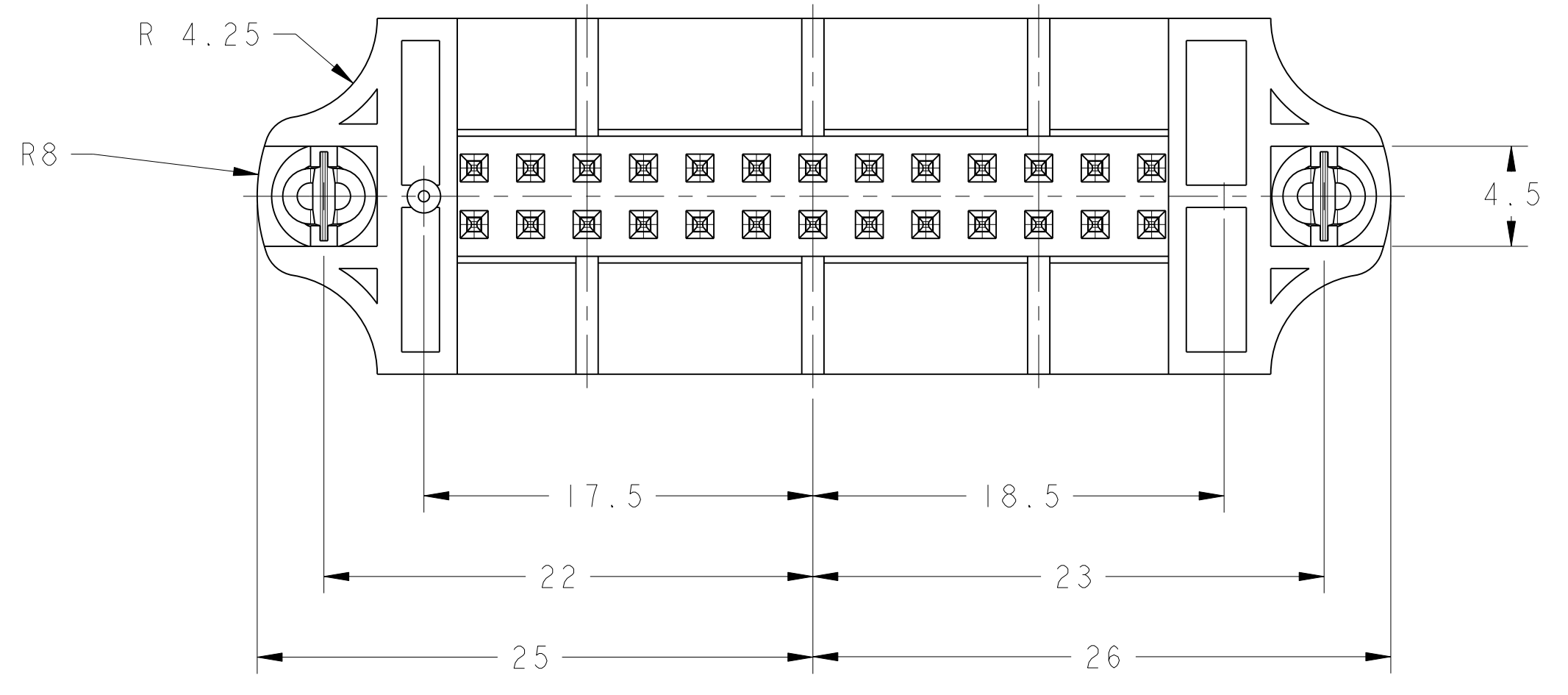
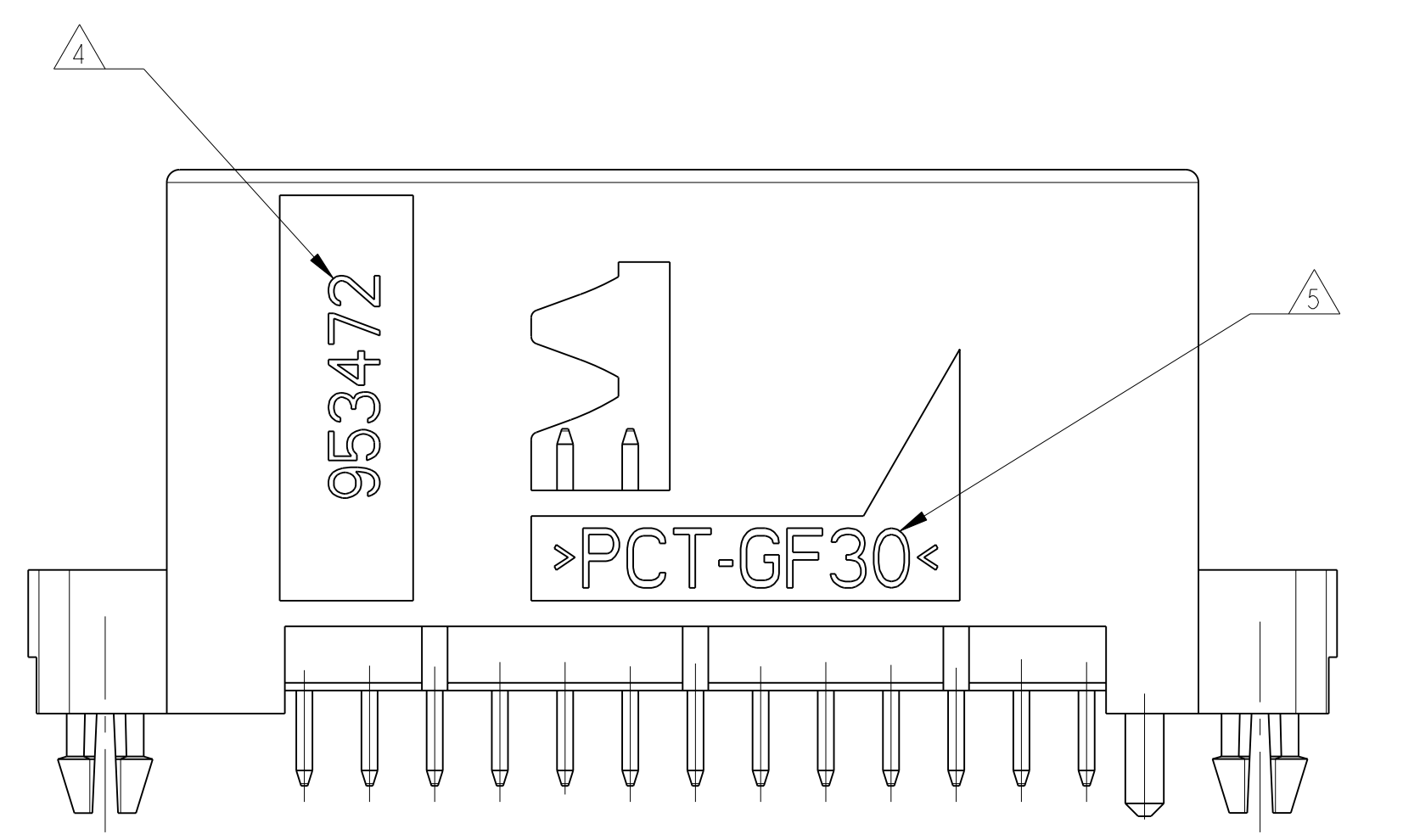
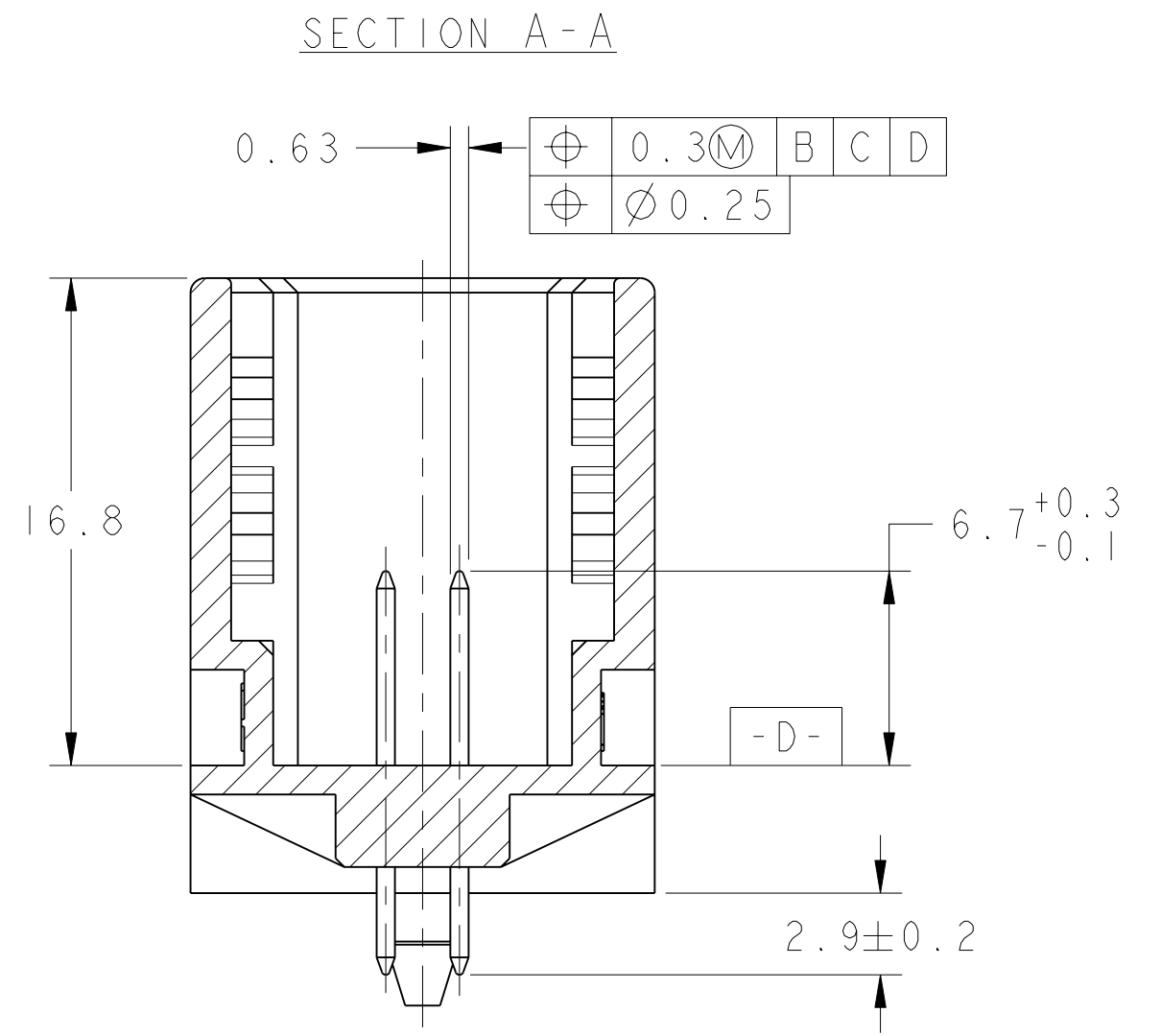
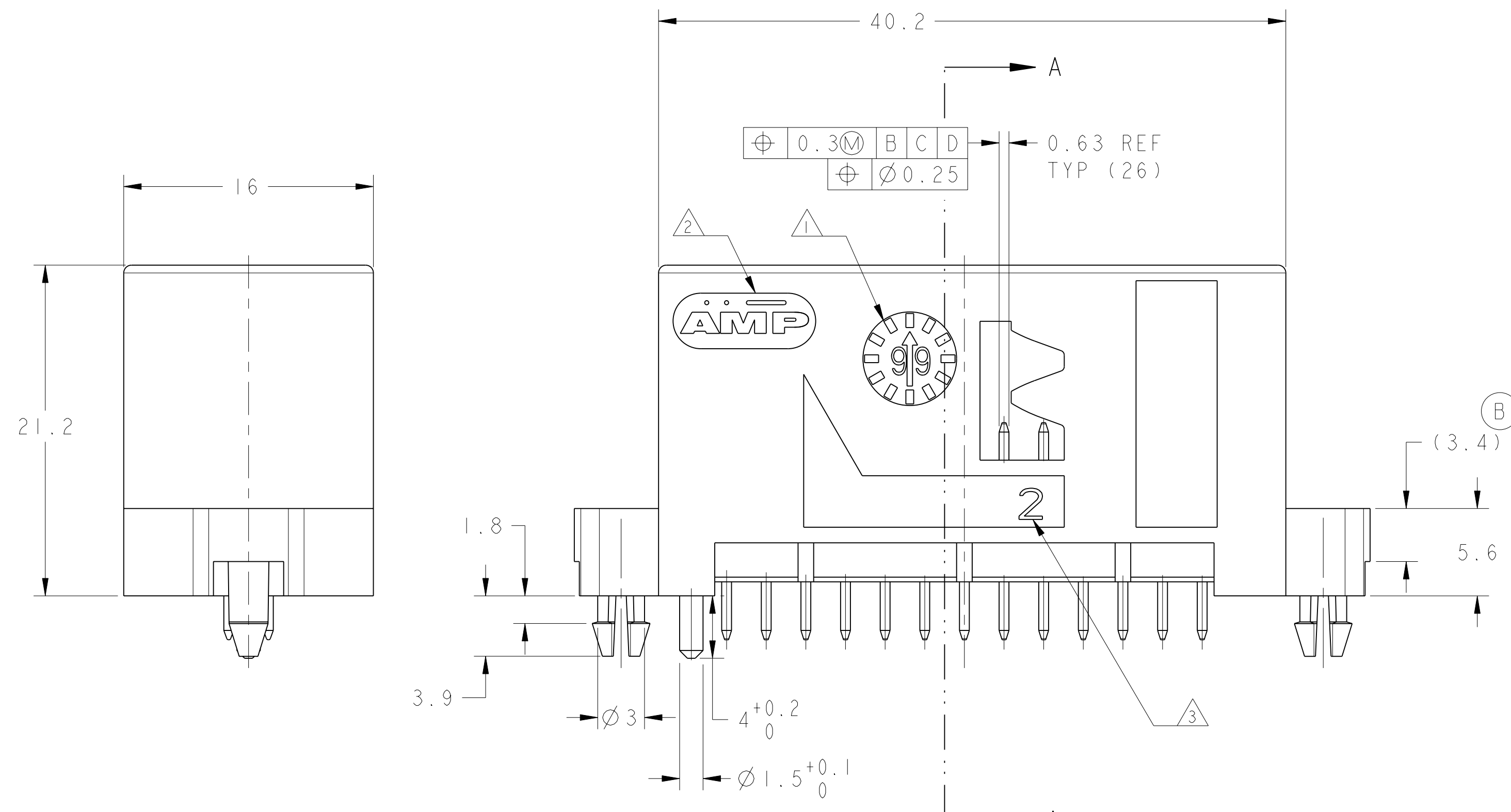


LOC		DIST		REVISIONS			
F	7	P	REV	DESCRIPTION MODIFICATIONS	DATE	DWN BESS	APVD APP
		A		AJOUT DES NVLES REFERENCES: 1-953472-1/2	20-JAN-03	NT, T	J, L
		B		EPAISSIR COLERETTE (COTE 3.4)	10-FEB-03	NT, T	J, L
		C		LEAD REMOVED	04FEB2008	M, V	J, L
		D		AJOUT NOUVELLE VERSION SUR FEUILLE 2/2	18AUG2009	AD	JL

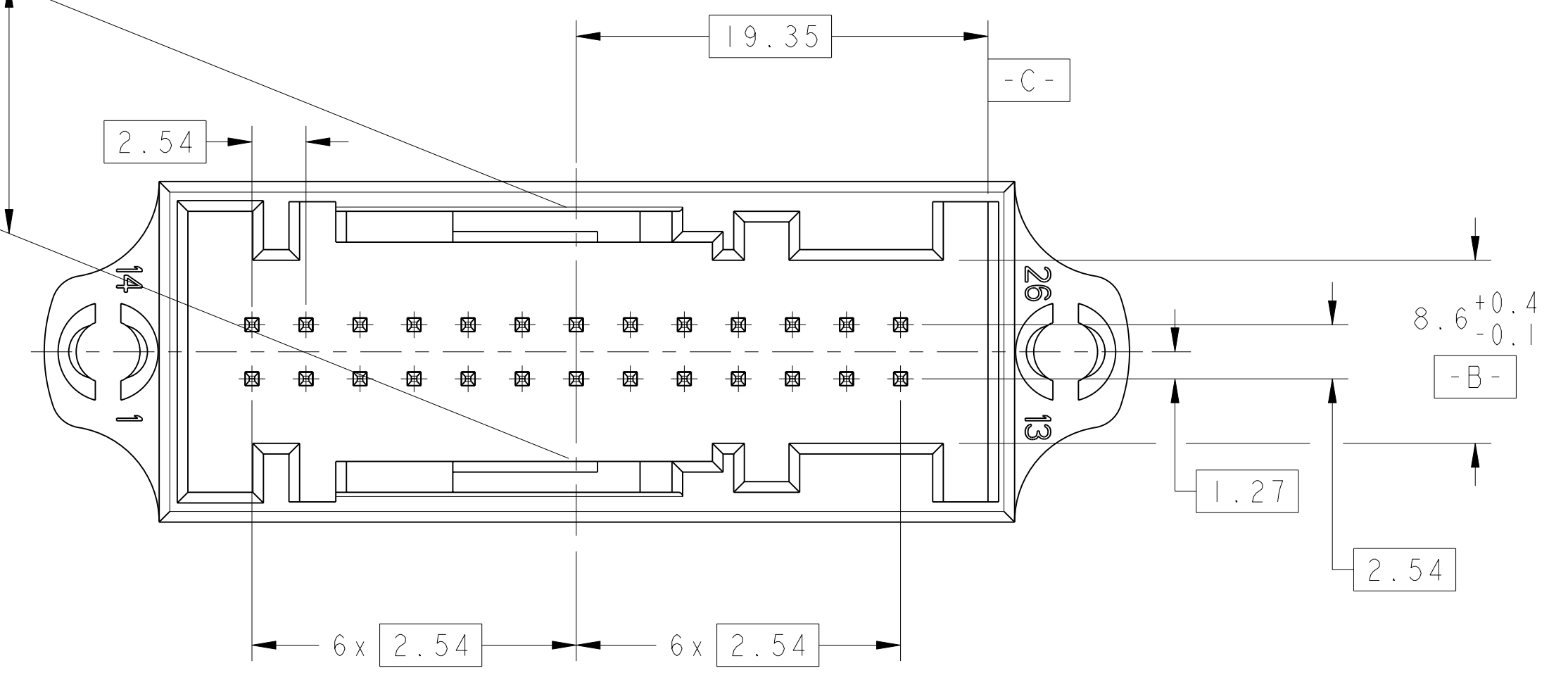


	POST-TINNED SELECTIVE (POST-ETAME SELECTIF)	1-953472-2	BLUE (BLEU)	 22, 23, 1.27, 18.5, 2.54, 1.8, 0.8, 3.1
	POST-TINNED NO SELECTIVE (POST-ETAME NON SELECTIF)	953472-2		
	POST-TIN SELECTIVE (POST-ETAME SELECTIF)	1-953472-1	YELLOW (JAUNE)	 2.54, 17.5, 22, 23, 0.8, 3.1, TYP (26)
	POST-TIN NO SELECTIVE (POST-ETAME NON SELECTIF)	953472-1		
CODING (SCALE 2:1) (DETROMPAGE)	PIN FINISH (FINITION CONTACTS)	PN ASSY	COLOR (COULEUR)	RECOMMENDED PCB LAYOUT (SCALE 2:1) (RECOMMANDATION IMPLANTATION C1)



- NOTES:
- ① MOLDING DATE CODE DATE CODE MOULAGE
 - ② TYCOELECTRONICS STAMP LOGO TYCOELECTRONICS
 - ③ MOLD CAVITY MARKING N° EMPREINTE MOULE
 - ④ TYCO ELECTRONICS PART NUMBER REFERENCE TYCO ELECTRONICS
 - ⑤ MATERIAL REFERENCE REFERENCE MATIERE

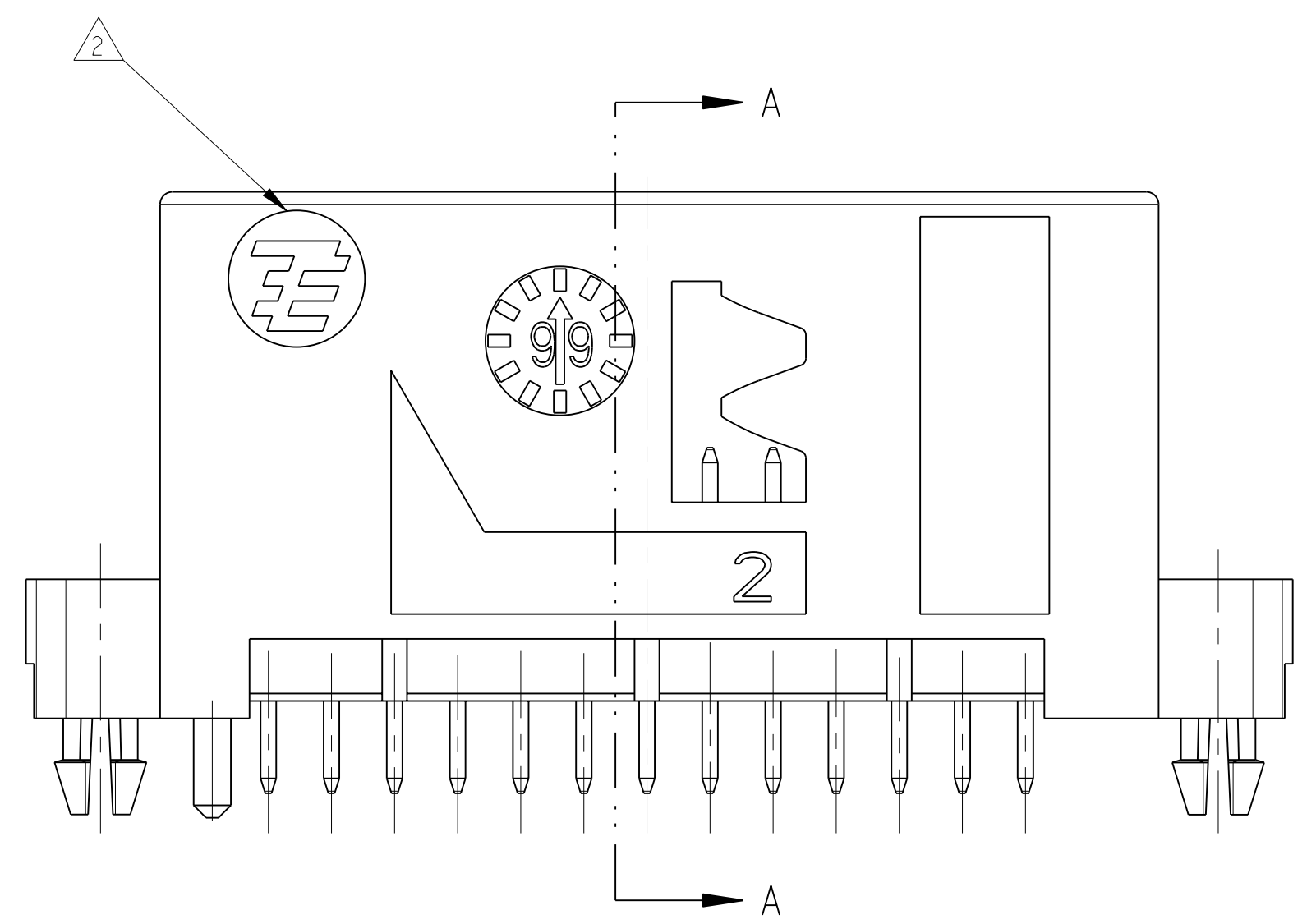
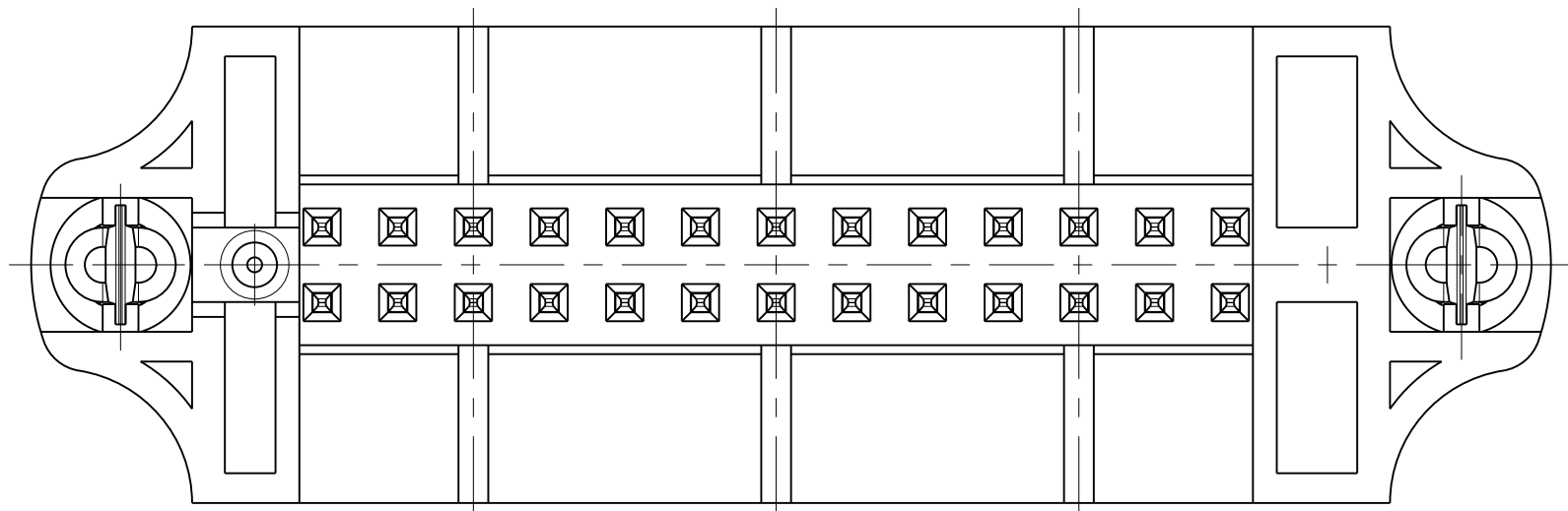
CONTRACTION PERMITTED
(RESSERREMENT ADMIS)
MAX 0.5 mm



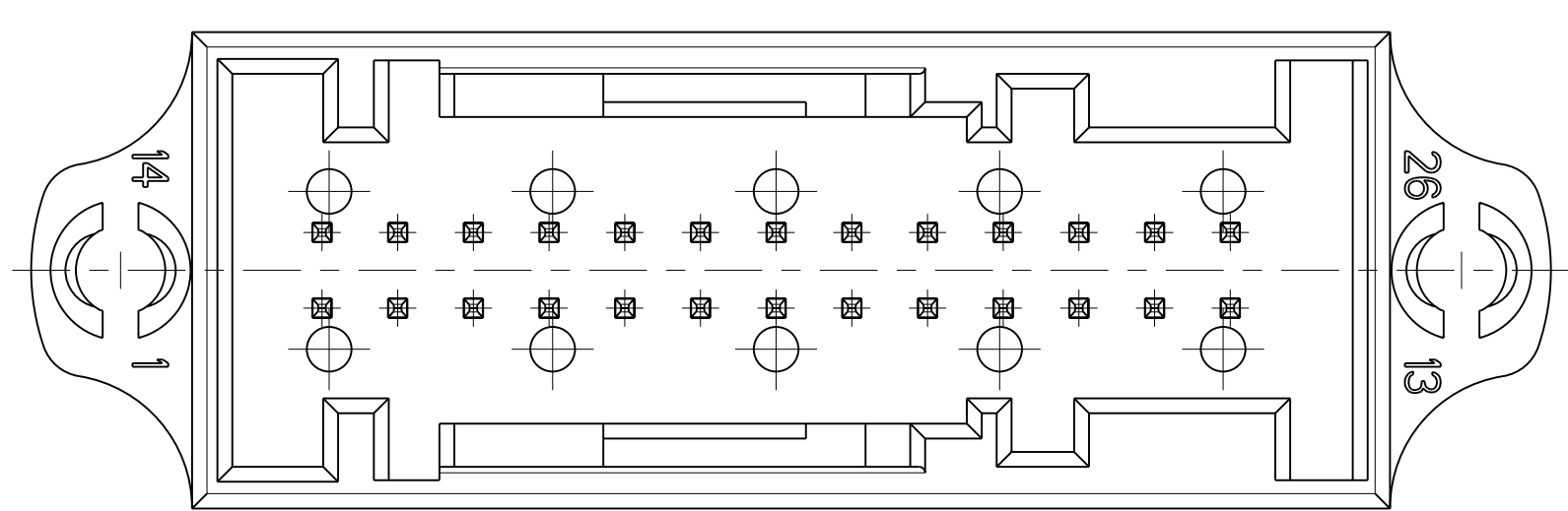
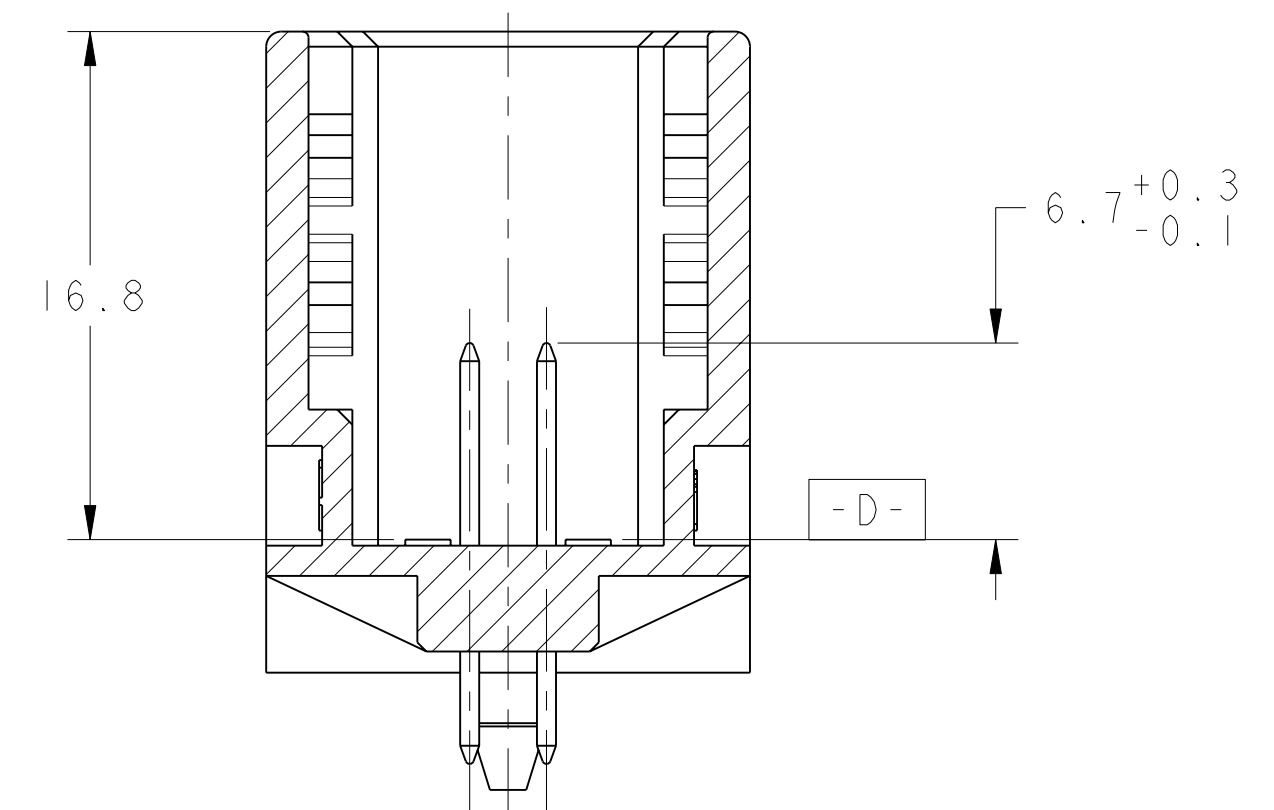
PCT 30% GLASS FIBER (PCT 30% FIBRE DE VERRE)	COPPER ALLOY (ALLIAGE CUIVRE)	TIN OVER NICKEL (ETAIN SUR SOUS COUCHE NICKEL)
HOUSING MATERIAL (MATIERE EMBASE)	PIN MATERIAL (MATIERE CONTACT)	PIN FINISH (FINITION CONTACT)
HEADER COMPLIANT WITH PSA INTERFACE SPECIFICATION C-PSACR95724 (EMBASE CONFORME AU PLAN D'INTERFACE C-PSACR95724)		
DWN/DESIGNE: S. FIBERT CHK/VERIFIE: D. DURAND APVD/APPROUVE: J.J. REVILLI PRODUCT SPEC: 108-15215 APPLICATION SPEC: - MATERIAL/MATIERE: - FINISH/FINITION: #5*		Tyco Electronics France SAS 95300 Pontoise, France NAME: HEADER ASSY, 26 POSN, MOS, STRAIGHT WITH BOARD-LOCK EMBASE ASSEMBLEE, 26 POSITIONS, MOS, DROITE AVEC BOARD-LOCK WEIGHT: 7.5 g CUSTOMER DRAWING / PLAN CLIENT: UNIFORMITY SCALE 2:1 / UNIFORMITE ECHELLE 2:1
DIMENSIONS: 0 PLG / DEC: # 1 PLG / DEC: #0.3 2 PLG / DEC: # 3 PLG / DEC: # 4 PLG / DEC: # ANGLES: #5*		TOLERANCES, UNLESS OTHERWISE SPECIFIED (SUIV NB DE DECIMALES): 0 PLG / DEC: # 1 PLG / DEC: #0.3 2 PLG / DEC: # 3 PLG / DEC: # 4 PLG / DEC: # ANGLES: #5*
THIS IS SUBJECT TO CHANGE WITHOUT NOTICE AND WITHOUT OBLIGATION. CE PLAN EST UN DOCUMENT CONTROLÉ PAR AMP INCORPORATEE. IL EST DISPOSE EN 02 FICHES POUR CONTRÔLE LE SERVICE TECHNOLOGIE D'AMP DE FRANCE POUR OBTENIR LA DERNIERE REVISION.		DWN/DESIGNE: 16FEB99 CHK/VERIFIE: 16FEB99 APVD/APPROUVE: 16FEB99 PRODUCT SPEC: 108-15215 APPLICATION SPEC: - MATERIAL/MATIERE: - FINISH/FINITION: #5*
AMP 4805 REV 31MAR2000 Downloaded From oneyac.com		SHEET 1 OF 2 REV D

LOC	DIST	REVISIONS			
P	LTB	DESCRIPTION	DATE	DWN	APVD
-	-	SEE SHEET 1	-	-	-

OTHER DESIGN ACCEPTED AVAILABLE FOR ALL VERSIONS
 (AUTRES DESIGN ACCEPTES VALABLES POUR TOUTES LES VERSIONS)



SECTION A-A



FOR ALL OTHER DIMENSIONS AND SHAPES SEE SHEET 1/2
 (POUR LES AUTRES DIMENSIONS ET FORMES VOIR FEUILLE 1/2)

<small>THIS DRAWING IS UNPUBLISHED. RELEASED FOR PUBLICATION. THIS IS SUBJECT TO CHANGE WITHOUT NOTICE. TOLERANCES UNLESS OTHERWISE SPECIFIED: DIMENSIONS IN MILLIMETERS SHOULD BE CONTACTED FOR THE LATEST REVISION.</small>		DWN: S. YBERT 17AUG09 CHK: J. LALANGE 17AUG09 APVD: J. REVILL 17AUG09	Tyco Electronics France SAS 95300 Pontoise, France
DIMENSIONS: mm 	TOLERANCES UNLESS OTHERWISE SPECIFIED: 0 PLC ± 1 PLC ±0.3 2 PLC ± 3 PLC ± 4 PLC ± ANGLES ±5° FINISH	NAME: HEADER ASSY, 26 POSN, MOS, STRAIGHT WITH BOARD-LOCK PRODUCT SPEC: 108-15215 APPLICATION SPEC:	SIZE: A CAGE CODE: 100779 DRAWING NO: C-953472
MATERIAL: -	FINISH: -	WEIGHT: 7.5 g	RESTRICTED TO: -
CUSTOMER DRAWING		SCALE: 4:1	SHEET 2 OF 2 REV D

单击下面可查看定价，库存，交付和生命周期等信息

[>>TE Connectivity\(泰科\)](#)