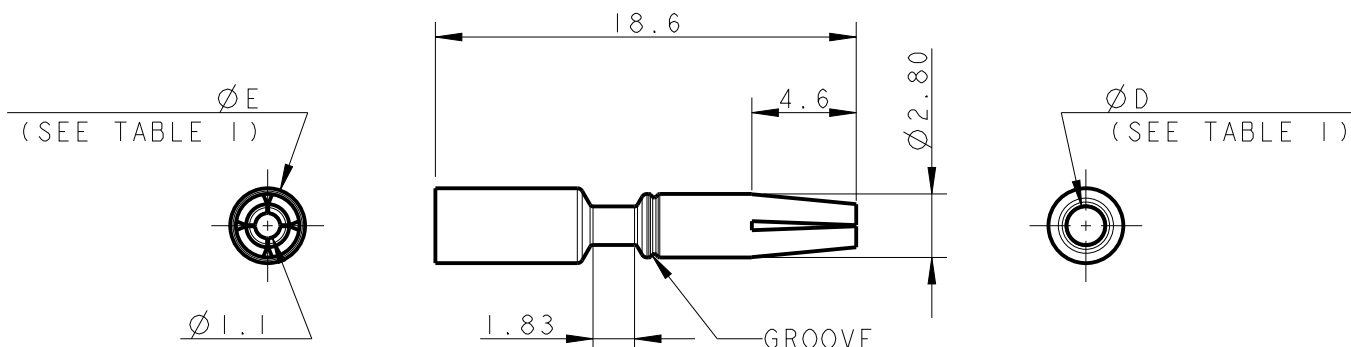
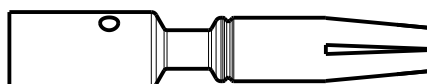


LOC	DIST	REVISIONS				
P	LTR	DESCRIPTION	DATE	DWN	APVD	
	E	UPDATED PART REVISION	12AUG2014	KR	JC	
	F	UPDATED PART REVISION	18AUG2014	KR	JC	
	G	ECR-15-009919 AND ECR-15-010559	15JUL2015	RS	JL	
	GI	REVISED NOTE 2	05FEB2021	MZ	MZ	



P/N 293475-2 AS SHOWN FOR REFERENCE



NOTES:

1) PACKAGING: SEE TE PACKAGING SPEC. 107-20294

2) PART NOT YET RELEASED FOR PRODUCTION. PART IS UNDER TEST TESTING AND NOT YET SUBMITTED TO AGENCY QUALIFICATION

TABLE 2 (SCALE 1:1)

		2-293475-2
		1-293475-2
		293475-2
ADDITIONAL VIEWS, FOR REFERENCE	3D VIEWS FOR REFERENCE	PART NUMBER

TABLE 1

NOTE	CROSS SECTION (mm <sup>2</sup> )	NOM. DIM. "E"	NOM. DIM. "D"	NO. OF GROOVES	NET WEIGHT (g)	DESCRIPTION	PART NUMBER
2	4.0	3.9	2.8	0	~0.8	MACHINE SOCKET CONTACT NECTOR* M-LINE	2-293475-2
	2.5	3.3	2.2	0	~0.6	MACHINE SOCKET CONTACT NECTOR* M-LINE	1-293475-2
	1.5	3.3	1.7	1	~0.7	MACHINE SOCKET CONTACT NECTOR* M-LINE	293475-2

DIMENSIONS:

mm

DWN M. ZUCCA 23OCT2009  
 CHK M. ZUCCA 23OCT2009  
 APVD G. TURCO 23OCT2009

MATERIAL BRASS FINISH TIN PLTD

TOLERANCES UNLESS OTHERWISE SPECIFIED:

0 PLC ±  
 1 PLC ±0.3  
 2 PLC ±0.20  
 3 PLC ±  
 4 PLC ±  
 ANGLES ±3°

PRODUCT SPEC 108-20304  
 APPLICATION SPEC 114-20152



NAME MACHINED SOCKET CONTACT NECTOR\* M-LINE

SIZE A4 CAGE CODE 00779 DRAWING NO C-293475 RESTRICTED TO -

WEIGHT SEE TABLE 1

Customer Drawing

SCALE 3:1 SHEET 1 OF 1 REV GI

2010

RELEASED FOR PUBLICATION

ALL RIGHTS RESERVED.

BY -

© COPYRIGHT 2010

THIS DRAWING IS UNPUBLISHED.

单击下面可查看定价，库存，交付和生命周期等信息

[>>TE Connectivity\(泰科\)](#)