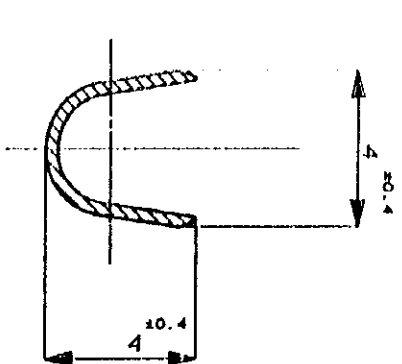
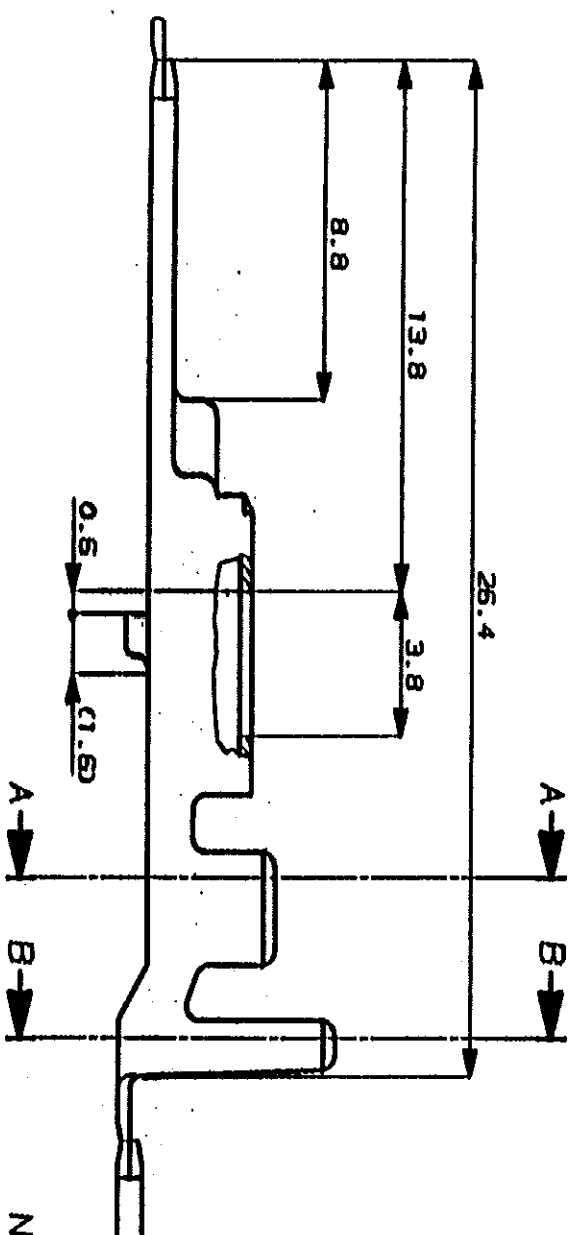


※ A-A
(SECT. A-A)



※ B-B
(SECT. B-B)



NOTES;

- 注:
1. 嵌合相手リセナクフル型番 172775, 172776
 2. 製品規格 No.108-5166
 3. 取付運用規格 114-5072
 4. 相手ハウジング型番 172518 他
- △ 逆巻きリール
1. MATE TAB P/N 172775, 172776
 2. PRODUCT SPEC. No. 108-5166
 3. APPLICATION SPEC. No. 114-5072
 4. PLUG HSG P/N 172518 ETC.
- △ REVERSE REEL

172780-1	銅 (COPPER)	銅 (COPPER)	△1-172779-1	4
172780-4	銅 (COPPER)	銅 (COPPER)	172779-4	3
172780-2	銅 (COPPER)	銅 (COPPER)	172779-2	2
172780-1	銅 (COPPER)	銅 (COPPER)	172779-1	1

© 19 BY AMP (Japan) LTD.
ALL RIGHTS RESERVED.
AMP PRODUCTS COVERED BY PATENTS
AND OR PATENTS PENDING.

AMP AMP (JAPAN), LTD.
Tokyo, Japan

WIRE RANGE	0.3-0.8mm	INSULATION DIA	1.5-2.5	NAME	ケーブル (CABLE)
MATERIAL	銅 (COPPER)	FINISH	銅 (COPPER)	GENERAL TOLERANCE	0.05 ± 0.2 10 ± 30 30 ± 100 ANGLES ± 3°
REVISION RECORD	DR. 10.6.29	CHK. DATE	10.6.29	SIZE	C
	DR. 10.6.29	CHK. DATE	10.6.29	LOC	J
	DR. 10.6.29	CHK. DATE	10.6.29	NUMBER	C-172779
	DR. 10.6.29	CHK. DATE	10.6.29	REV.	C
	DR. 10.6.29	CHK. DATE	10.6.29	SHEET	1 OF 1

CUSTOMER DRAWING

单击下面可查看定价，库存，交付和生命周期等信息

[>>TE Connectivity\(泰科\)](#)