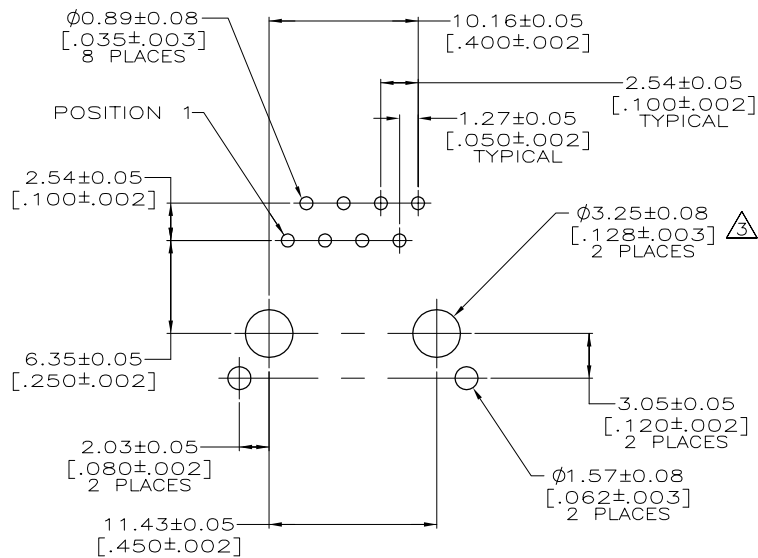
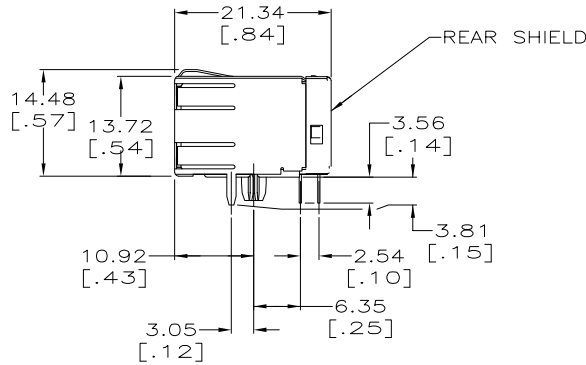
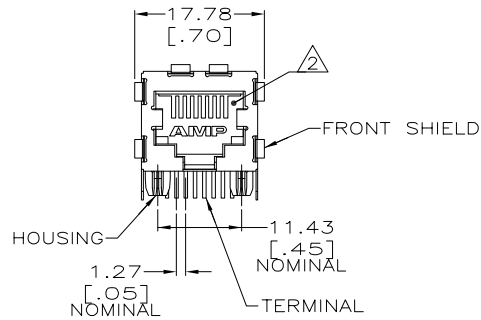


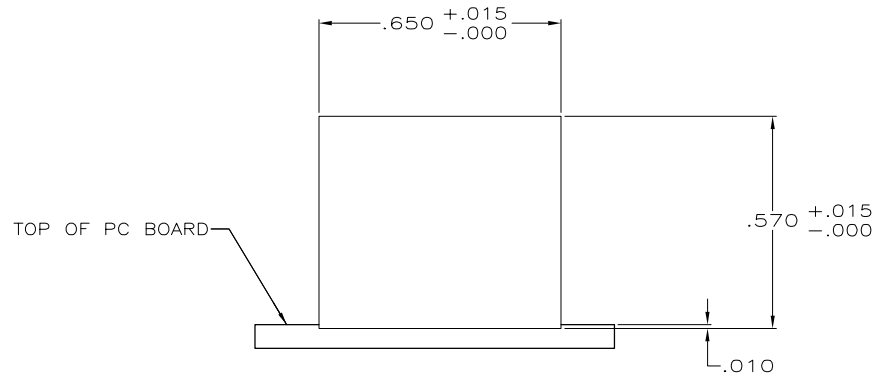
THIS DRAWING IS UNPUBLISHED. RELEASED FOR PUBLICATION
 © COPYRIGHT BY TYCO ELECTRONICS CORPORATION. ALL RIGHTS RESERVED.

| LOC | DIST | REVISIONS | | | | | |
|-----|------|-----------|-----|-----------------------|-----------|-----|------|
| AA | 22 | P | LTR | DESCRIPTION | DATE | DWN | APVD |
| | | B1 | | REV PER ECR-09-004284 | 16APR2009 | TY | SY |

- 1 MATERIAL: HOUSING - NYLON, BLACK, IR REFLOW COMPATIBLE, UL 94V-0.
 TERMINALS - 0.33[.013] THICK PHOS BRONZE PLATED WITH 1.27µm[.000050] MINIMUM THICK HARD GOLD IN LOCALIZED AREA AND 3.81µm [.000150] MINIMUM THICK MATTE TIN IN SOLDER AREA OVER 1.27µm[.000050] MINIMUM THICK NICKEL UNDERPLATE.
 SHIELDS - 0.25[.010] THICK COPPER ALLOY PLATED WITH 1.27µm[.000050] MINIMUM NICKEL AND 2.03µm [.000080] MINIMUM HOT TIN DIP ON PCB GROUND TABS.
- △ JACK CAVITY CONFORMS TO FCC RULES AND REGULATIONS, PART 68 SUBPART F.
- △ USE #30 DRILL BIT OR 3.25mm DRILL BIT WHEN PRODUCING THESE PCB HOLES.



SUGGESTED PC BOARD LAYOUT
 COMPONENT SIDE (TOP)
 SCALE 4:1



SUGGESTED PANEL CUTOUT
 SCALE 4:1

5406295-1
 PART NUMBER

| | | | | |
|--|--------------------|----------------------------------|---|---|
| THIS DRAWING IS A CONTROLLED DOCUMENT. | | DWN T. SPRINKLE 01JUNE2005 | Tyco Electronics Corporation Harrisburg, Pa 17105-3608 | |
| DIMENSIONS: mm | | CHK J. WESTMAN 01JUNE2005 | APVD S. FLECKINGER 01JUNE2005 | |
| TOLERANCES UNLESS OTHERWISE SPECIFIED: | | NAME | | PRODUCT SPEC |
| 0 PLC ± - | 1 PLC ± - | 108-1163 | | MODULAR JACK ASSEMBLY, SINGLE PORT, 8 POSITION, SHIELDED, REVERSE PANEL GROUND TABS, CATEGORY 4 |
| 2 PLC ± 0.25[.01] | 3 PLC ± 0.13[.005] | APPLICATION SPEC | | SIZE |
| 4 PLC ± - | ANGLES ± - | 114-2048 | | A2 |
| MATERIAL | | WEIGHT | | CAGE CODE |
| SEE NOTE 1 | | SEE NOTE 1 | | 00779 |
| | | CUSTOMER DRAWING | | DRAWING NO |
| | | SCALE | | RESTRICTED TO |
| | | 2:1 | | 1 OF 1 |
| | | SHEET | | REV |
| | | 1 | | B1 |

单击下面可查看定价，库存，交付和生命周期等信息

[>>TE Connectivity\(泰科\)](#)