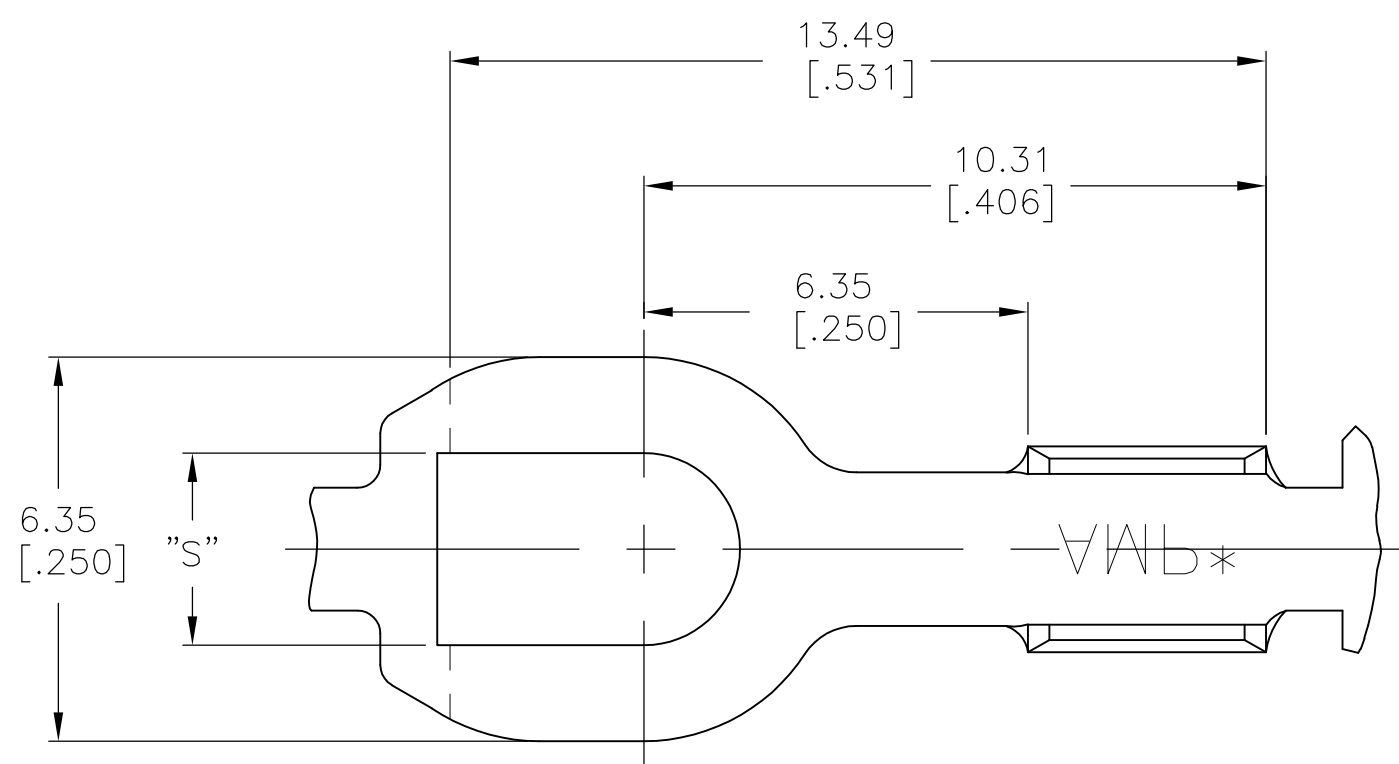
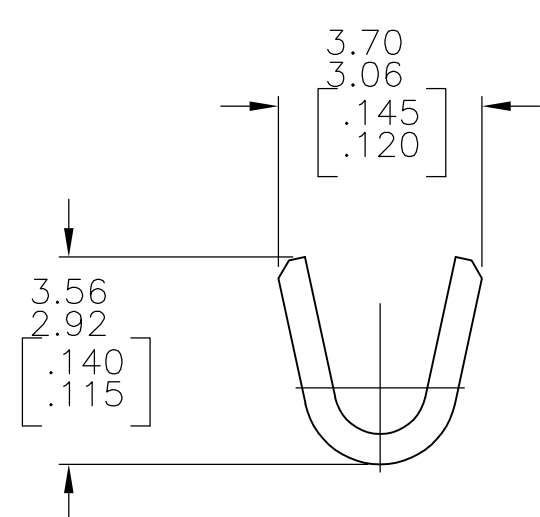


THIS DRAWING IS UNPUBLISHED. RELEASED FOR PUBLICATION  
 © COPYRIGHT - BY TYCO ELECTRONICS CORPORATION. ALL INTERNATIONAL RIGHTS RESERVED.

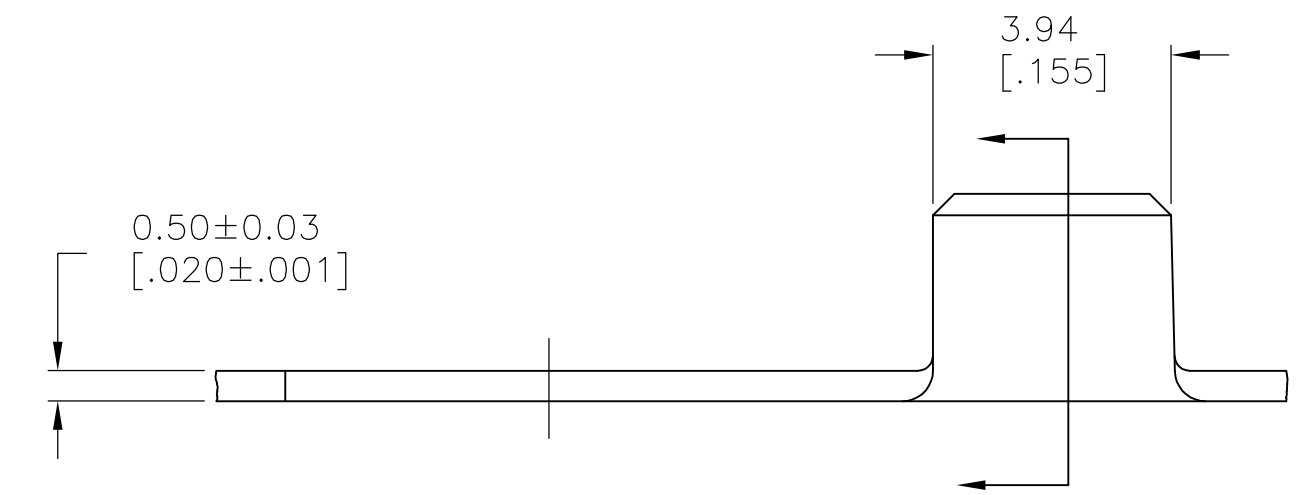
| LOC | DIST | REVISIONS   |                           |         |        |
|-----|------|-------------|---------------------------|---------|--------|
| P   | LTR  | DESCRIPTION | DATE                      | DWN     | APVD   |
| AF  | 50   | H1          | REVISED PER ECR-09-001244 | 03MAR09 | HMR JR |



1 CONTINUOUS STRIP ON REELS



SECTION A-A



|                         |                    |                    |                    |
|-------------------------|--------------------|--------------------|--------------------|
| FOREIGN PRODUCTION ONLY | 22-16              | 3.18[.125]         | 40608              |
|                         | WIRE SIZE<br>A.W.G | "S"<br>±0.13[.005] | TERMINAL<br>NUMBER |

|  |  |                               |   |                    |
|--|--|-------------------------------|---|--------------------|
| THIS DRAWING IS A CONTROLLED DOCUMENT.   |  | DWN<br>RAGHAVENDRA<br>03MAR09 | Tyco Electronics Corporation<br>Harrisburg, PA 17105-3608 |                    |
| DIMENSIONS:<br>mm [INCHES]   |  | CHK<br>JEFF RUTH<br>03MAR09   | NAME  |                    |
| TOLERANCES UNLESS<br>OTHERWISE SPECIFIED:  |  | APVD<br>DON DECKER<br>03MAR09 | SPADE   |                    |
| 0 PLC ± -<br>1 PLC ± -<br>2 PLC ± -<br>3 PLC ± 0.38[.015]<br>4 PLC ± -<br>ANGLES ± 1° 0' |  | PRODUCT SPEC<br>-             | RESTRICTED TO   |                    |
| MATERIAL<br>BRASS  |  | APPLICATION SPEC<br>-         | SIZE<br>A3  | CAGE CODE<br>00779 |
| FINISH<br>TIN  |  | WEIGHT<br>-                   | DRAWING NO<br>G-40608                                     | REV<br>H1          |
| CUSTOMER DRAWING   |  |                               | SCALE<br>8:1  | SHEET<br>1 OF 1    |

单击下面可查看定价，库存，交付和生命周期等信息

[>>TE Connectivity\(泰科\)](#)