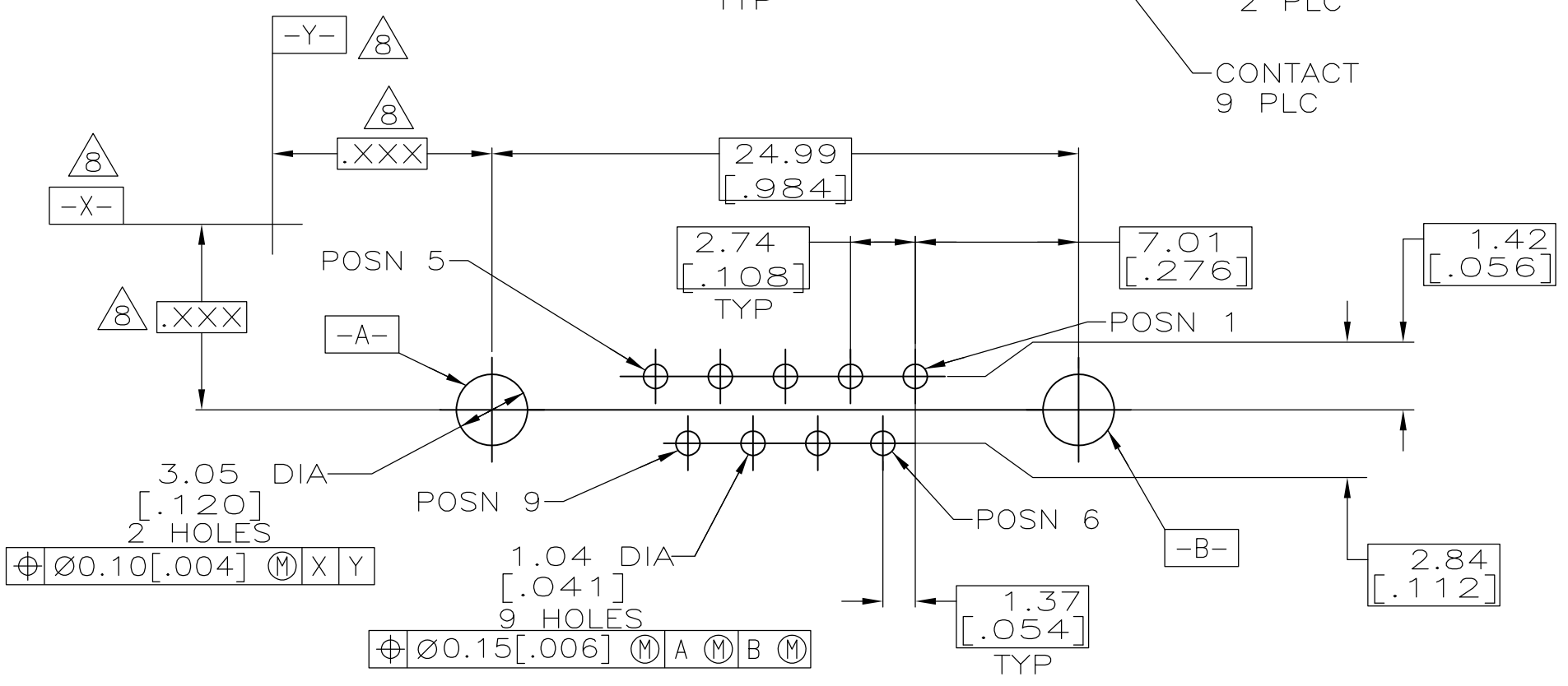
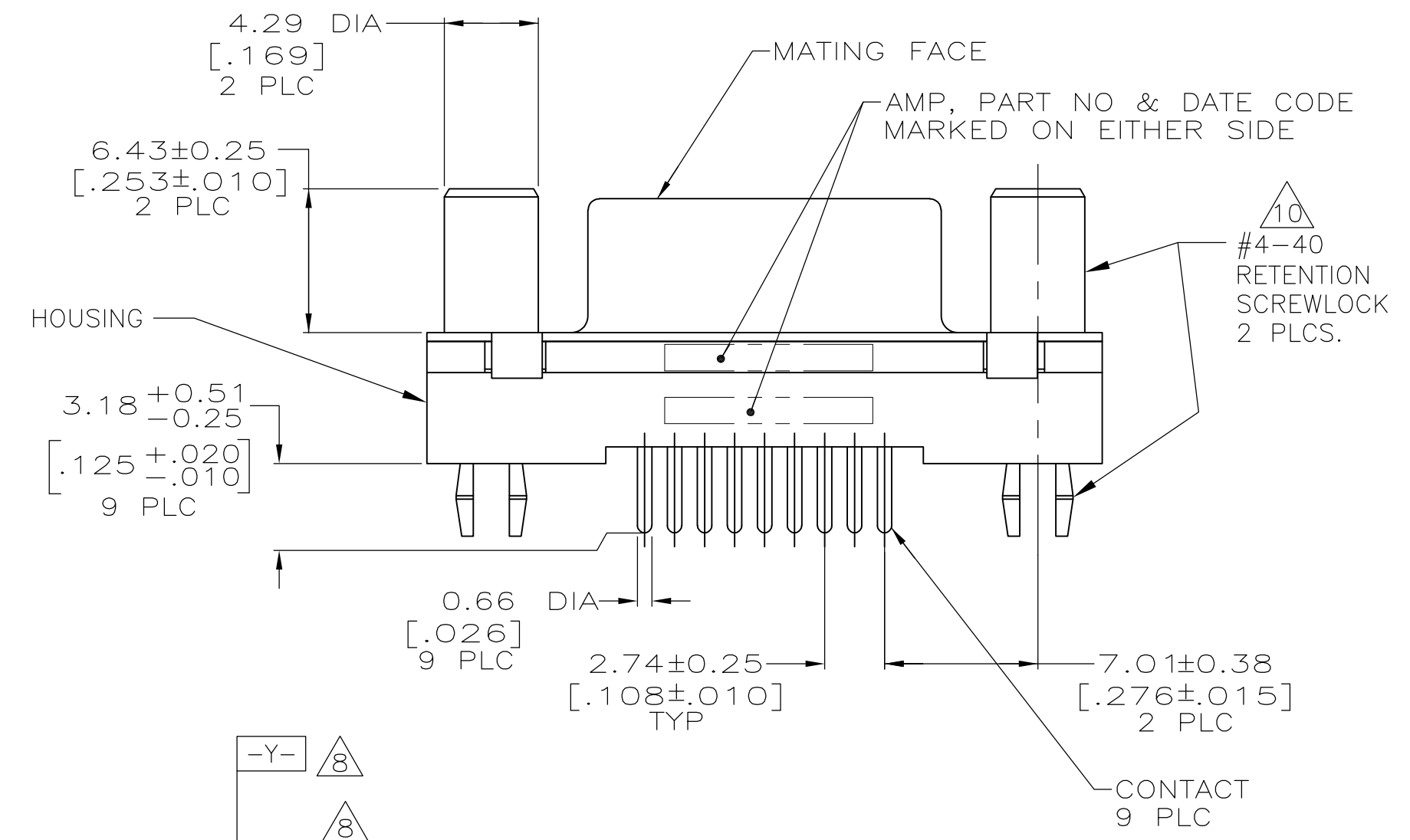
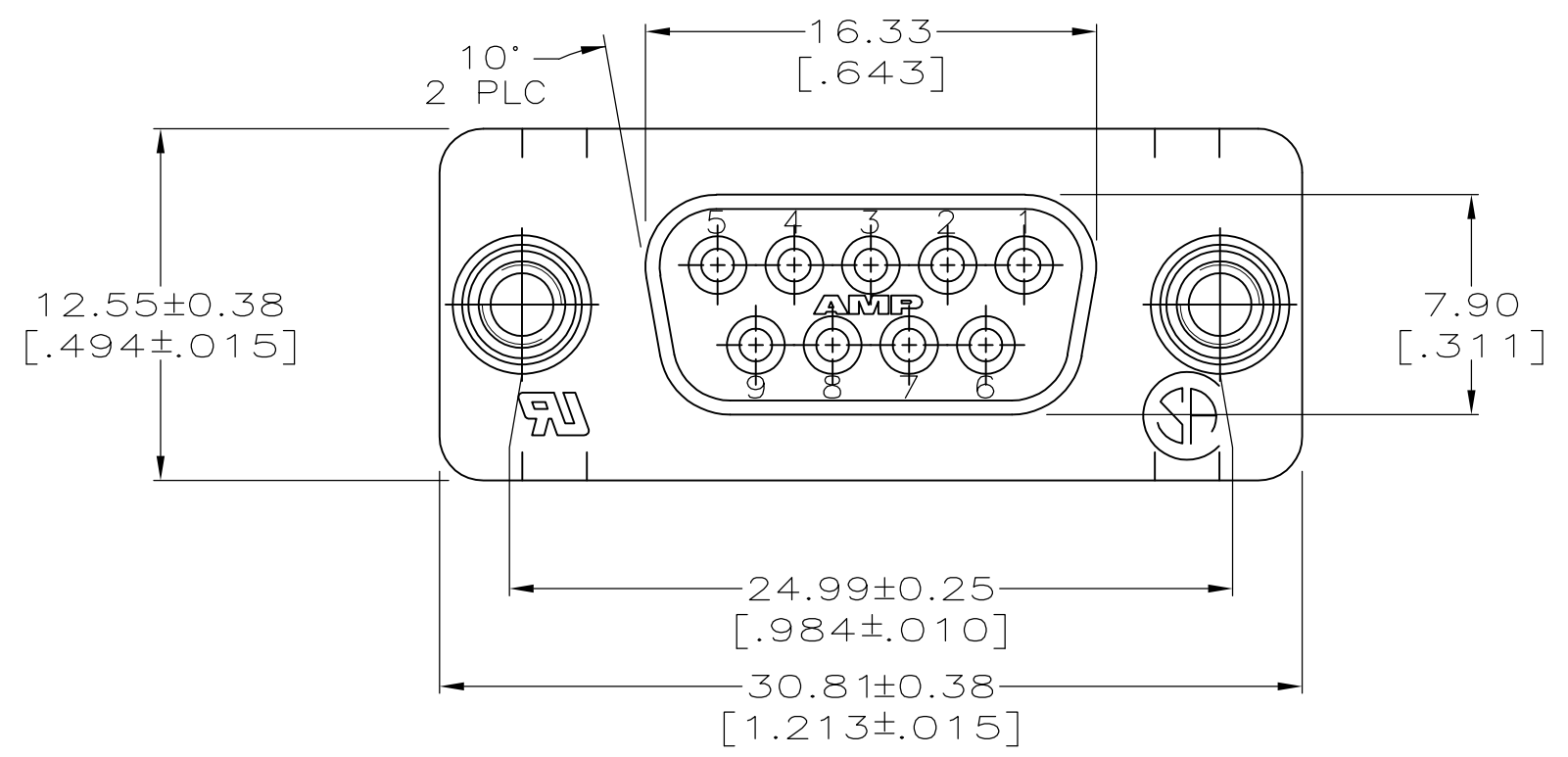
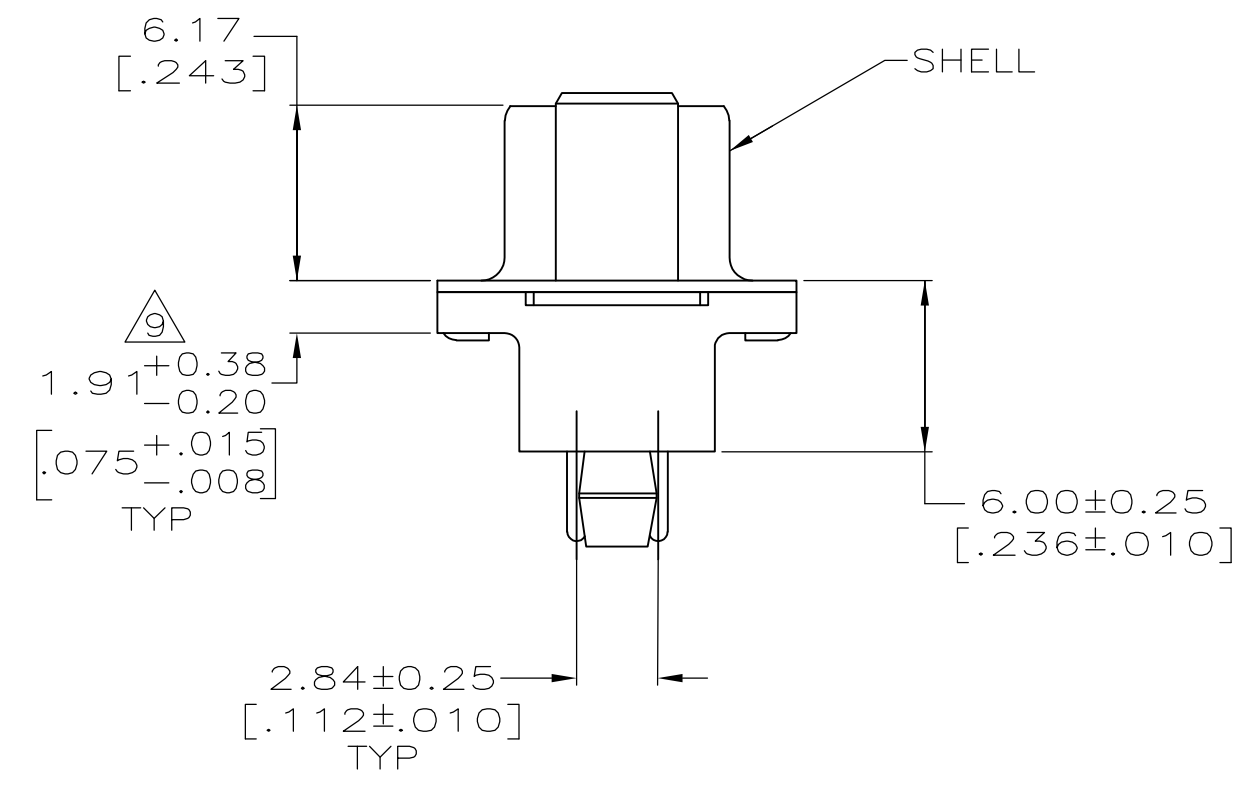


LOC	DIST	REVISIONS					
GP	00	P	LTR	DESCRIPTION	DATE	OWN	APVD
		J		REVISED PER ECO-09-024765	14JAN2010	CR	SB



PC BOARD MOUNTING DIMENSIONS  
 CONNECTOR SIDE OF BOARD  
 1.57[.062] PC BOARD THICKNESS

- 1 HOUSING: POLYESTER, UL 94V-O RATED, BLACK.
- 2 SHELL: CARBON STEEL.
- 3 CONTACT: PHOSPHOR BRONZE.
- 4 RETENTION SCREWLOCK: BRASS.
- 5 SHELL: 5.08µm [.000200] MIN TIN OVER 2.54µm [.000100] MIN COPPER.
- 6 CONTACT: 0.76µm [.000030] MIN GOLD FOR A LENGTH OF 1.40 [.055] MIN FROM MATING END, 2.54µm [.000100] MIN TIN-LEAD ON OPPOSITE END FOR A LENGTH OF 3.68 [.145] MIN, BOTH OVER 1.27µm [.000050] MIN NICKEL.
- 7 RETENTION SCREWLOCK: 2.54µm [.000100] MIN TIN-LEAD OVER 1.27µm [.000050] MIN NICKEL OVER COPPER FLASH.
- 8 DATUMS AND BASIC DIMENSIONS ESTABLISHED BY CUSTOMER.
- 9 2.79[.110] MAX IN SHELL TAB CLINCH AREAS.
- 10 ORIENTATION IS OPTIONAL AND MAY NOT BE AS SHOWN.



750678-1  
 PART NUMBER

THIS DRAWING IS A CONTROLLED DOCUMENT.		DWN L.SIPE 02/14/91	Tyco Electronics Corporation Harrisburg, PA 17105-3608	
DIMENSIONS: mm[INCHES]		CHK J. McCLINTON 2-18-91	Tyco Electronics	
TOLERANCES UNLESS OTHERWISE SPECIFIED:		APVD -	NAME	
0 PLC ± -	1 PLC ± -	PRODUCT SPEC 108-40025		
2 PLC ± 0.13 [.005]	3 PLC ± -	APPLICATION SPEC 114-40023		
4 PLC ± -	ANGLES ± -	SIZE A2	CAGE CODE 00779	DRAWING NO 750678
MATERIAL	FINISH	WEIGHT -	RESTRICTED TO -	
1 2 3 4	5 6 7	CUSTOMER DRAWING		
		SCALE 4:1	SHEET 1 OF 1	REV J

单击下面可查看定价，库存，交付和生命周期等信息

[>>TE Connectivity\(泰科\)](#)

[>>点击查看相关商品](#)