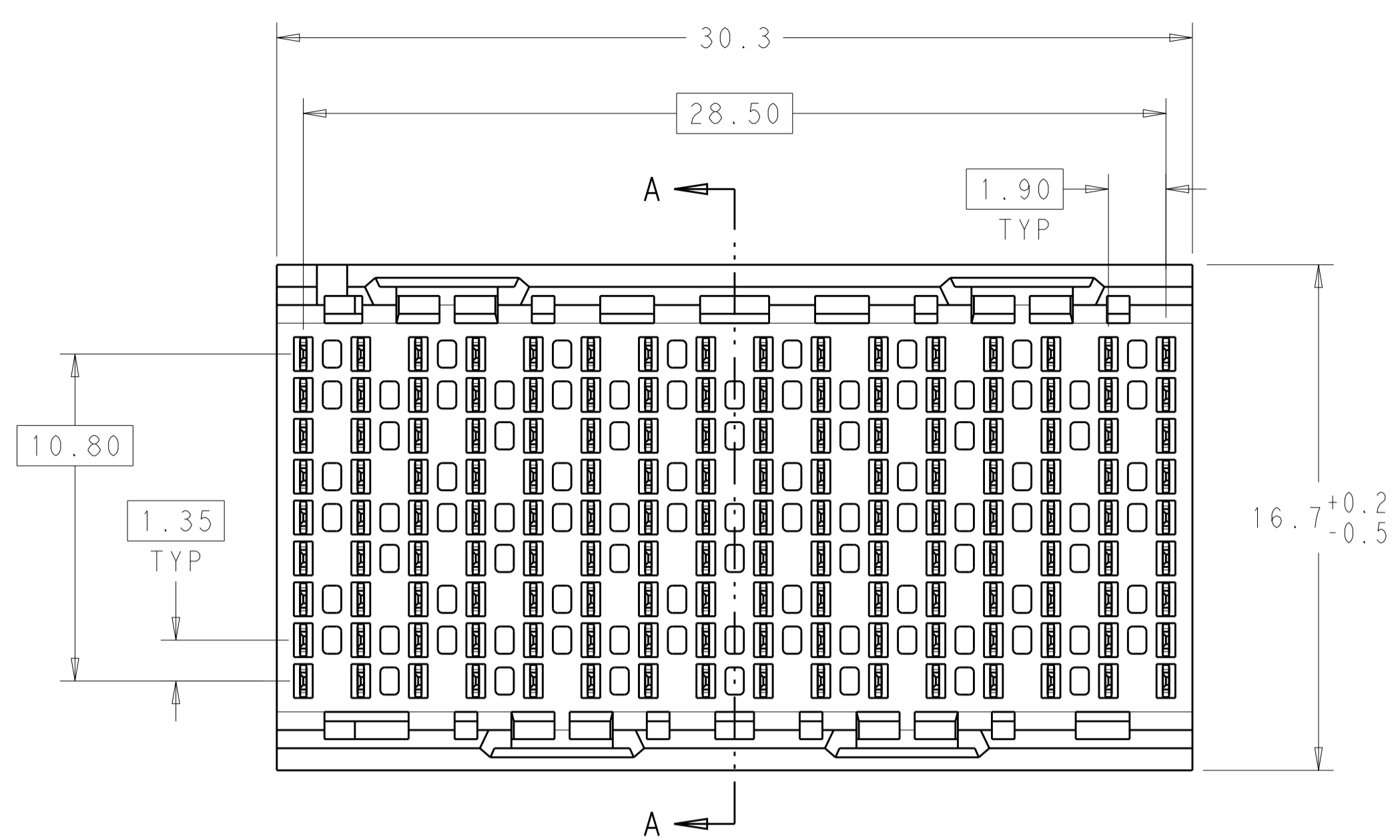
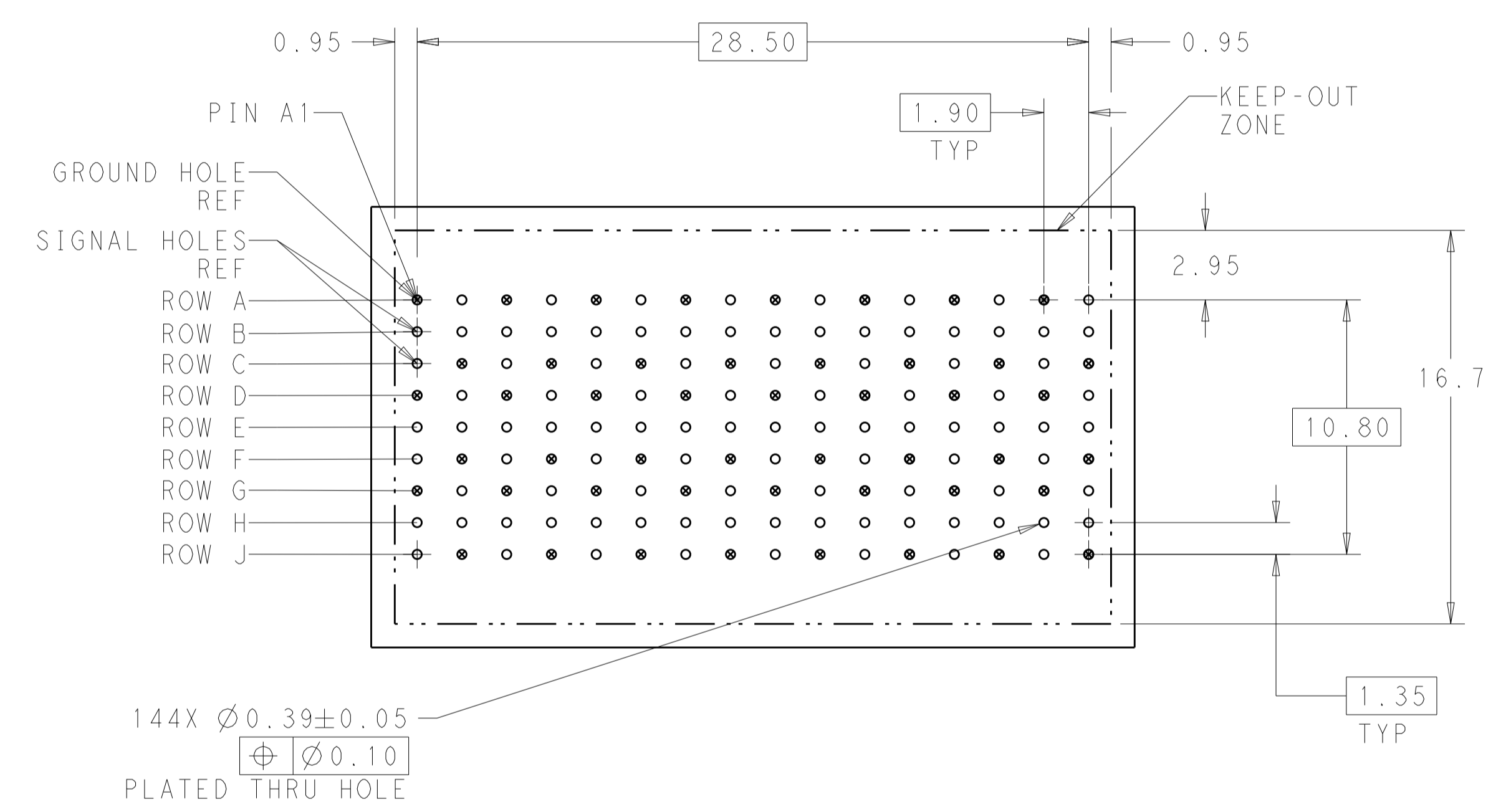
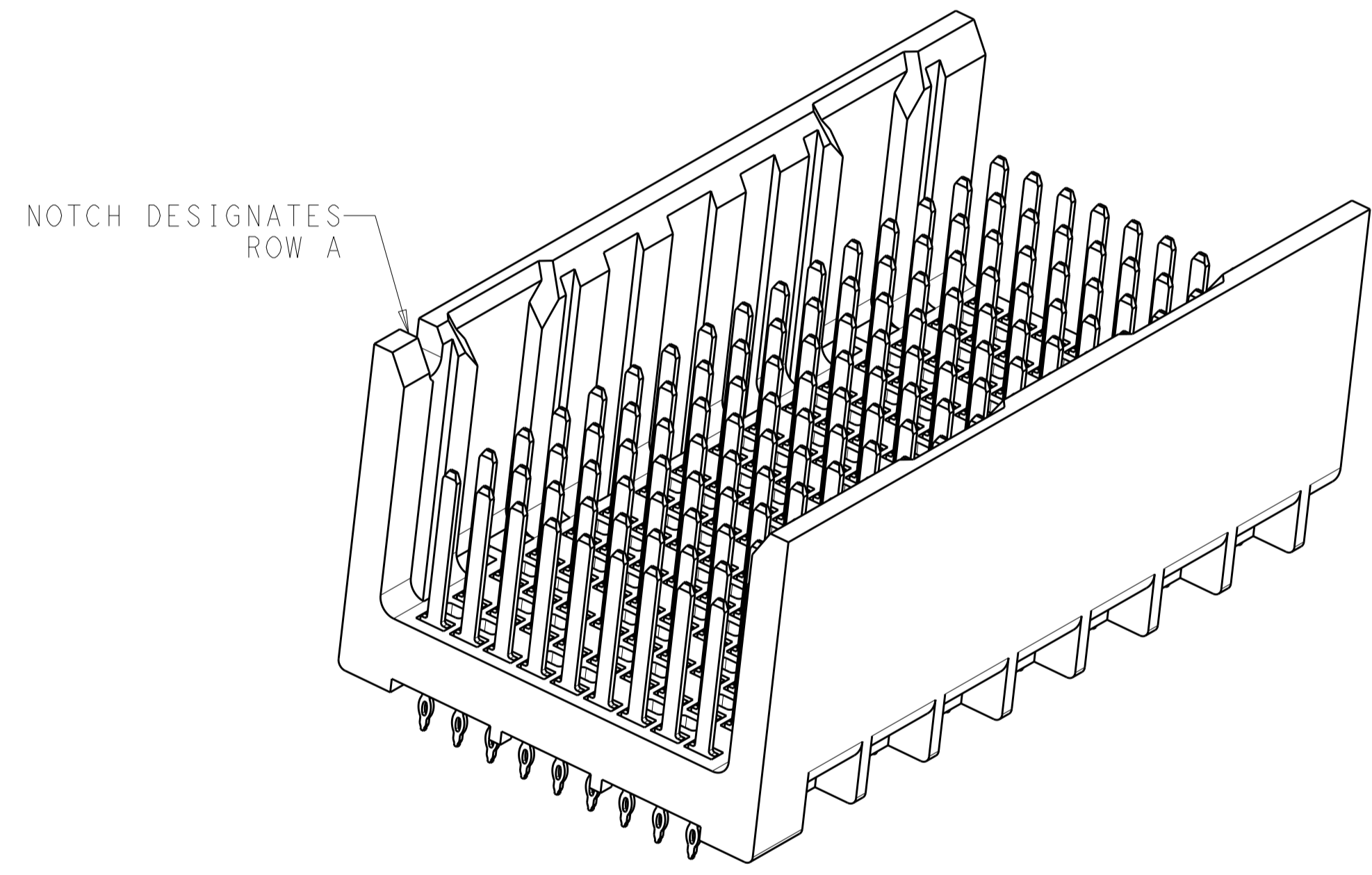


LOC		DIST		REVISIONS			
AD	00	P	LTN	DESCRIPTION	DATE	DWN	APVD
		D		REVISED PER ECO-12-020314	09JUL2013	KH	DD

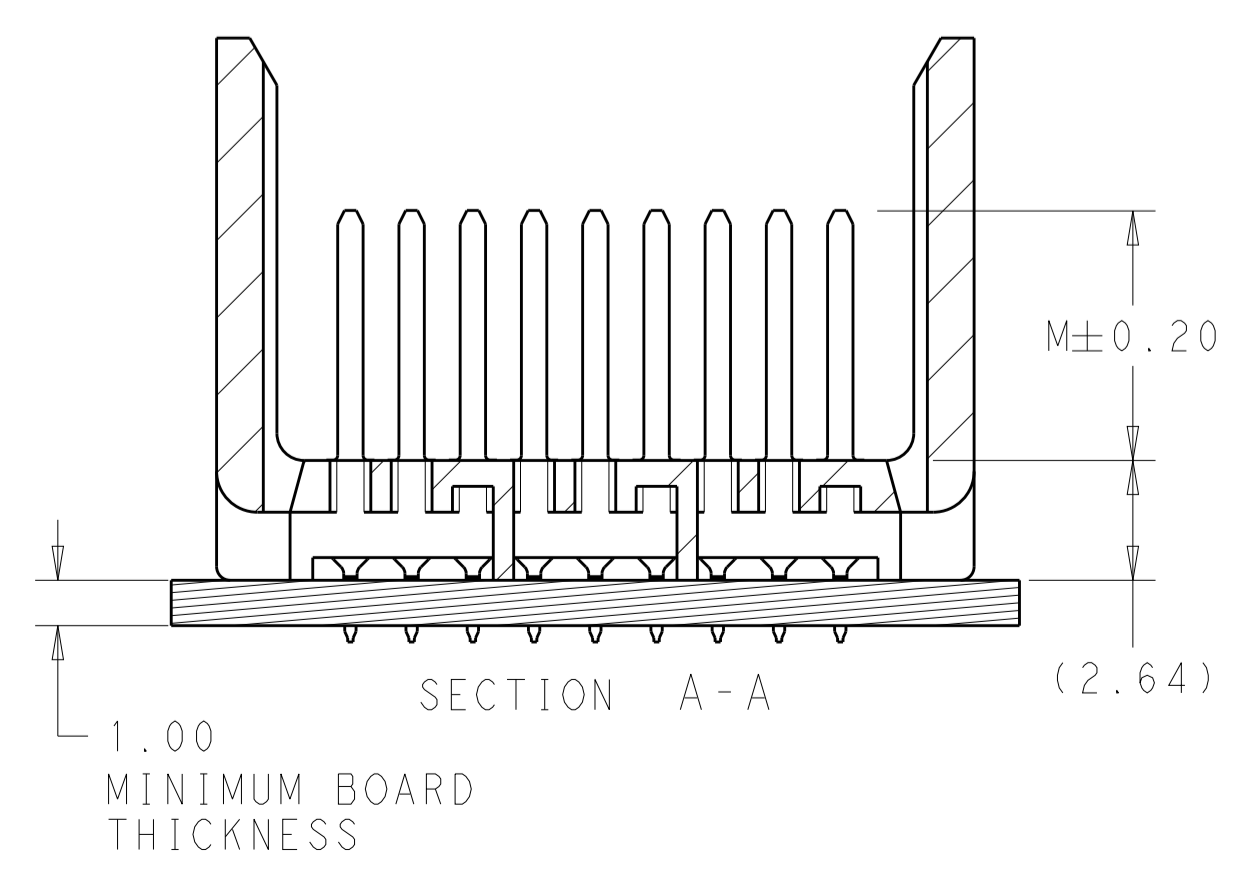
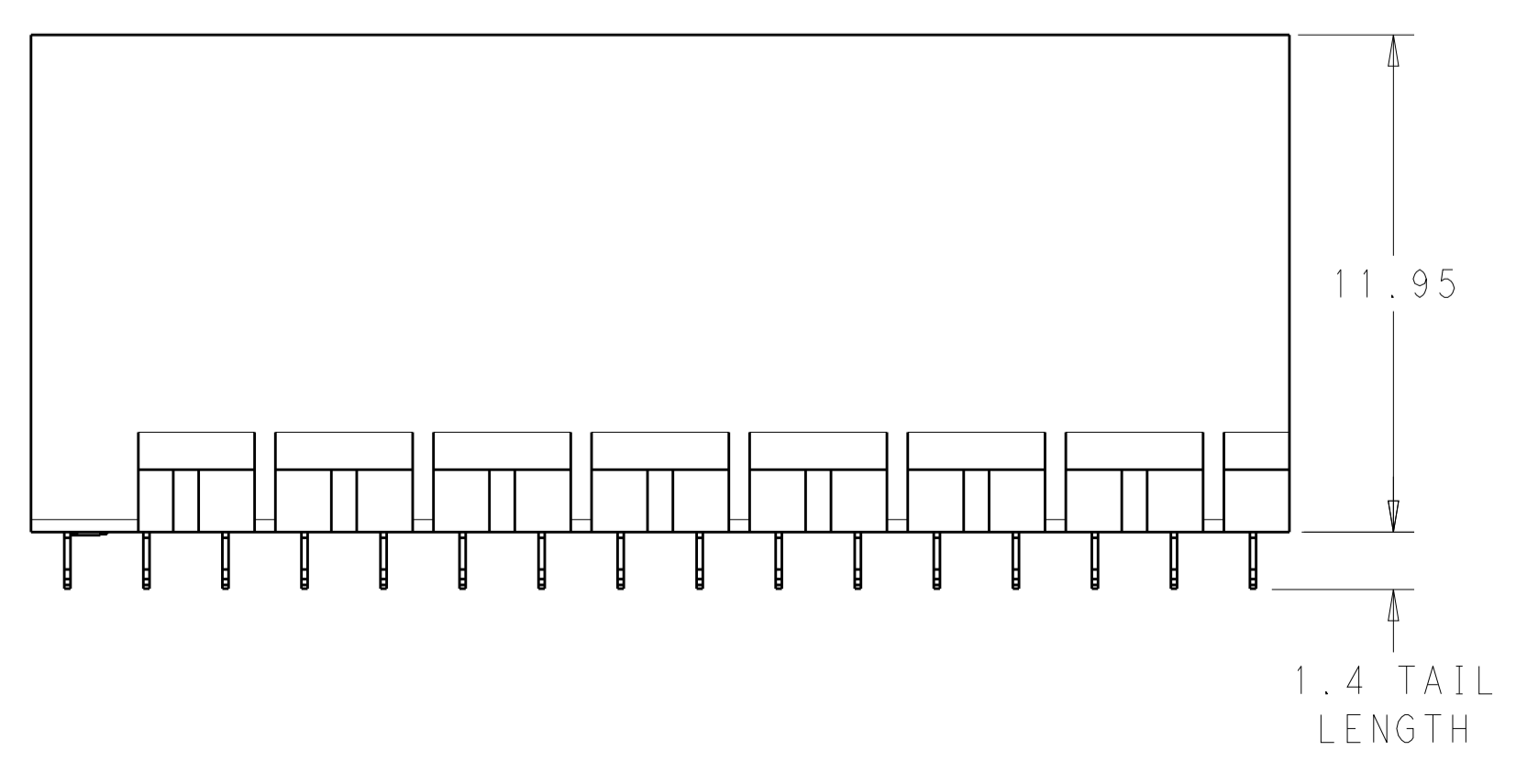


⚠ MATERIAL:
 HOUSING: LCP, GLASS FILLED, UL94V-0.
 TERMINALS: HIGH PERFORMANCE COPPER ALLOY.

⚠ FINISH:
 30μ" MIN GOLD IN CONTACT AREA. SELECTIVE TIN
 ON PCB TAILS, NICKEL OVERALL.



UNGUIDED
 BACKPLANE HOLE PATTERN
 (CONNECTOR SIDE)



THIS DRAWING IS A CONTROLLED DOCUMENT.		DWN J. K. SHOBER 24DEC11	TE Connectivity
DIMENSIONS: mm		CHK J. EARY 24DEC11	
TOLERANCES UNLESS OTHERWISE SPECIFIED: 0 PLC ± 1 PLC ±0.25 2 PLC ±0.13 3 PLC ± 4 PLC ± ANGLES ±		APVD J. EARY 24DEC11	NAME IMPACT, 3 PAIR, 16 COLUMN, HEADER UNGUIDED, OPEN END WALL SIGNAL MODULE, 0.39 PTH
MATERIAL SEE TABLE		FINISH SEE TABLE	SIZE CAGE CODE DRAWING NO. RESTRICTED TO
CUSTOMER DRAWING		SCALE 6:1	SHEET 1 OF 2 REV D

THIS DRAWING IS UNPUBLISHED.	RELEASED FOR PUBLICATION	20
© COPYRIGHT 20	ALL RIGHTS RESERVED.	

LOC	DIST	REVISIONS					
		P	LTN	DESCRIPTION	DATE	DWN	APVD
AD	00	-		SEE SHEET 1	-	-	-

	5.5	2007804-3
	4.9	2007804-2
	4.5	2007804-1
FINISH	DIM M	PART NUMBER

REFER TO WWW.TE.COM
FOR PRODUCT AVAILABILITY

THIS DRAWING IS A CONTROLLED DOCUMENT.		DWN J. K. SHOBER 24DECT1										
DIMENSIONS: mm		CHK J. EARY 24DECT1										
TOLERANCES UNLESS OTHERWISE SPECIFIED:		APVD J. EARY 24DECT1	NAME IMPACT, 3 PAIR, 16 COLUMN, HEADER UNGUIDED, OPEN END WALL SIGNAL MODULE, 0.39 PTH									
<table border="1"> <tr><td>0 PLC</td><td>±</td></tr> <tr><td>1 PLC</td><td>±0.25</td></tr> <tr><td>2 PLC</td><td>±0.13</td></tr> <tr><td>3 PLC</td><td>±</td></tr> <tr><td>4 PLC</td><td>±</td></tr> </table>		0 PLC		±	1 PLC	±0.25	2 PLC	±0.13	3 PLC	±	4 PLC	±
0 PLC	±											
1 PLC	±0.25											
2 PLC	±0.13											
3 PLC	±											
4 PLC	±											
		APPLICATION SPEC	SIZE A100779									
MATERIAL		WEIGHT	CAGE CODE C=2007804									
FINISH SEE TABLE		RESTRICTED TO										
CUSTOMER DRAWING		SCALE 5:1	SHEET 2 OF 2									
		REV D										

单击下面可查看定价，库存，交付和生命周期等信息

[>>TE Connectivity\(泰科\)](#)