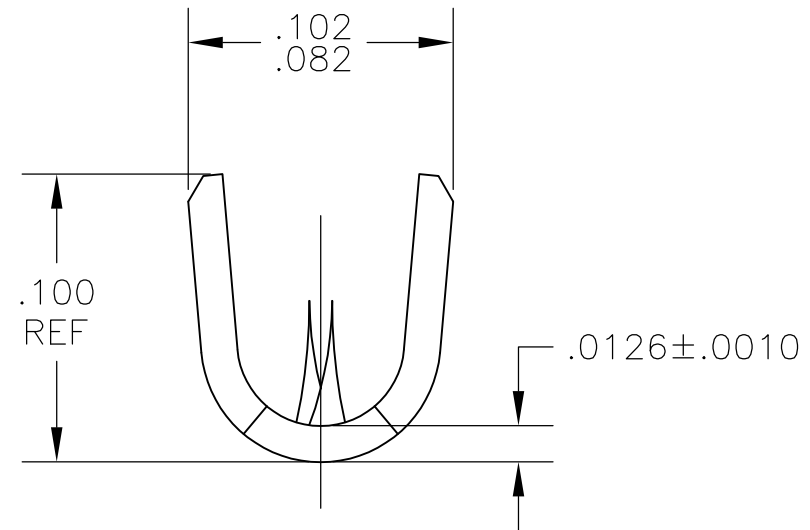
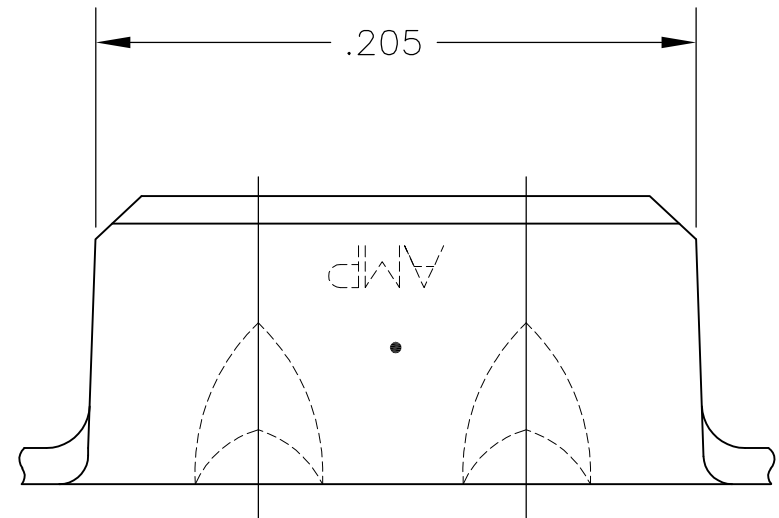
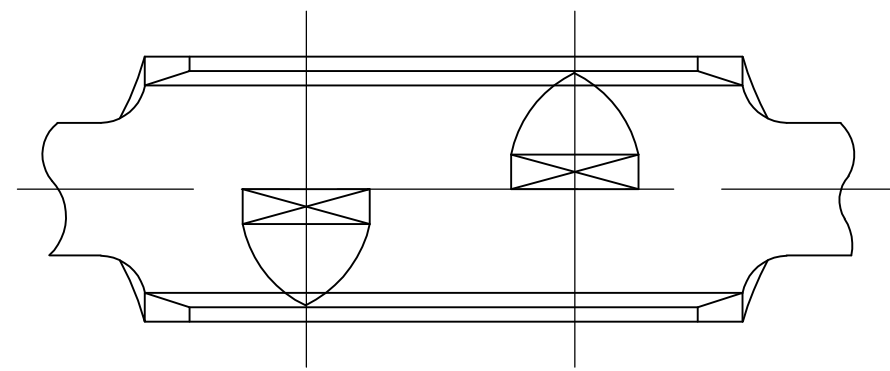


THIS DRAWING IS UNPUBLISHED. RELEASED FOR PUBLICATION
 © COPYRIGHT BY TYCO ELECTRONICS CORPORATION. ALL RIGHTS RESERVED.

LOC	DIST	REVISIONS				
P	LTR	DESCRIPTION	DATE	DWN	APVD	
AF	50	J1	ECR-07-019054(REDRAWN IN AUTOCAD)	05JUL07	HMR	GP

- 1 CONTINUOUS STRIP ON REELS
- 2 WIRE RANGE: 22 AWG
- 3 INSULATION RANGE: .050 - .065 DIA.



	NICKEL	485064-4
OBSOLETE	TIN	485064-3
	GOLD OVER NICKEL	485064-2
	NONE	485064-1
	FINISH	PART NO

THIS DRAWING IS A CONTROLLED DOCUMENT.		DWN RAGHAVENDRA 05JUL07	Tyco Electronics Corporation Harrisburg, PA 17105-3608														
DIMENSIONS: INCHES		CHK G.D.PORTA 05JUL07	NAME SPLICE INSULATION PIERCING														
TOLERANCES UNLESS OTHERWISE SPECIFIED:		APVD G.D.PORTA 05JUL07	PRODUCT SPEC —														
<table border="0"> <tr><td>0 PLC</td><td>± -</td></tr> <tr><td>1 PLC</td><td>± -</td></tr> <tr><td>2 PLC</td><td>± -</td></tr> <tr><td>3 PLC</td><td>± .010</td></tr> <tr><td>4 PLC</td><td>± -</td></tr> <tr><td>ANGLES</td><td>± -</td></tr> </table>		0 PLC	± -	1 PLC	± -	2 PLC	± -	3 PLC	± .010	4 PLC	± -	ANGLES	± -	APPLICATION SPEC —	SIZE A3	CAGE CODE 00779	DRAWING NO C-485064
0 PLC	± -																
1 PLC	± -																
2 PLC	± -																
3 PLC	± .010																
4 PLC	± -																
ANGLES	± -																
MATERIAL BRASS	FINISH SEE TABLE	WEIGHT —	RESTRICTED TO —														
CUSTOMER DRAWING			SCALE 15:1	SHEET 1 OF 1	REV J1												

单击下面可查看定价，库存，交付和生命周期等信息

[>>TE Connectivity\(泰科\)](#)