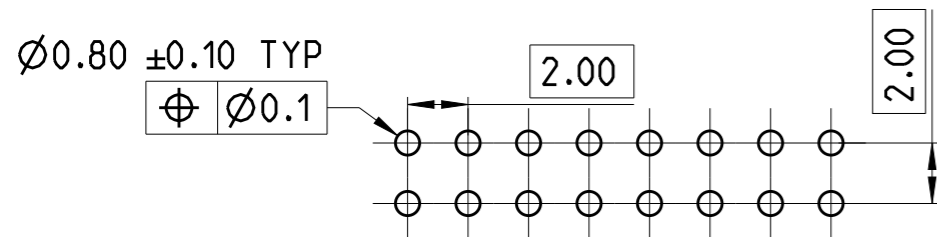
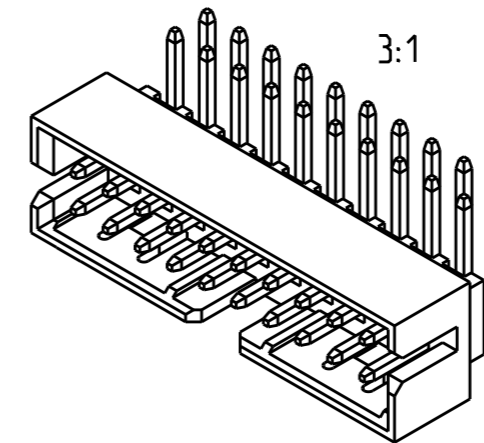
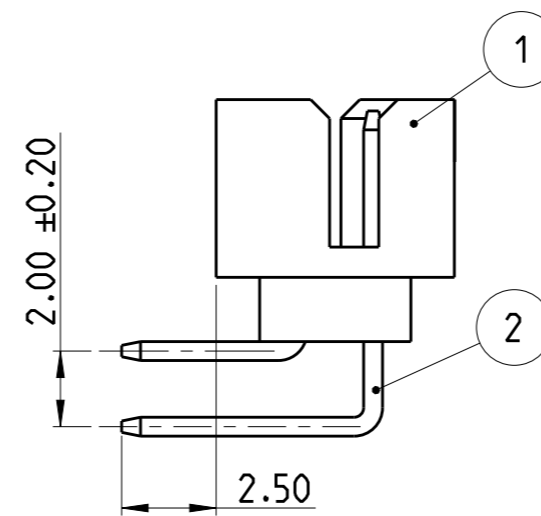
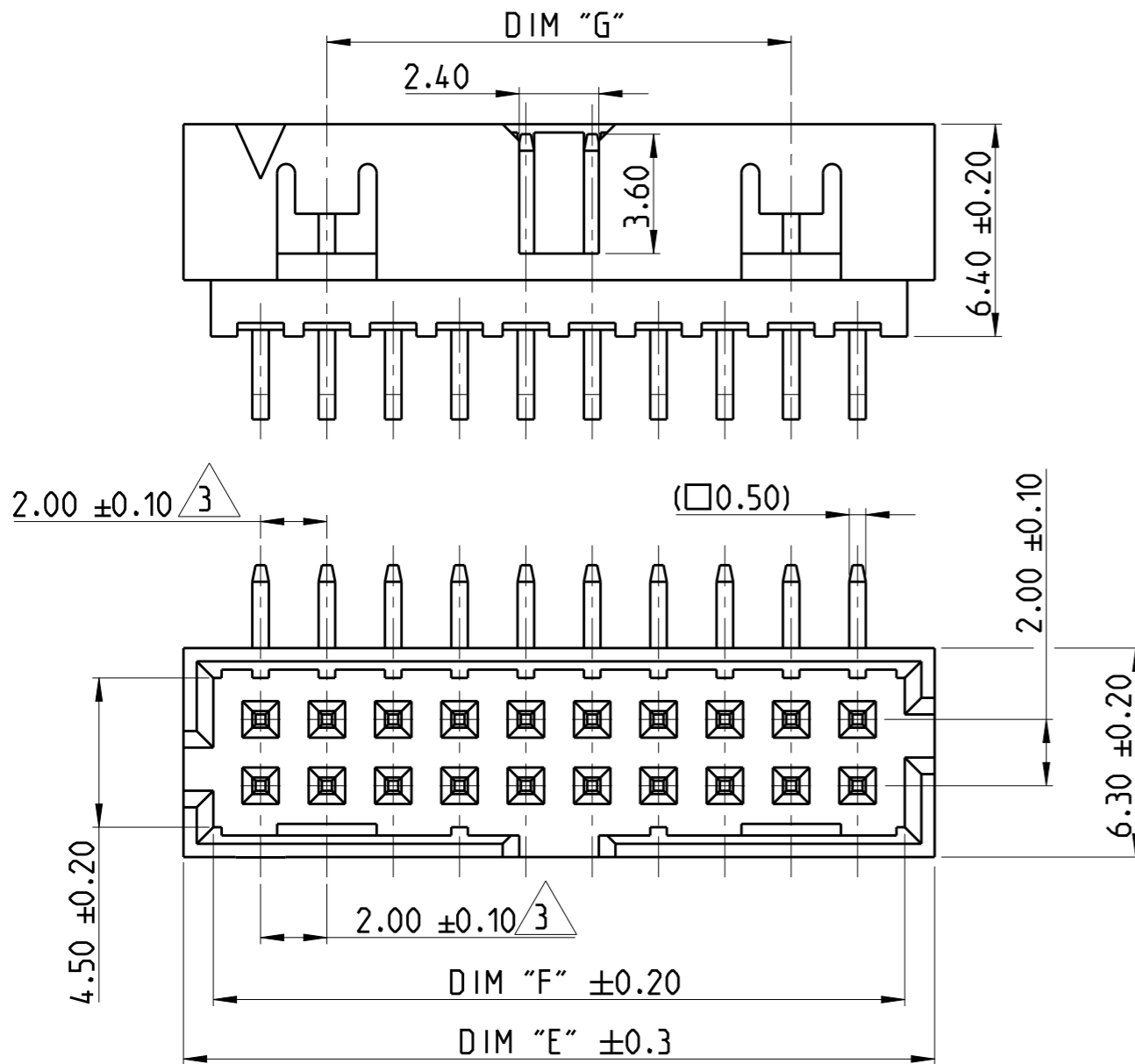


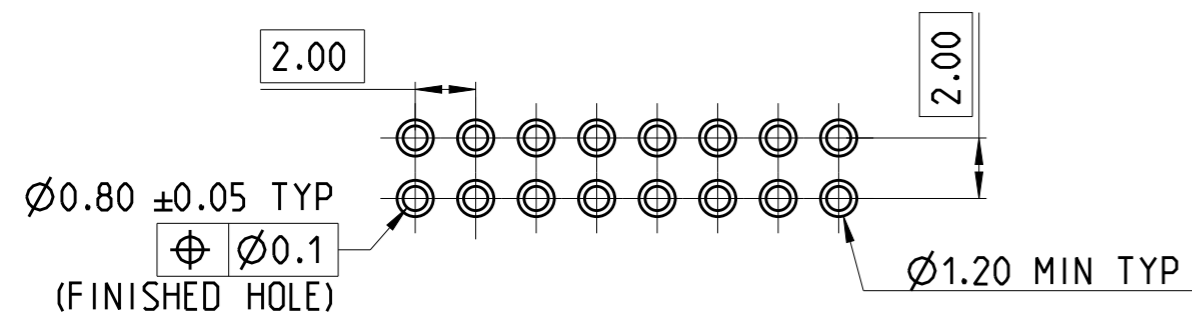
P	LTR	DESCRIPTION	DATE	DWN	APVD
A		RELEASE TO PRODUCTION	29NOV2019	AY	PS

NOTES:

- MATERIAL
HOUSING : HIGH TEMPERATURE THERMOPLASTIC, UL94-V0; COLOR- BLACK
CONTACT PIN : COPPER ALLOY
FINISH :
MATING SIDE : MIN. 0.38 μm GOLD OVER NICKEL UNDER PLATING.
SOLDER SIDE : MIN. 2.0 μm TIN OVER NICKEL UNDER PLATING.
 - PACKAGING: TUBE.
- △ TOLERANCE NOT CUMULATIVE.



RECOMMENDED PCB HOLE PATTERN FOR THROUGH HOLE WAVE



RECOMMENDED PCB HOLE PATTERN FOR THROUGH HOLE REFLOW/PIN-IN-PASTE

2-2842249-0 AS SHOWN

CONTACT PIN	2
HOUSING	1
DESCRIPTION	ITEM NO.

DIM "G"	DIM "F"	DIM "E"	POS.	TE PN
44	50.85	52.65	50	5-2842249-0
38	44.85	46.65	44	4-2842249-4
34	40.85	42.65	40	4-2842249-0
28	34.85	36.65	34	3-2842249-4
24	30.85	32.65	30	3-2842249-0
20	26.85	28.65	26	2-2842249-6
18	24.85	26.65	24	2-2842249-4
14	20.85	22.65	20	2-2842249-0
10	16.85	18.65	16	1-2842249-6
8	14.85	16.65	14	1-2842249-4

THIS DRAWING IS A CONTROLLED DOCUMENT.		DWN ANKIT YADAV 9SEP2019		
		CHK KARTHIK JK 12SEP2019		
		APVD PRASHANTH S 13SEP2019	NAME AMPMODU 2mm SHROUDED HEADER, DUAL ROW, RIGHT ANGLE, 0.38 Au, TUBE	
DIMENSIONS: mm		PRODUCT SPEC 108-64040	SIZE A3	
TOLERANCES UNLESS OTHERWISE SPECIFIED:		APPLICATION SPEC 114-32259	CAGE CODE 00779	
0 PLC ±		WEIGHT -	DRAWING NO C-2842249	
1 PLC ±0.25		RESTRICTED TO -		
2 PLC ±		SCALE 5:1		
3 PLC ±		SHEET 1 OF 1		
4 PLC ±2°		REV A		
ANGLES		CUSTOMER DRAWING		
FINISH SEE NOTES				

单击下面可查看定价，库存，交付和生命周期等信息

[>>TE Connectivity\(泰科\)](#)