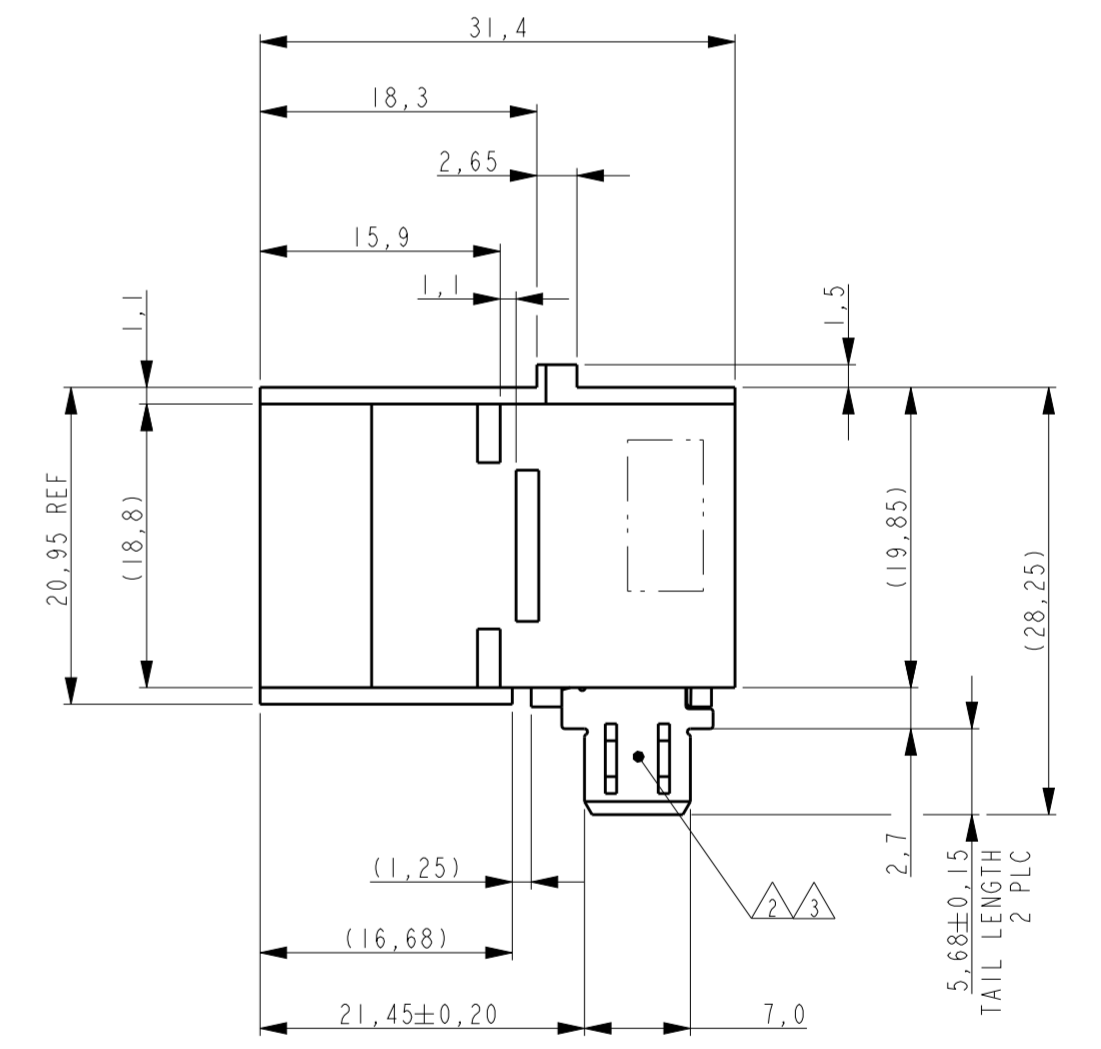
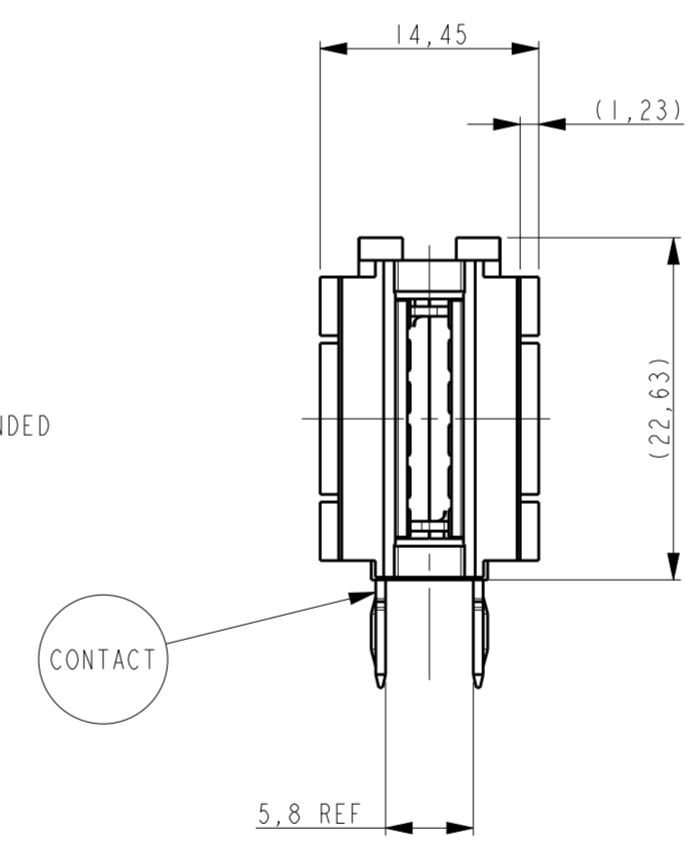
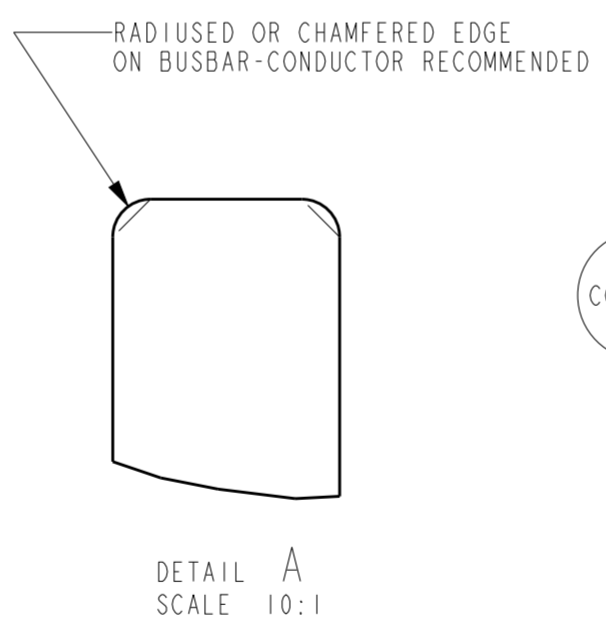
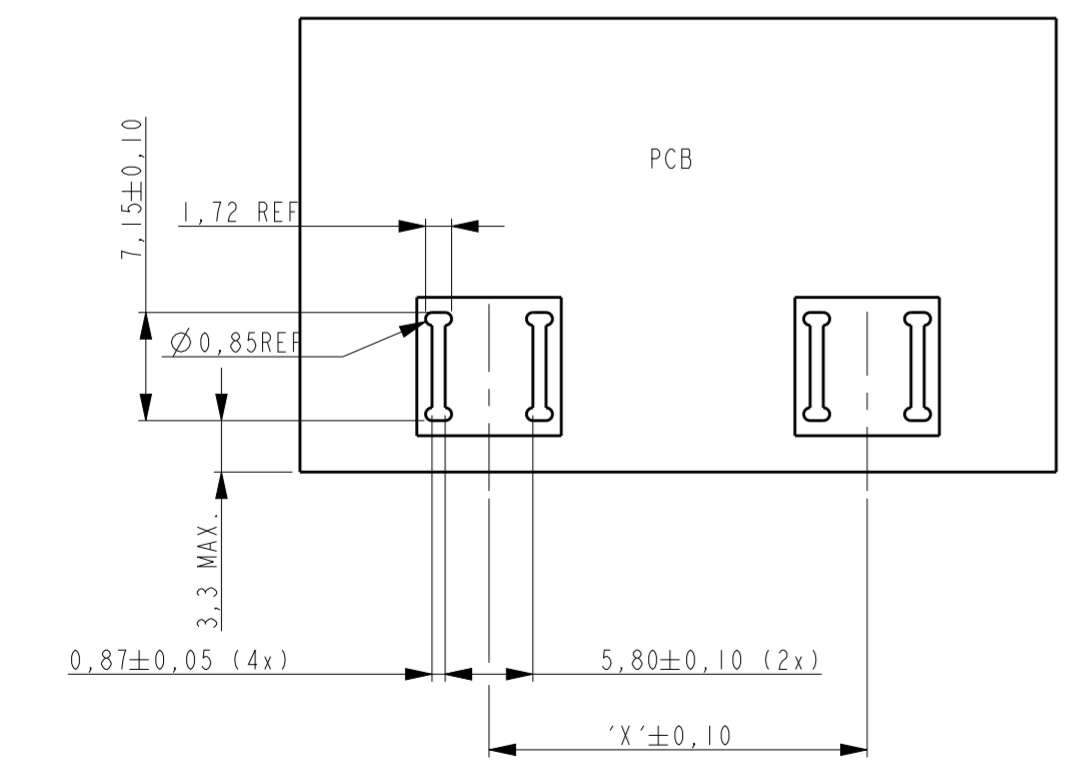
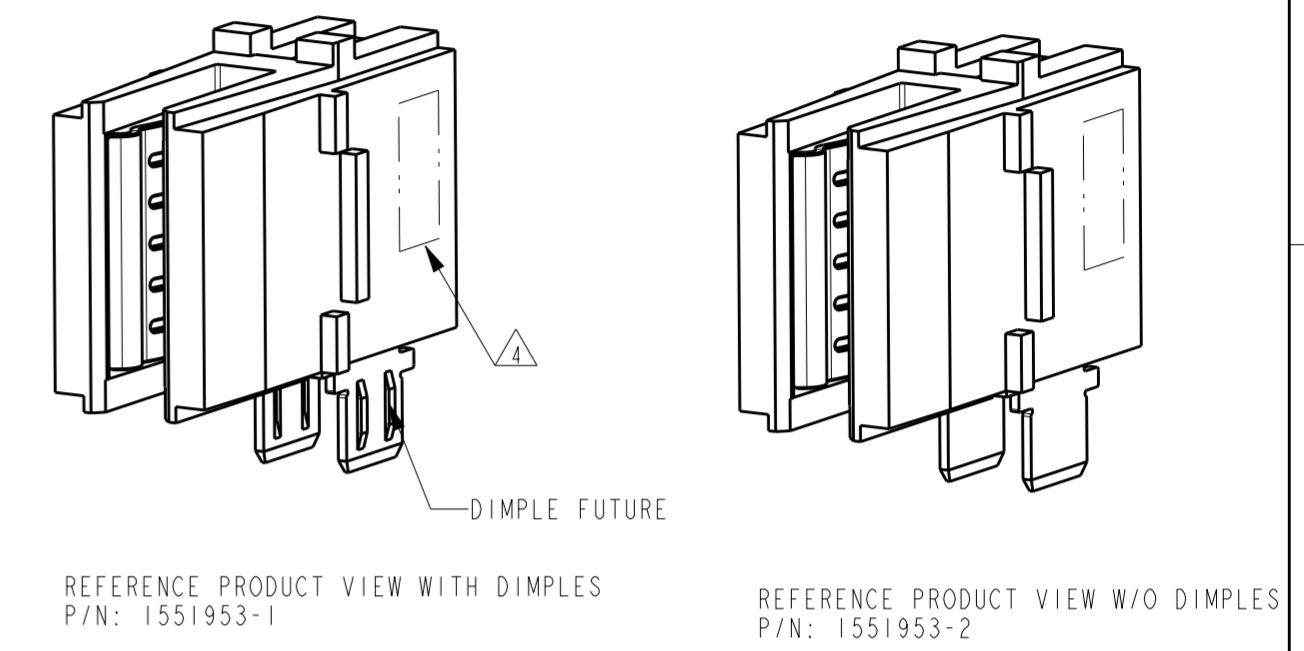
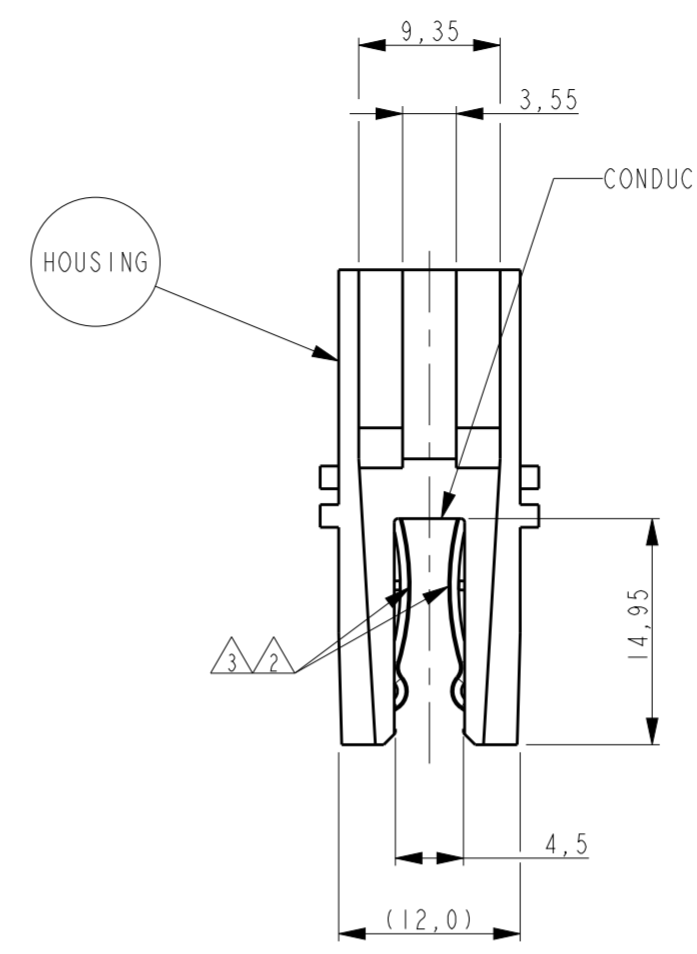
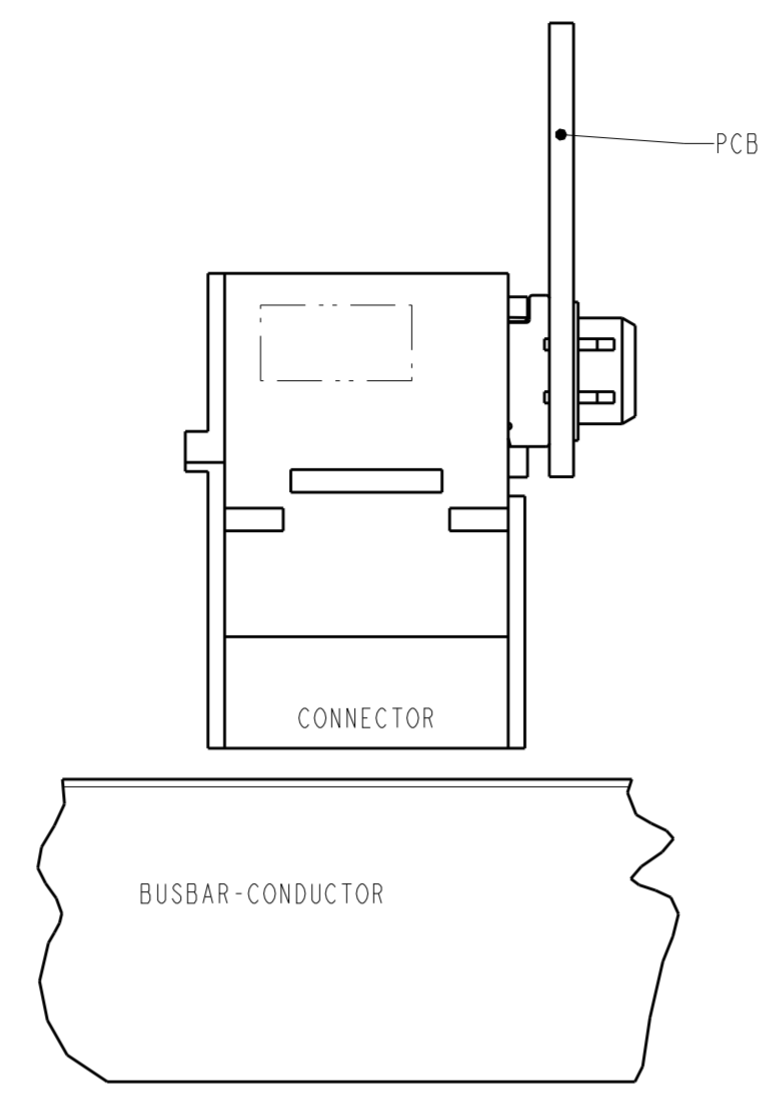
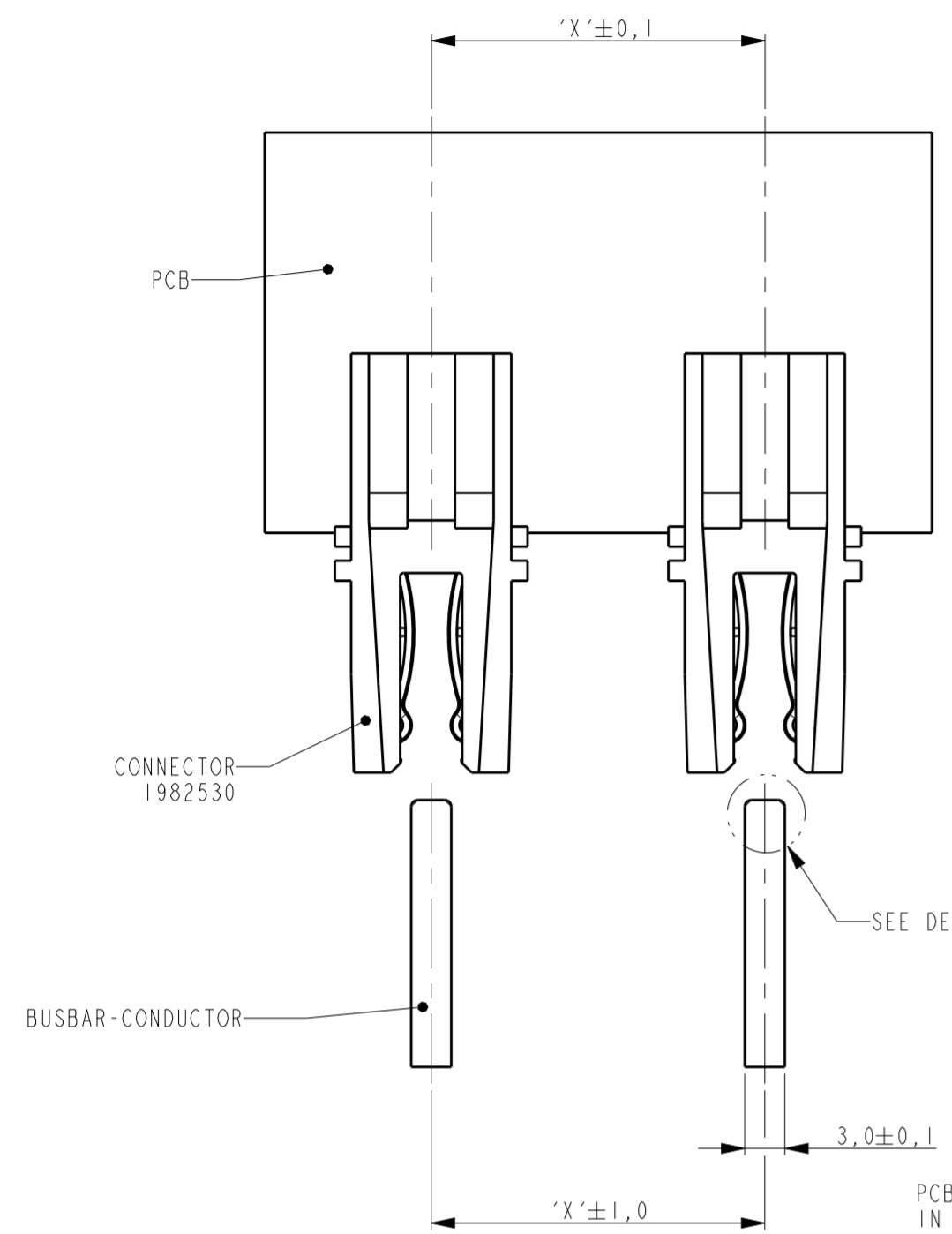


THIS DRAWING IS UNPUBLISHED. RELEASED FOR PUBLICATION  
 © COPYRIGHT - BY - ALL RIGHTS RESERVED.

REVISIONS					
P	LTR	DESCRIPTION	DATE	DWN	APVD
A5		REV PER ECR-15-005882	20APR2015	ML	SZ
A6		REV PER ECR-16-002758	24AUG2016	ML	SZ



- NOTES:
- 1 PCB MUST BE SUPPORTED WHILE INSERTING THE CONNECTOR IN THE SLOTS TO AVOID BENDING OF THE BOARD.
  - △1 PLATING: 1,2µm MIN. NICKEL UNDERLAYER ALLOVER.
  - △2 3,0µm MIN. TIN IN INDICATED AREA'S.
  - △3 AREA FOR PART NUMBER AND DATE CODE.
  - △4 MATERIAL: POWER CONTACT: HIGH CONDUCTIVITY COPPER ALLOY. HOUSING: THERMOPLASTIC, BLACK, UL94 V-0.

5.68	NO	CROWN CLIP JUNIOR BUS BAR	1551953-2	2
5.68	YES	CROWN CLIP JUNIOR BUS BAR	1551953-1	1
TAIL LENGTH	DIMPLE FEATURE	DESCRIPTION	PART NUMBER	ITEM

THIS DRAWING IS A CONTROLLED DOCUMENT.		DWN RAVINDRA K 07DEC10	TE Connectivity	
DIMENSIONS: mm		CHK R. DAAMEN 10DEC10		
TOLERANCES UNLESS OTHERWISE SPECIFIED:		APVD T. D. BOER 10DEC10	NAME PLUGGABLE BUS BAR CONNECTOR SOLDER VERSION CROWN CLIP JUNIOR	
0 PLC ±		PRODUCT SPEC 108-19360	SIZE CAGE CODE DRAWING NO RESTRICTED TO	
1 PLC ±0.30		APPLICATION SPEC 114-19128	A2 00779 C-1551953	
2 PLC ±0.15		WEIGHT -	SCALE 2:1 SHEET 1 OF 1 REV A6	
3 PLC ±0.05		Customer Drawing		
4 PLC ±				
ANGLES ±2°				
FINISH -				

单击下面可查看定价，库存，交付和生命周期等信息

[>>TE Connectivity\(泰科\)](#)