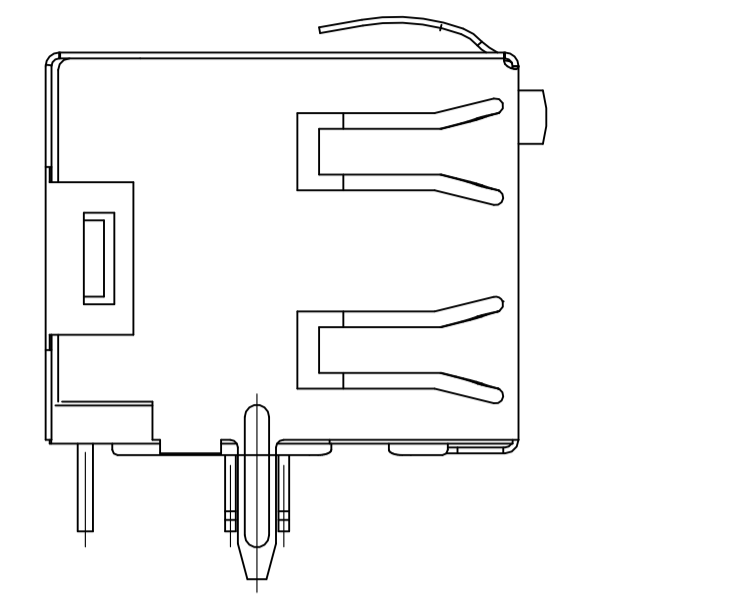
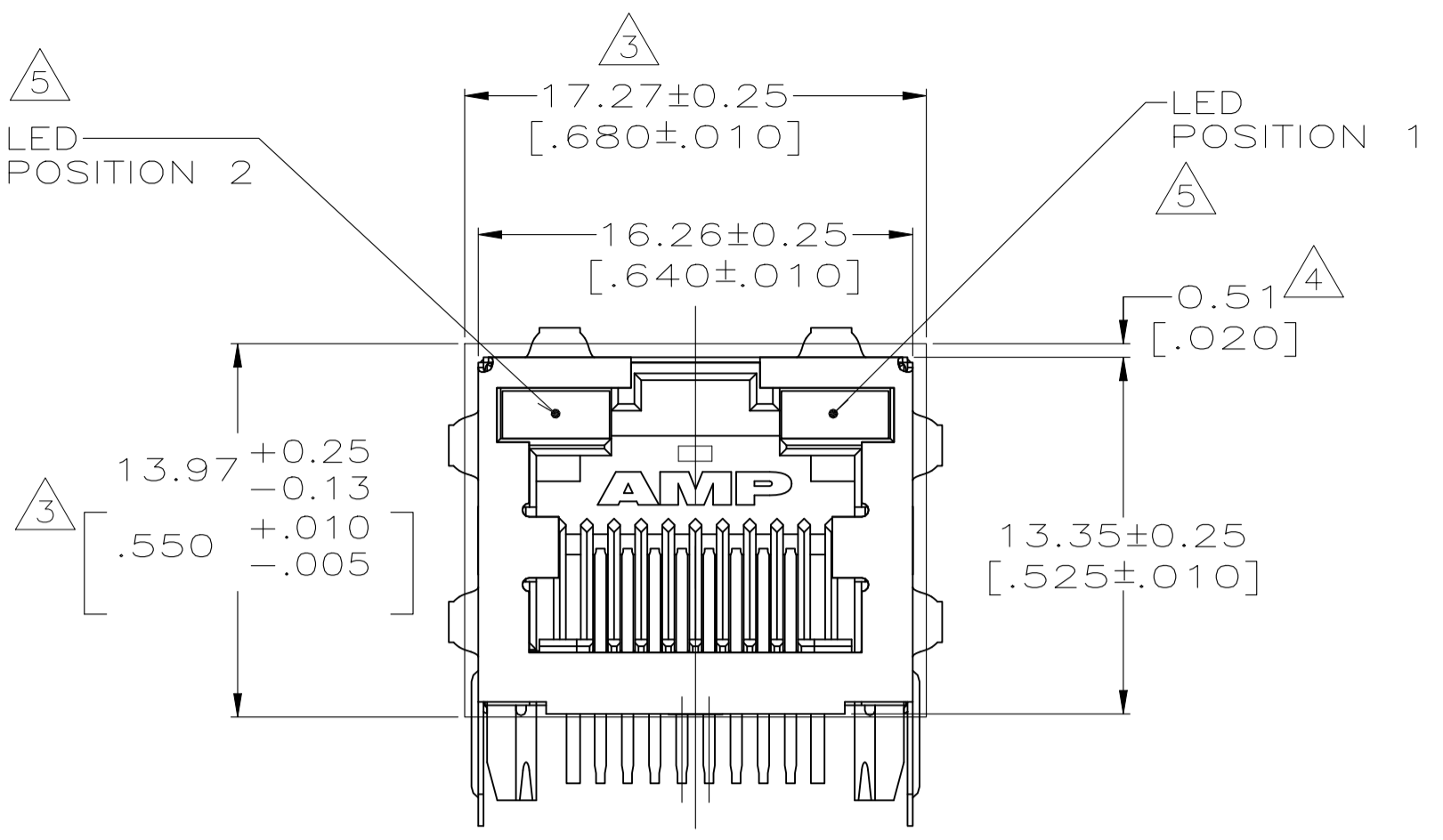
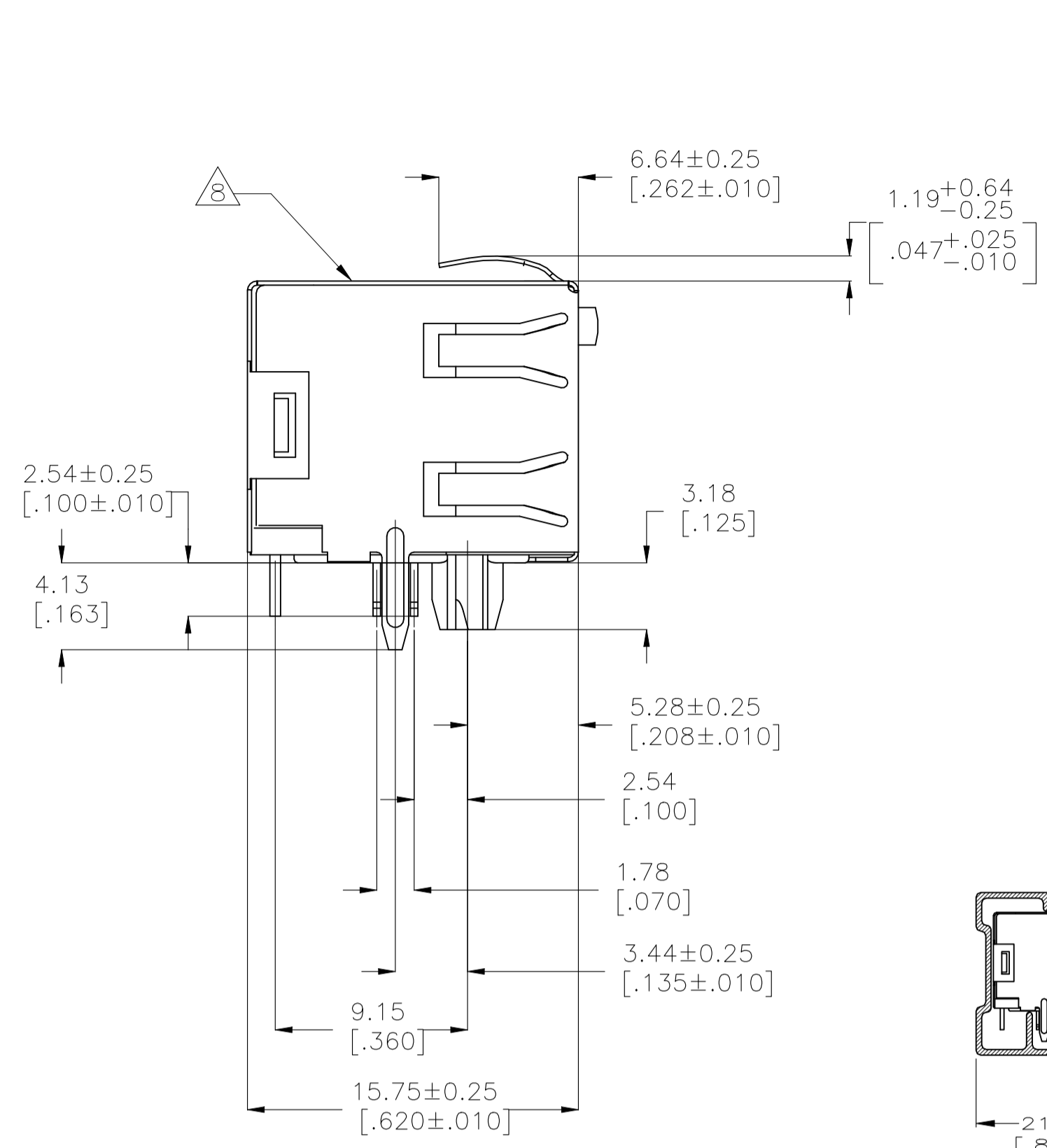
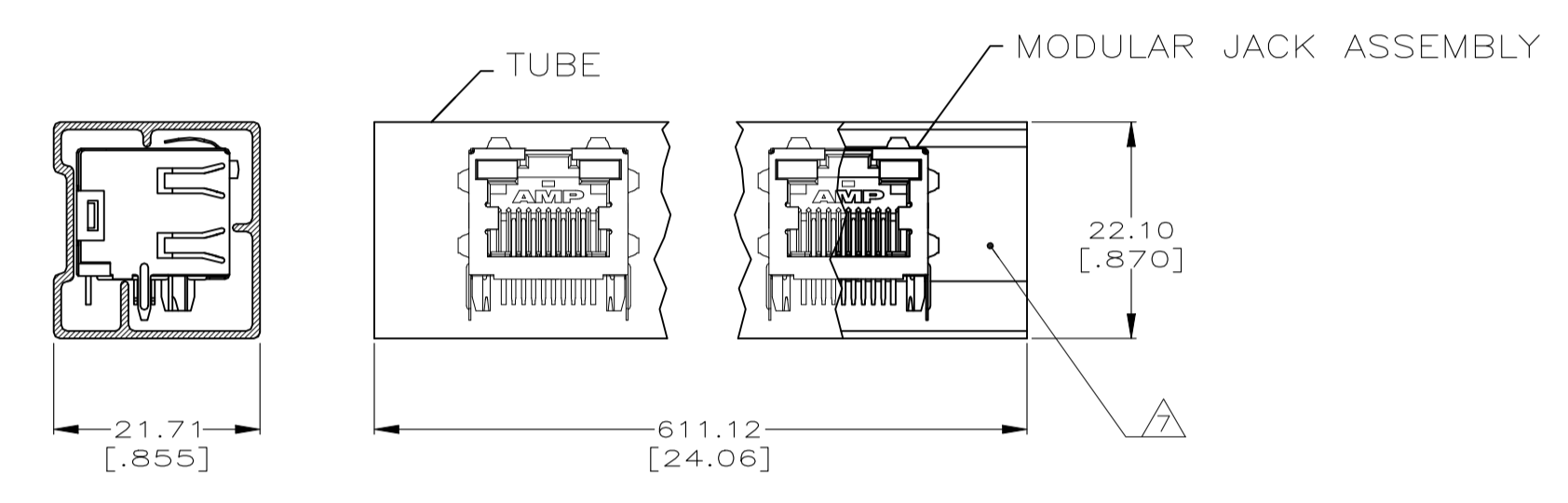


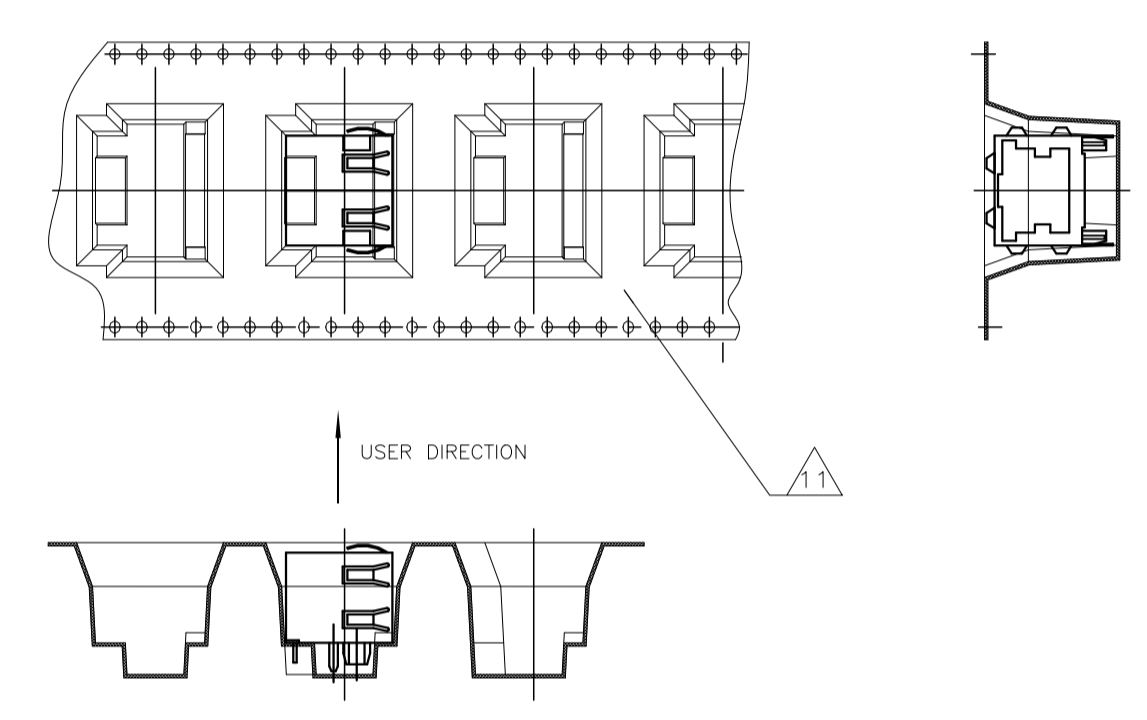
REVISIONS					
P	LTR	DESCRIPTION	DATE	DWN	APVD
Y		REVISED PER ECO-21-002071	08SEP2021	AK	SZ



VIEW OF 3-406549-8, 4-406549-8;

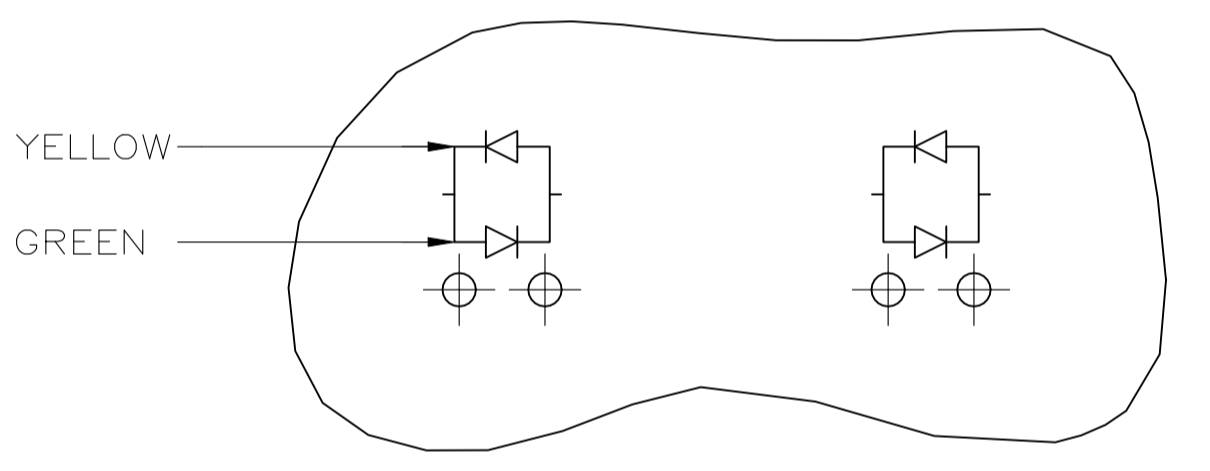


DETAIL A  
TUBE PACKAGE  
SCALE 2:1

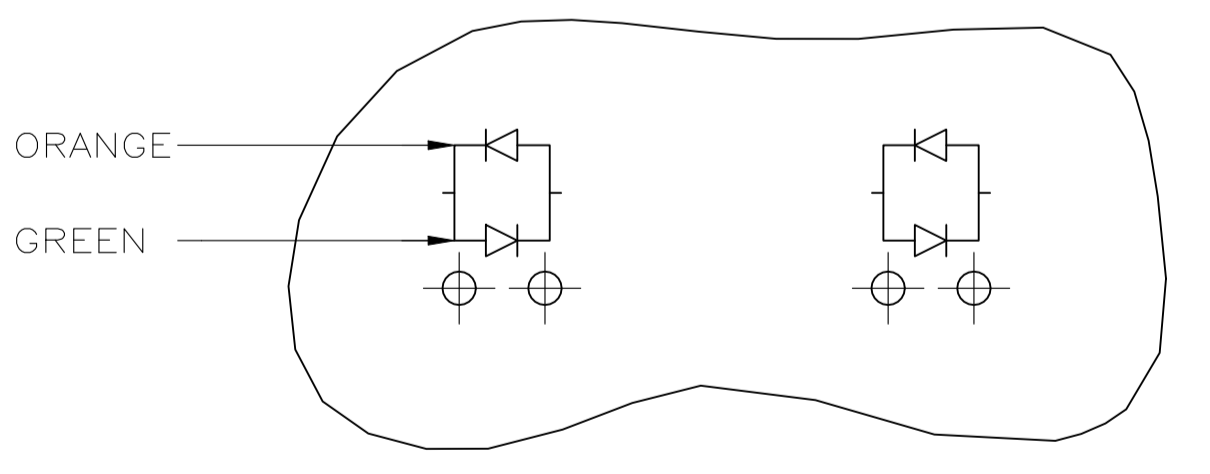


DETAIL B  
TAPE REEL PACKAGE  
SCALE 2:1

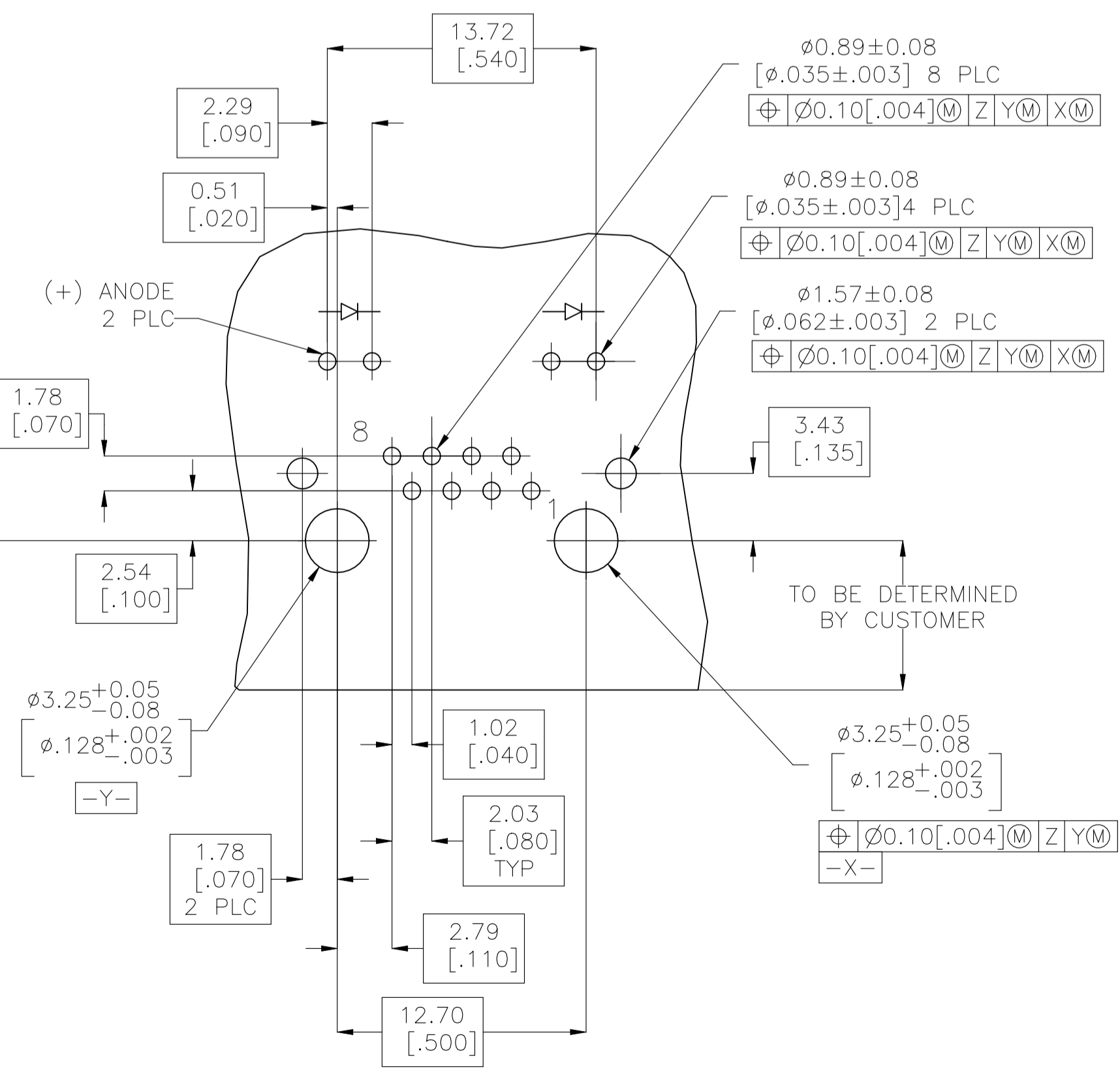
- 1 MATERIAL: HOUSING – HIGH TEMPERATURE THERMOPLASTIC, BLACK, UL94V-0. TERMINALS – 0.36[.014] THICK PHOS BRONZE PLATED WITH 3.81μm[.000150] MINIMUM THICK (SEE P/N TABLE) IN SOLDER AREA. 1.27μm[.000050] MINIMUM GOLD IN LOCALIZED PLATE AREA. ENTIRE TERMINAL PLATED WITH 1.27μm[.000050] MINIMUM THICK NICKEL. SHIELD – 0.196[.0077] THICK COPPER ZINC ALLOY PREPLATED WITH 1.27μm[.000050] MINIMUM SATIN NICKEL WITH 2.03μm[.000080] MINIMUM TIN POST DIPPED ON PCB GROUND TABS. LIGHT EMITTING DIODE (LED) – DIFFUSED EPOXY LENS, 0.51 x 0.51[.020 x .020] CARBON STEEL WIREFRAME LEADS PLATED WITH 8.89μm[.000350] TIN/COPPER OVER 2.03[000080] SILVER OVER 1.02μm[.000040] NICKEL UNDERPLATE OVER 1.02μm[.000040] COPPER UNDERPLATE.
- 2. JACK CAVITY CONFORMS TO FCC RULES AND REGULATIONS PART 68, SUBPART F.
- 3 SUGGESTED PANEL OPENING DIMENSIONS.
- 4 SUGGESTED CLEARANCE BETWEEN TOP OF CONNECTOR AND TOP PANEL OPENING.
- 5 SEE TABLE FOR COLOR OF LEDS AND NUMBER REQUIRED.
- 6. THIS MODULAR JACK WITH INTEGRATED LED IS NOT IR REFLOW SOLDERING PROCESS COMPATIBLE.
- 7 PACKAGED 30 PIECES PER TUBE, SEE DETAIL "A".
- 8 MANUFACTURING DATE CODE: LOCATED APPROX. AS SHOWN. FIRST 2 DIGITS = LAST 2 DIGITS OF YEAR. NEXT 2 DIGITS = MANUFACTURING WORK WEEK. LAST DIGIT = DAY OF WEEK WITH SUNDAY = 1.
- 9 THE PART IS PRELIMINARY.
- 10 OBSOLETE PARTS: OBSOLETE CIS STREAMLINING PER D.RENAUD/D.SINISI
- 11 TAPE REEL PACKAGE ,SEE DETAIL B.
- 12 WITHOUT PLASTIC POST, SEE VIEW OF 3-406549-8, AND 4-406549-8;
- 13 REFLOW SOLDER PROCESS COMPATIBLE 245 DEGREE CELSIUS, WITHIN 10 SECONDS.



LED CURRENT DIAGRAM  
406549-8, 2-406549-8



LED CURRENT DIAGRAM  
2-406549-7 ONLY



RECOMMENDED PRINTED CIRCUIT BOARD LAYOUT  
(COMPONENT SIDE)

TERMINAL LEAD PLATING	PACKAGING	INDICATOR COLOR	PART NUMBER
13 MATTE TIN	11 TAPE REEL	YELLOW/GREEN	4-406549-8
OBSOLETE MATTE TIN	11 TAPE REEL	YELLOW/GREEN	3-406549-8
OBSOLETE MATTE TIN	TRAY	-	3-406549-3
OBSOLETE MATTE TIN	TRAY	RED	3-406549-2
OBSOLETE MATTE TIN	13 TUBE	YELLOW	3-406549-1
OBSOLETE MATTE TIN	TRAY	ORANGE/GREEN	3-406549-0
OBSOLETE MATTE TIN	TRAY	ORANGE/GREEN	2-406549-9
	MATTE TIN	YELLOW/GREEN	2-406549-8
	MATTE TIN	ORANGE/GREEN	2-406549-7
10 OBSOLETE	MATTE TIN	TRAY	YELLOW
	MATTE TIN	TRAY	GREEN
	MATTE TIN	TRAY	GREEN
9 OBSOLETE	MATTE TIN	TRAY	YELLOW
	MATTE TIN	TRAY	-
	MATTE TIN	TRAY	GREEN
	MATTE TIN	TRAY	GREEN
	MATTE TIN	TRAY	YELLOW
	MATTE TIN	TRAY	YELLOW/GREEN
OBSOLETE	TIN-LEAD	TRAY	YELLOW
OBSOLETE	TIN-LEAD	TRAY	GREEN
OBSOLETE	TIN-LEAD	TRAY	GREEN
OBSOLETE	TIN-LEAD	TRAY	YELLOW
OBSOLETE	TIN-LEAD	TRAY	-
OBSOLETE	TIN-LEAD	TRAY	GREEN
OBSOLETE	TIN-LEAD	TRAY	GREEN
		POSITION 2	POSITION 1

THIS DRAWING IS A CONTROLLED DOCUMENT.		DWN: G. GARRETT 17-SEP-97	
DIMENSIONS: mm [INCHES]		CHK: G. GARRETT 17-SEP-97	
TOLERANCES UNLESS OTHERWISE SPECIFIED:		APVD: M. DERSTINE 17-SEP-97	
0 PLC ± -		NAME: M. DERSTINE	
1 PLC ± -		PRODUCT SPEC: 108-1163-4	
2 PLC ± 0.25(.01)		APPLICATION SPEC: 114-2154	
3 PLC ± 0.13(.005)		SIZE: A1	
4 PLC ± -		CAGE CODE: 00779	
ANGLES ± -		DRAWING NO: 406549	
FINISH: SEE NOTE 1		RESTRICTED TO: -	
MATERIAL: SEE NOTE 1		WEIGHT: -	
CUSTOMER DRAWING		SCALE: 4:1	
		SHEET: 1 OF 1	
		REV: Y	

单击下面可查看定价，库存，交付和生命周期等信息

[>>TE Connectivity\(泰科\)](#)