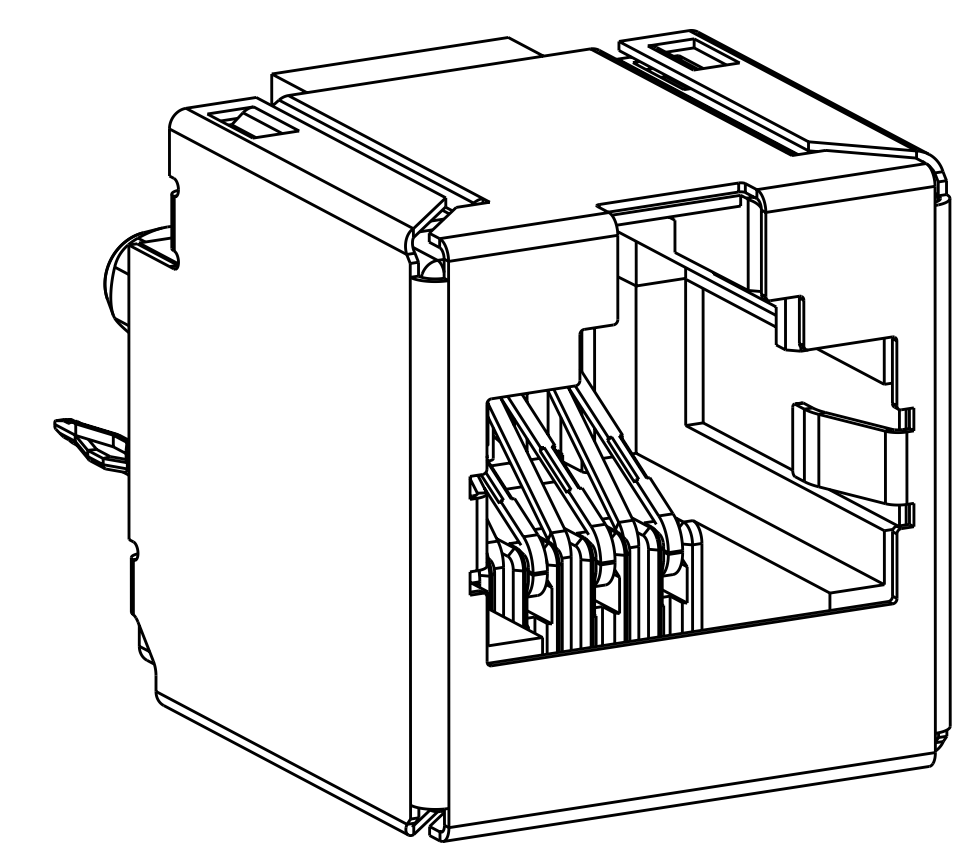
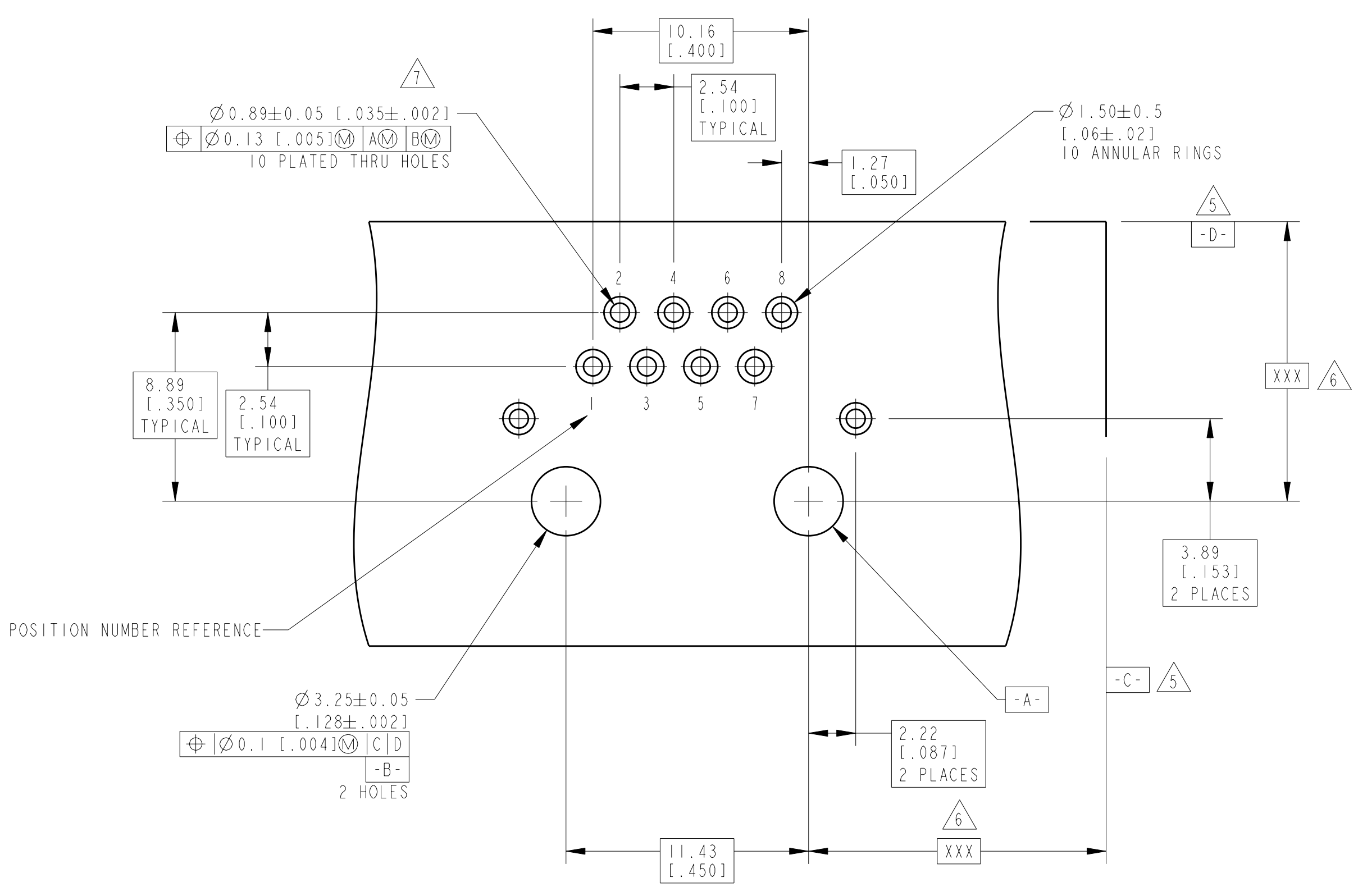
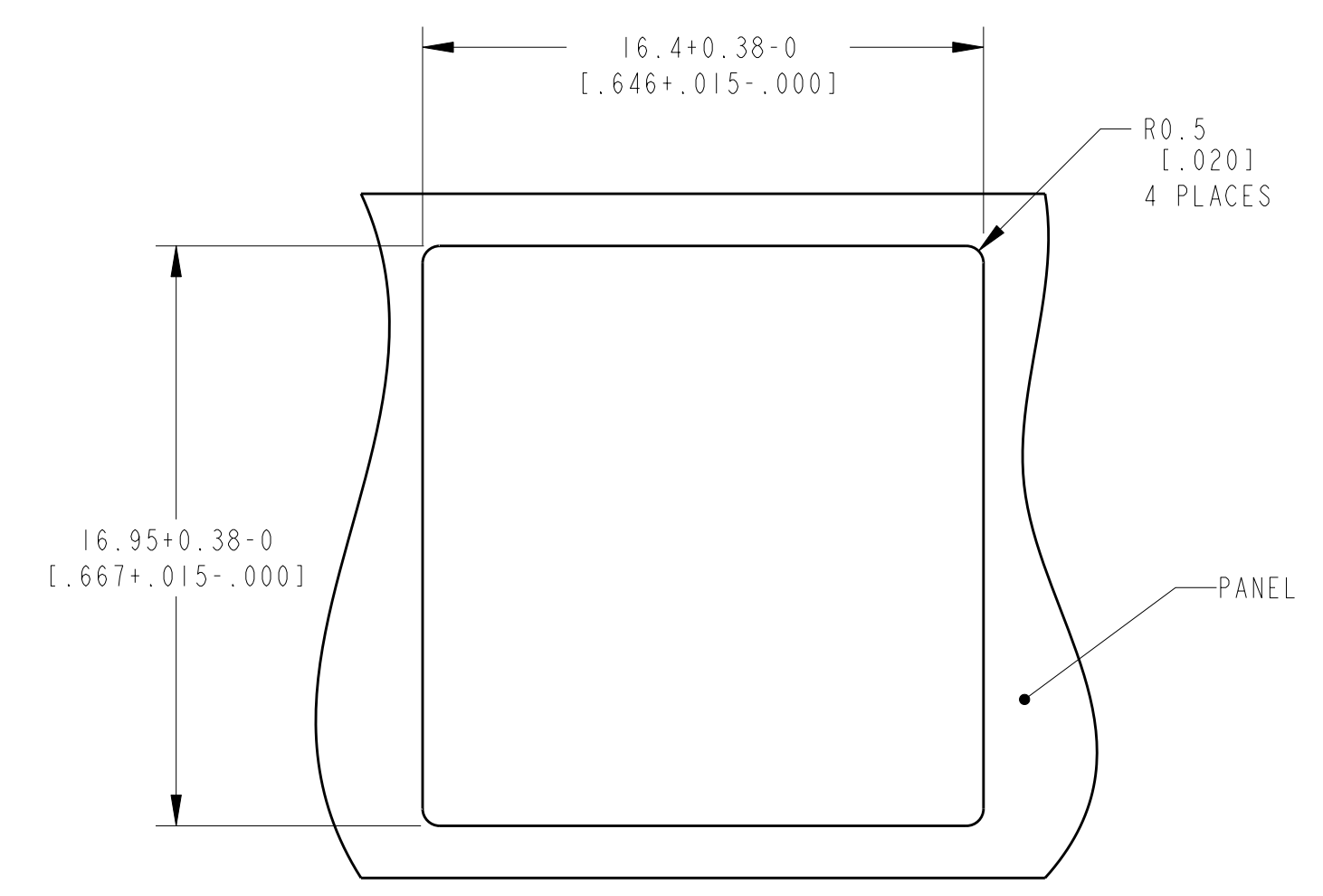
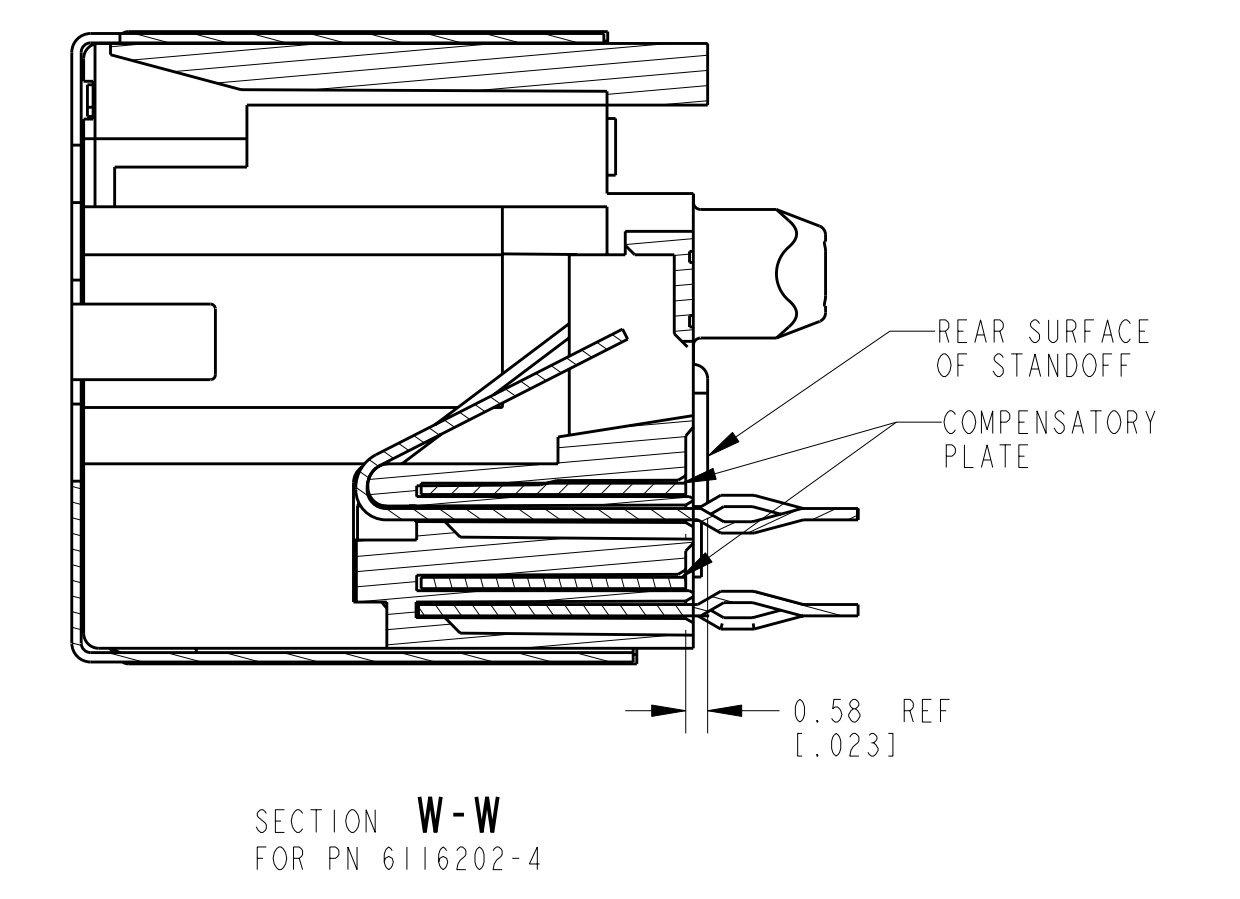
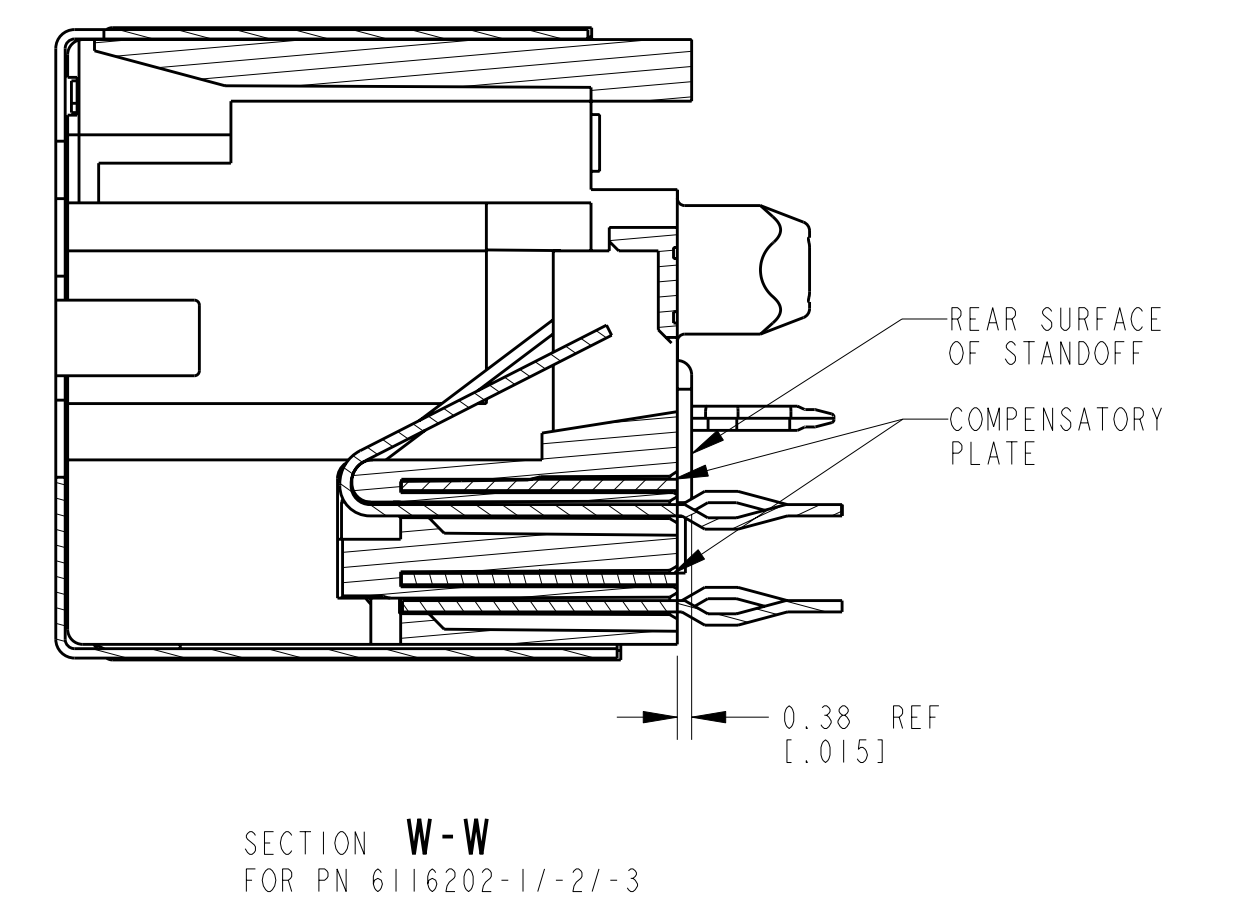
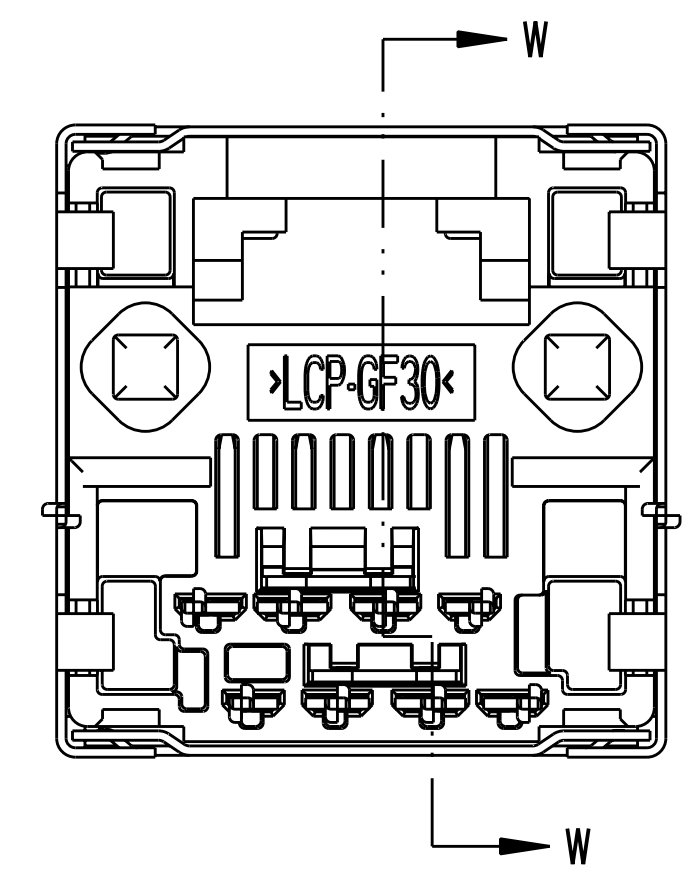
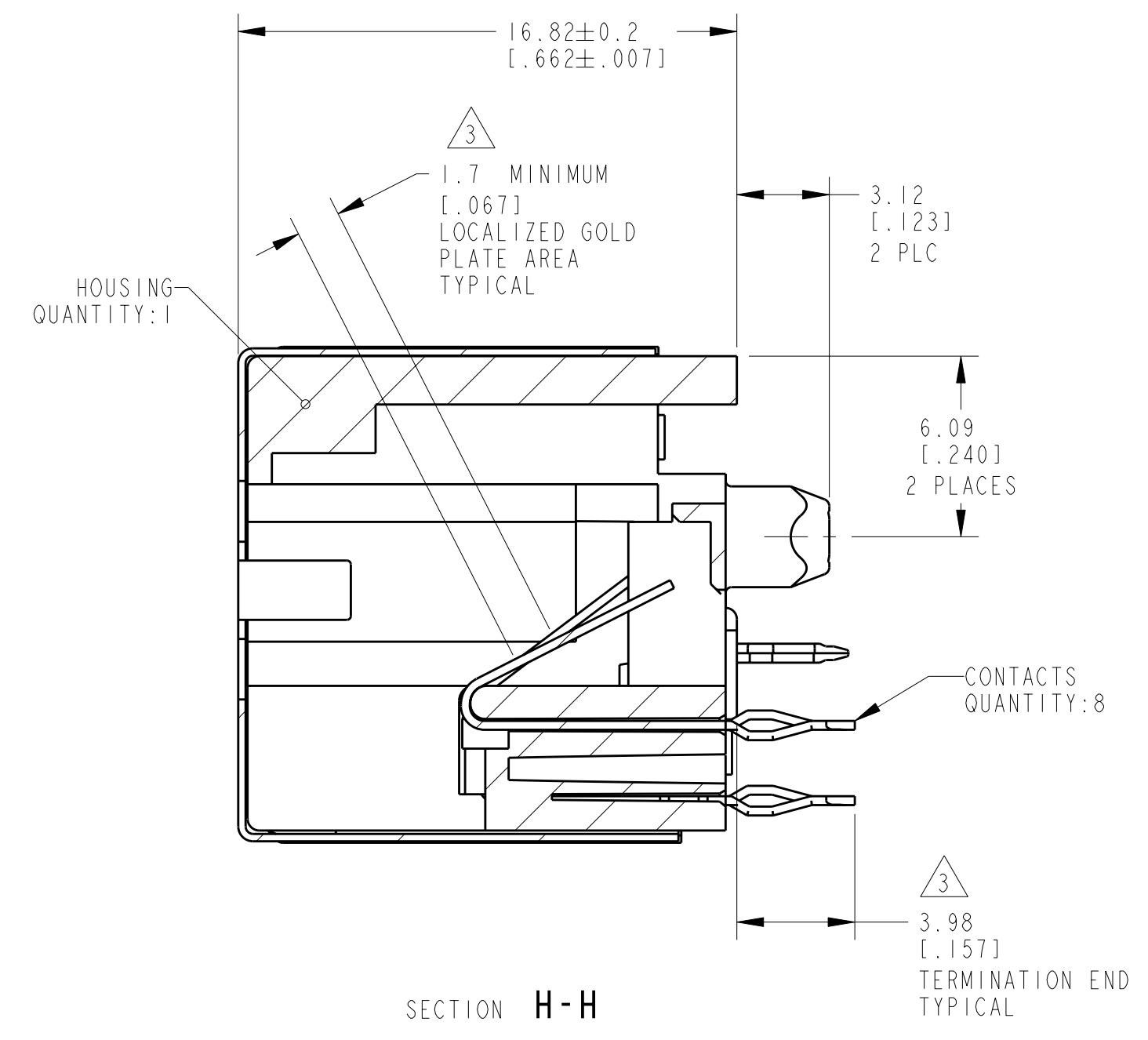
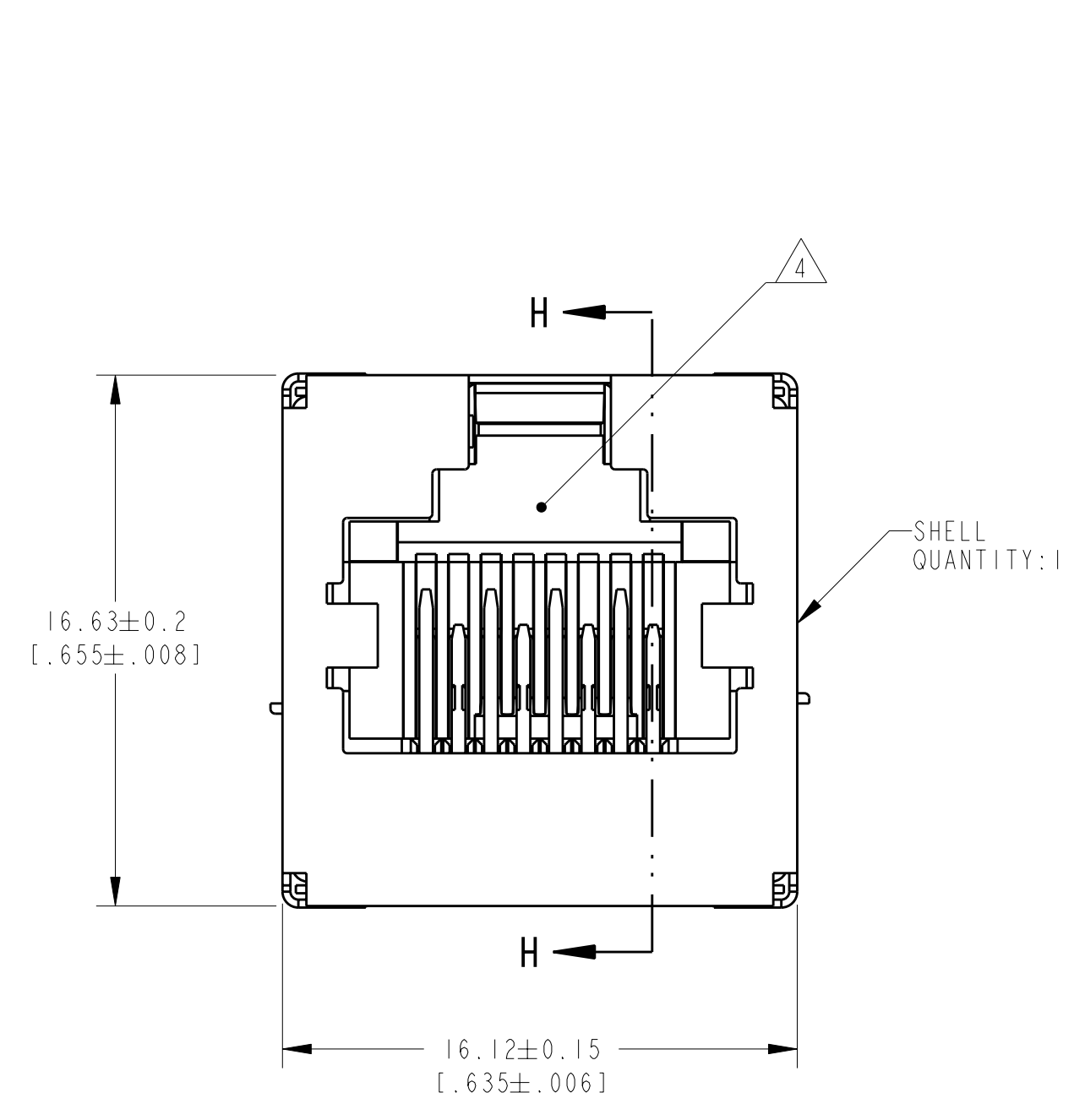


LOC	DIST	REV	DESCRIPTION	DATE	DWN	APVD
AA	22	D3	REVISED PER ECO-11-005033	18MAR2011	RK	HMR
		E	ECO-11-019083	22SEP2011	JJ	MOW



- 1 THERMOPLASTIC.
- 2 PHOSPHOR BRONZE
- 3 1.27 um [.000050] MIN GOLD IN LOCALIZED GOLD PLATE AREA, 2 um [.000079] MIN MATTE TIN ON TERMINATION END, BOTH OVER 1.27 um [.000050] MIN NICKEL.
- 4 CAVITY CONFORMS TO FCC 47 CFR 68 PART F.
- 5 DATUMS ESTABLISHED BY CUSTOMER.
- 6 DIMENSIONS ESTABLISHED BY CUSTOMER.
- 7 DRILLED HOLE DIAMETER 1.02±0.03 [.040±.001]. COPPER THK 0.03-0.08 [.001-.003]. TIN THICKNESS 8 um [.000315] MIN.
- 8 COPPER ZINC ALLOY
- 9 2.03 um [.000080] MIN BRIGHT TIN OVER 1.27 um [.000050] MIN NICKEL
- 10 PC BOARDS GREATER THAN 1.57 [1.062] IN THICKNESS MAY REQUIRE SPECIAL EXTRACTION TOOLING, CONSULT ENGINEERING.
- 11 PACKAGED 29 PIECES PER TUBE
- 12 PACKAGED 27 PIECES PER TUBE
- 13 WITH IMPROVED CHAMFERS ON TERMINAL EDGES.
- 14 WITHOUT COMPENSATORY PLATE

REV	DESCRIPTION	PART NUMBER
1	NATURAL	6116202-6
2	NATURAL	6116202-5
3	BLACK	6116202-4
4	NATURAL	6116202-3
5	NATURAL	6116202-2
6	BLACK	6116202-1
7	PACKAGING	COLOR
8	PACKAGING	PART NUMBER

THIS DRAWING IS A CONTROLLED DOCUMENT.

DIMENSIONS: mm [INCHES]

TOLERANCES UNLESS OTHERWISE SPECIFIED:

9 PLC	±	
1 PLC	±0.3	[.012]
5 PLC	±0.13	[.005]
4 PLC	±	
ANGLES	±	

MATERIAL FINISH

1 2 8 3 9

DWN: A. MAYER 20APR2005
 CHK: J. WESTMAN 20APR2005
 APVD: S. FLICKINGER 20APR2005

NAME: MODULAR JACK ASSEMBLY, VERTICAL, COMPLIANT PIN, SHIELDED, 8 POSITION, CATEGORY 5

PRODUCT SPEC: 108-1163-6
 APPLICATION SPEC: 114-2158

WEIGHT: -

CUSTOMER DRAWING

SCALE: 5:1

SHEET 1 OF 1

REV E

单击下面可查看定价，库存，交付和生命周期等信息

[>>TE Connectivity\(泰科\)](#)