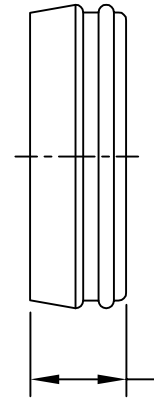
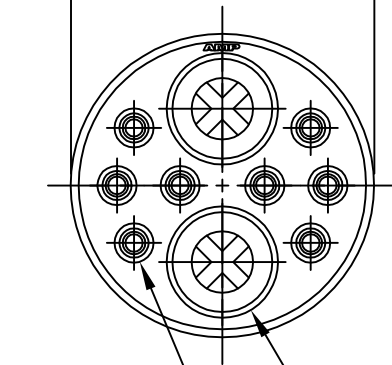


REVISIONS

P	LTR	DESCRIPTION	DATE	DWN	APVD
	C1	REVISED PER ECO-09-020689	27AUG09	KK	AEG
	D	REVISED PER ECO-18-000963	22JAN2018	RS	MZ

$\phi 20.07 \pm 0.25$   
 $[\phi .790 \pm .010]$



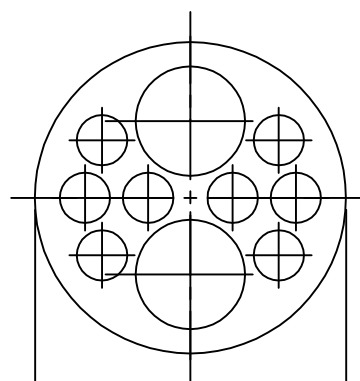
$\phi 6.35 \pm 0.25$   
 $[\phi .250 \pm .010]$

ACCEPTS WIRE  
 INSULATION:  $\phi A$   
 2 HOLES

ACCEPTS WIRE  
 INSULATION:  $\phi 1.90 [.075]$  TO  $\phi 2.54 [.100]$   
 8 HOLES

SEAL  
 MATERIAL: SILICON, RED IRON OXIDE  
 QTY=1

1.90  
 $[\phi .075]$



$\phi 20.57$   
 $[\phi .810]$

PRESSURE PLATE  
 MATERIAL: NYLON, BLACK  
 QTY=1



OBSOLETE PARTS: OBSOLETE CIS STREAMLINING PER  
 D.RENAUD/D.SINISI



OBSOLETE	INDIVIDUAL	2.41-5.21 [.095-.205]	213900-5
OBSOLETE	-	-	213900-4
OBSOLETE	-	-	213900-3
	BULK	3.81-6.73 [.150-.265]	213900-2
	INDIVIDUAL	3.81-6.73 [.150-.265]	213900-1
	PACKAGING	A	PART NUMBER

THIS DRAWING IS A CONTROLLED DOCUMENT.

DWN D.HARDY 07/12/95

CHK R.STONE 07/13/95

APVD A.FRANTUM 07/13/95

PRODUCT SPEC

108-1579

APPLICATION SPEC

WEIGHT

CUSTOMER DRAWING



TE Connectivity Ltd.

NAME  
 SEAL ASSEMBLY KIT,  
 SERIES 6, 17-10, CPC

SIZE A3 CAGE CODE 00779 DRAWING NO C=213900 RESTRICTED TO -

SCALE 2:1 SHEET 1 OF 1 REV D

DIMENSIONS:	TOLERANCES UNLESS OTHERWISE SPECIFIED:
mm [INCHES]	
	0 PLC ± -
	1 PLC ± -
	2 PLC ± 0.13 [.005]
	3 PLC ± -
	4 PLC ± -
	ANGLES ± -
	FINISH -

MATERIAL SEE CALLOUTS

单击下面可查看定价，库存，交付和生命周期等信息

[>>TE Connectivity\(泰科\)](#)