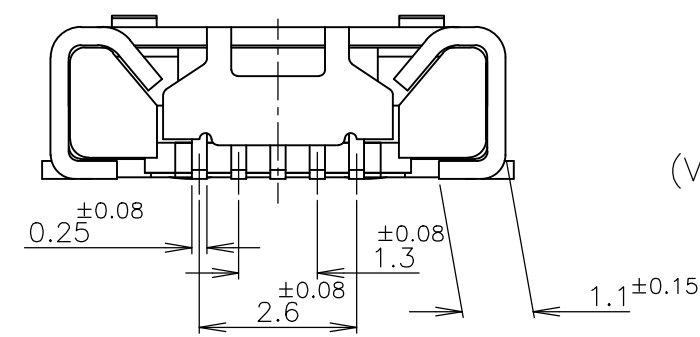
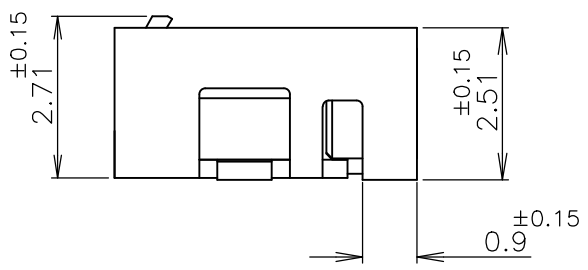
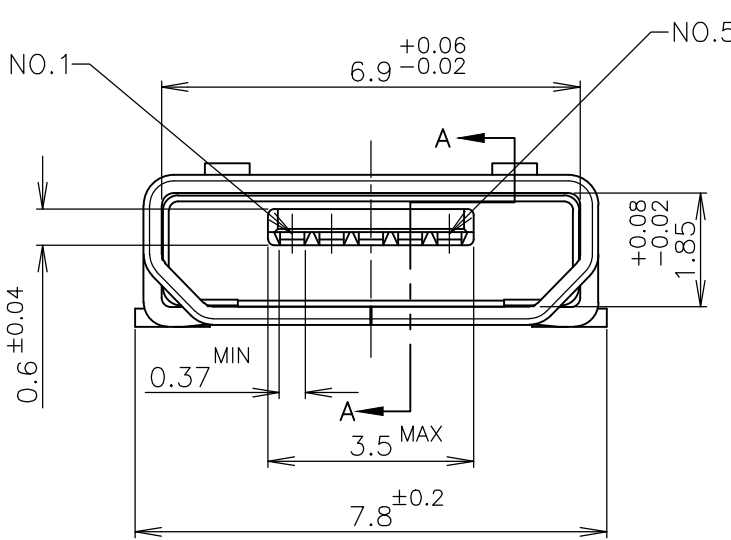
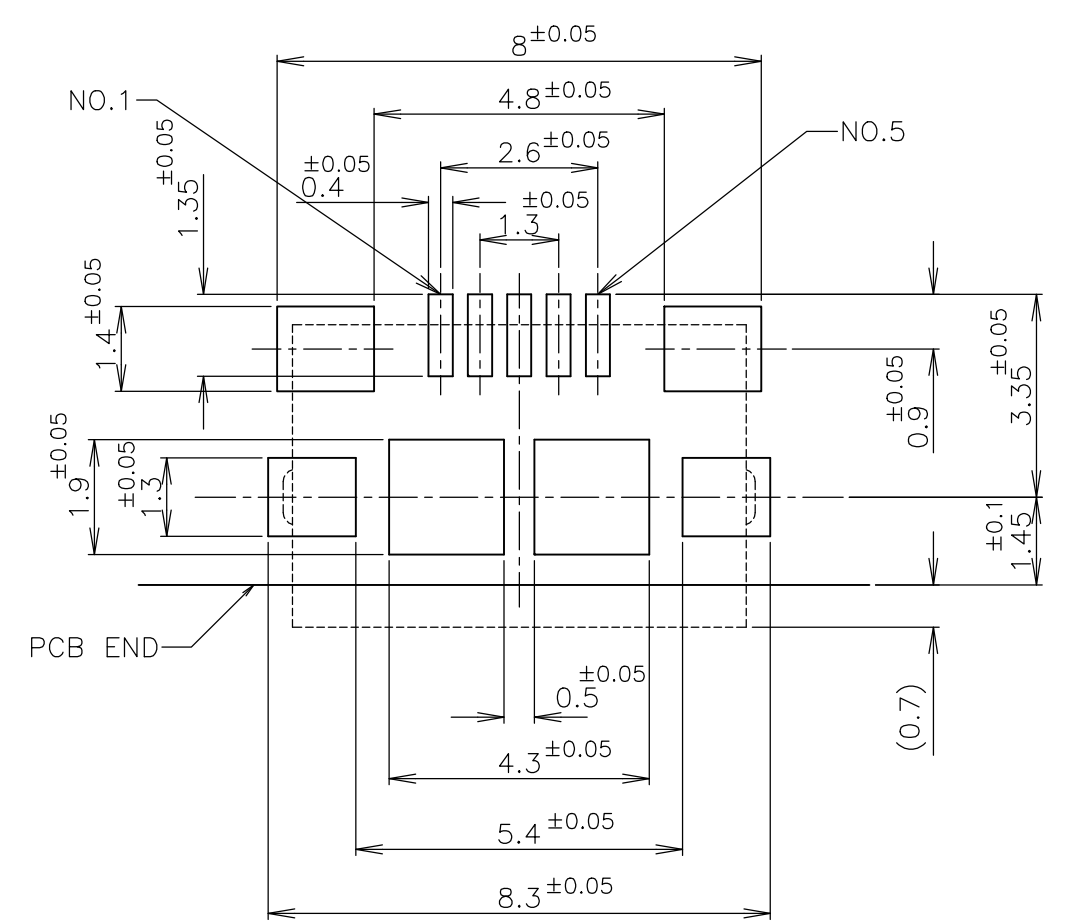
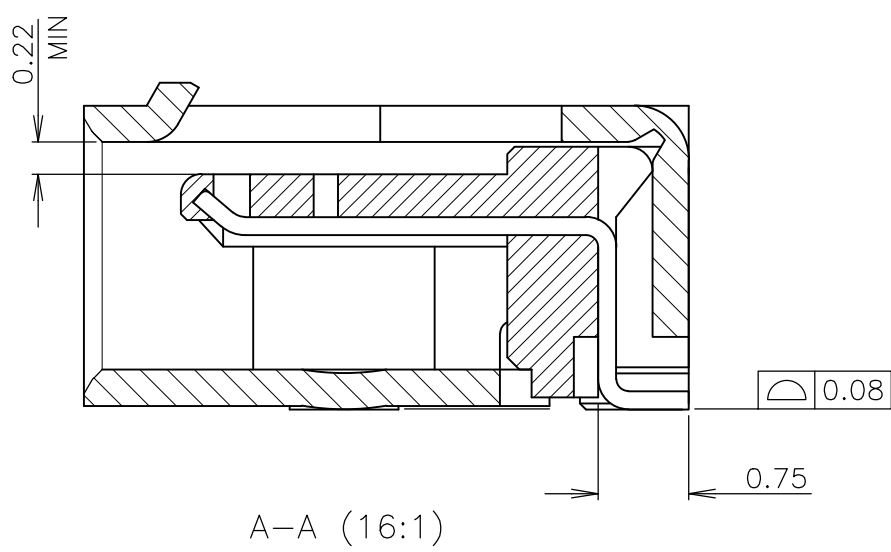
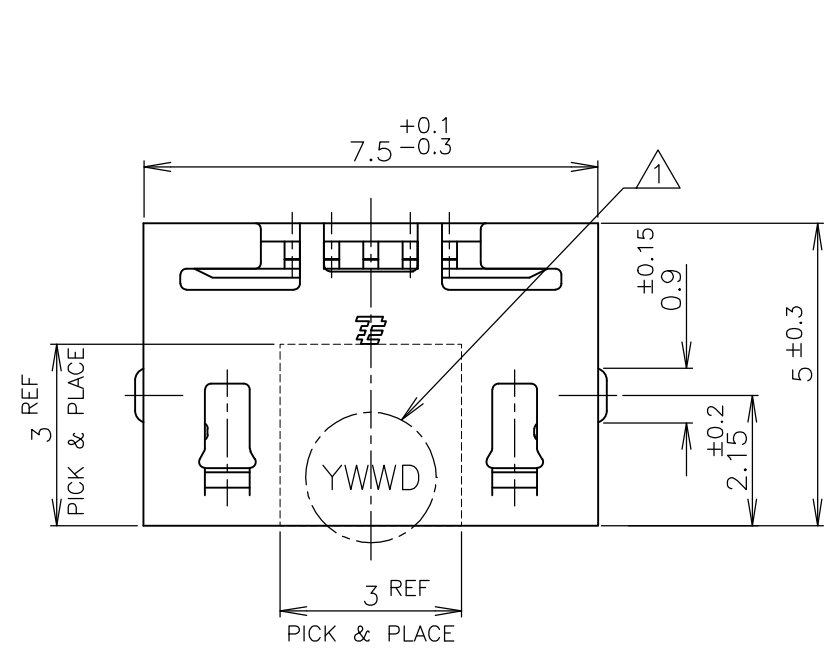
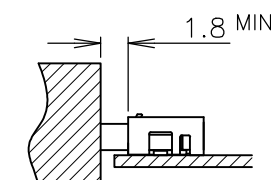


REVISIONS 変更					
P	LTR	DESCRIPTION	DATE	DWN	APVD
	B	REVISED PER ECR-20-012627	09SEP2020	R.M	S.H



PCB LAYOUT (REFERENCE)
(VIEWED FROM CONNECTOR MOUNT SIDE)

DISTANCE BETWEEN PLUG & RECE



(REFERENCE DIMENSION)

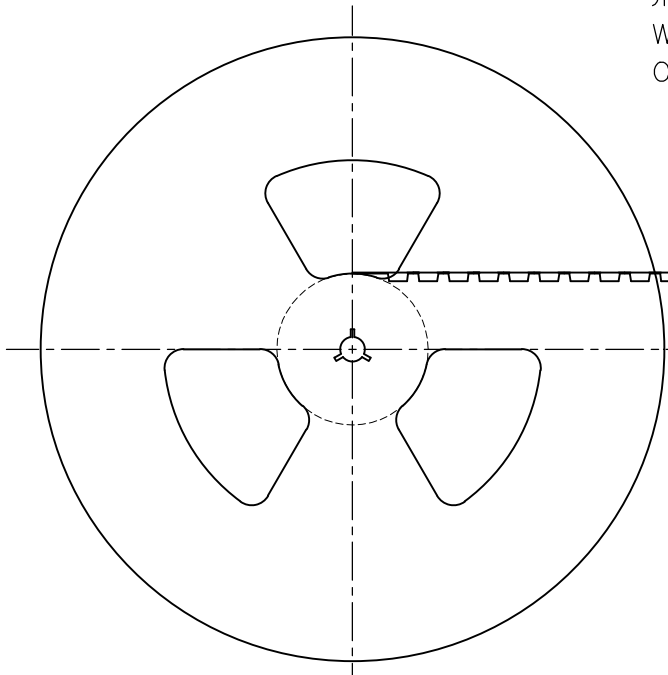
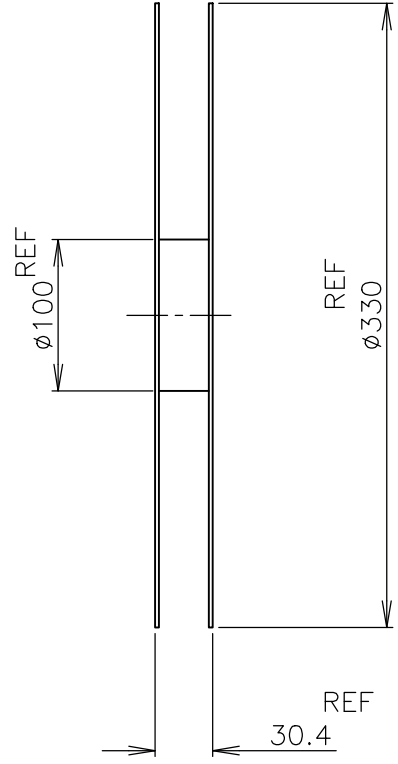
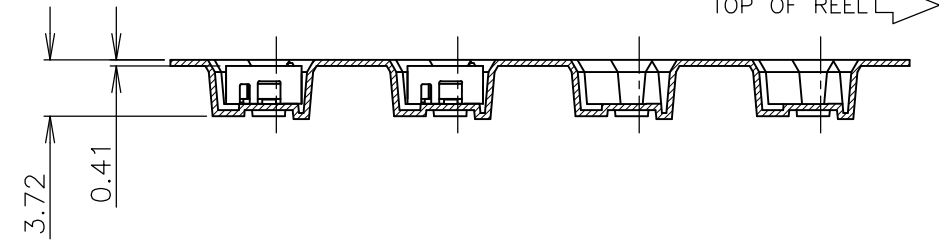
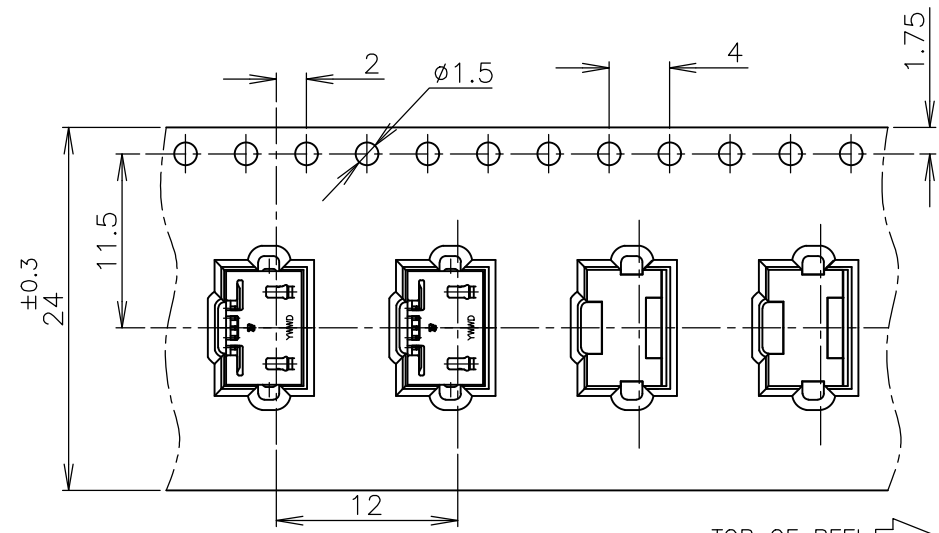
▲ LASER MARKING: YWWD
DATE CODE (YEAR, WEEK, DAY)

- OVERALL TOLERANCE: ± 0.2
- MATERIAL HOUSING: THERMOPLASTIC RESIN UL94V-0
CONTACT: COPPER ALLOY
SHELL : STAINLESS STEEL (APPLIED GREASE AT LOCK POSITION)
- FINISH CONTACT: Ni UNDER PL
Au PL
SHELL : Ni UNDER PL
Sn PL 1 μm MIN. FOR 2174507-2
Sn PL 2 μm MIN. FOR 2174507-3
- PREVENTION OF WRENCHING
PLEASE HOLD THE TOP AND THE SIDE OF CONNECTOR BY THE CASE.
- PREVENTION OF HITTING DURING PLUG INSERTION
PLEASE SET THE INSERTION GUIDE ALONG THE MATING SURFACE.

2174507-3
2174507-2
PART NUMBER

THIS DRAWING IS A CONTROLLED DOCUMENT.		DWN C.OHASHI 07NOV2011	TE Connectivity Ltd.		
DIMENSIONS: 単位: 耗 mm		CHK A.KUBO 08NOV2011			
TOLERANCES UNLESS OTHERWISE SPECIFIED: 一般公差		APVD T.KUSUHARA 08NOV2011	NAME 名称		
0 PLC \pm -		PRODUCT SPEC 製品規格	MICRO USB		
1 PLC \pm -		APPLICATION SPEC 取付適用規格	RECEPTACLE STANDARD 2DIP TYPE B		
2 PLC \pm -		WEIGHT 0.22g	FLANGELESS		
3 PLC \pm -		CUSTOMER DRAWING	SIZE A3	CAGE CODE 00779	DRAWING NO 番号 C-2174507
4 PLC \pm -			SCALE 尺度 8:1	SHEET 1 OF 3	RESTRICTED TO -
ANGLES \pm -					REV B
FINISH 仕上					

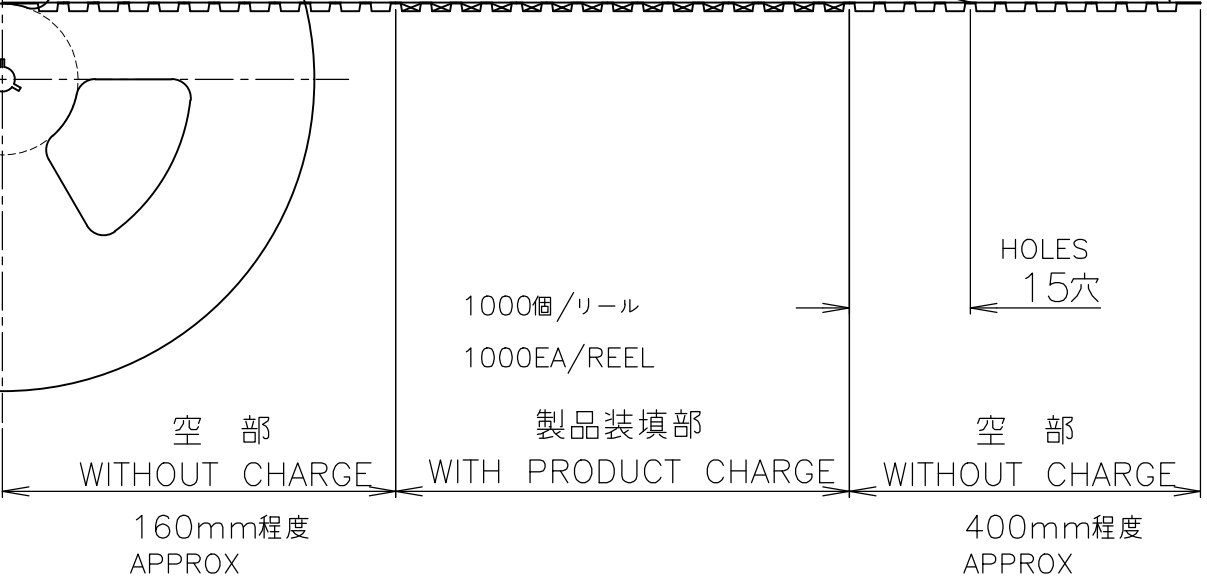
REVISIONS 変更					
P	LTR	DESCRIPTION	DATE	DWN	APVD
	-	SEE SHEET 1	-	-	-



カバーテープリーダー部
外周1巻
WIDE COVER TAPE AROUND
OUT PERIPHERY 1 TURN

剥離強度 0.1-1.3N MAX (300±10mm/min)
PEELING STRENGTH
剥離強度 165~180°
PEELING ANGLE

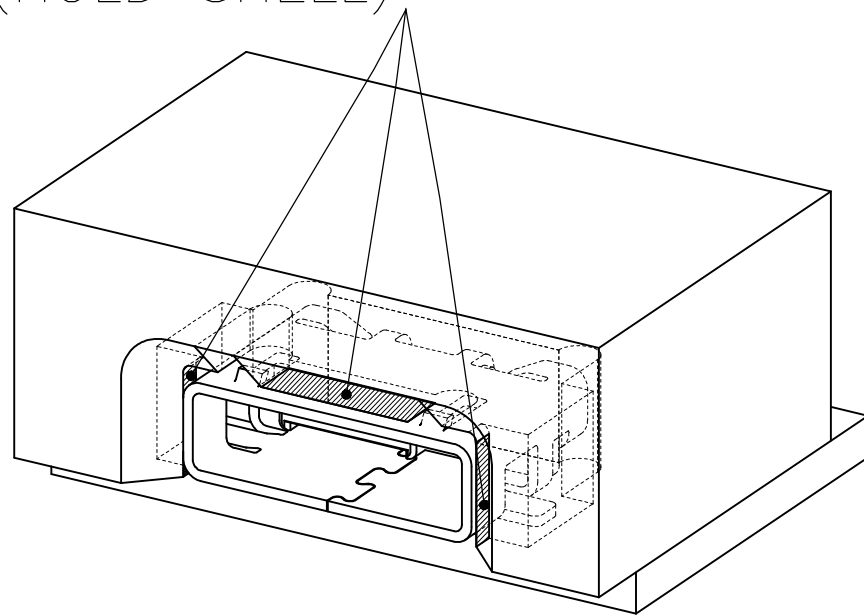
引き出し方向
TOP OF REEL



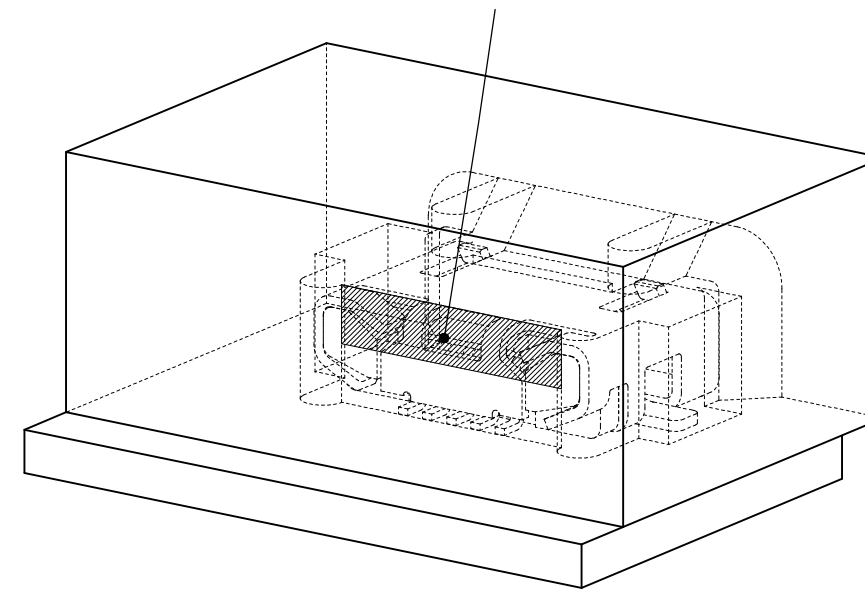
THIS DRAWING IS A CONTROLLED DOCUMENT.		DWN	STE TE Connectivity Ltd.		
		CHK			
DIMENSIONS: 単位: 耗 mm	TOLERANCES UNLESS OTHERWISE SPECIFIED: 一般公差	APVD	NAME 名称 MICRO USB RECEPTACLE STANDARD 2DIP TYPE B FLANGELESS		
	0 PLC ±-	PRODUCT SPEC 製品規格	SIZE		
	1 PLC ±-	APPLICATION SPEC 取付適用規格	CAGE CODE	DRAWING NO 番号	RESTRICTED TO
MATERIAL 材料	FINISH 仕上	WEIGHT	A3	00779	G-2174507
CUSTOMER DRAWING			SCALE 尺度	SHEET 2 OF 3	REV B

REVISIONS 変更				
P	LTR	DESCRIPTION	DATE	APVD
	-	SEE SHEET 1	-	-

CONNECTOR INSERTION OPENING
(HOLD SHELL)



CONNECTOR BACK SIDE
(HOLD SHELL AND HOUSING)



GUIDE CASE FOR WRENCHING (REFERENCE)

THIS DRAWING IS A CONTROLLED DOCUMENT.		DWN	STE TE Connectivity Ltd.	
		CHK		
DIMENSIONS: 単位: 耗 mm	TOLERANCES UNLESS OTHERWISE SPECIFIED: 一般公差	APVD	NAME 名称	
	0 PLC ± -	PRODUCT SPEC 製品規格	MICRO USB RECEPTACLE STANDARD 2DIP TYPE B FLANGELESS	
	1 PLC ± -	APPLICATION SPEC 取付適用規格	SIZE	CAGE CODE
MATERIAL 材料	FINISH 仕上	WEIGHT	A3	00779
			DRAWING NO 番号 G-2174507	
			RESTRICTED TO -	
			CUSTOMER DRAWING	SCALE 尺度 NTS
			SHEET 3 OF 3	REV B

单击下面可查看定价，库存，交付和生命周期等信息

[>>TE Connectivity\(泰科\)](#)