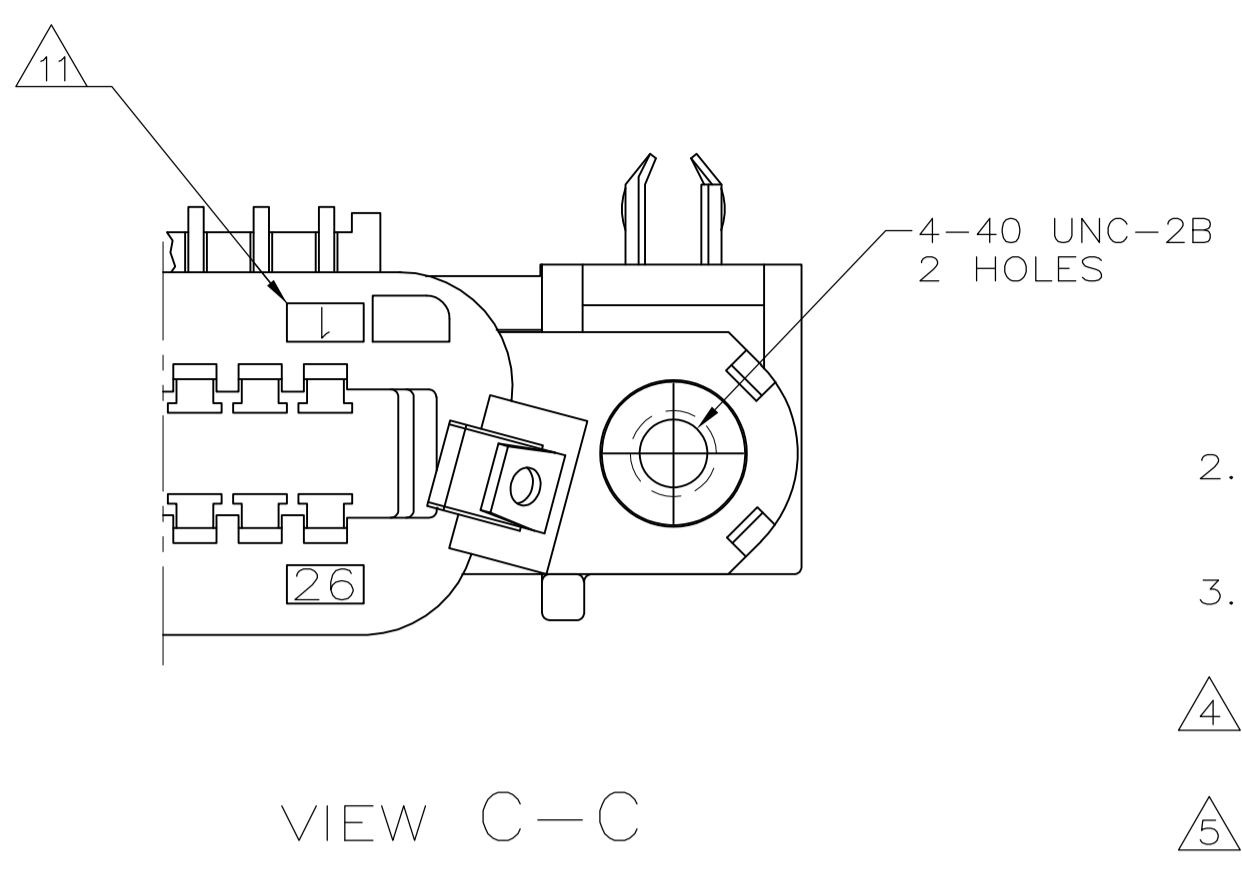
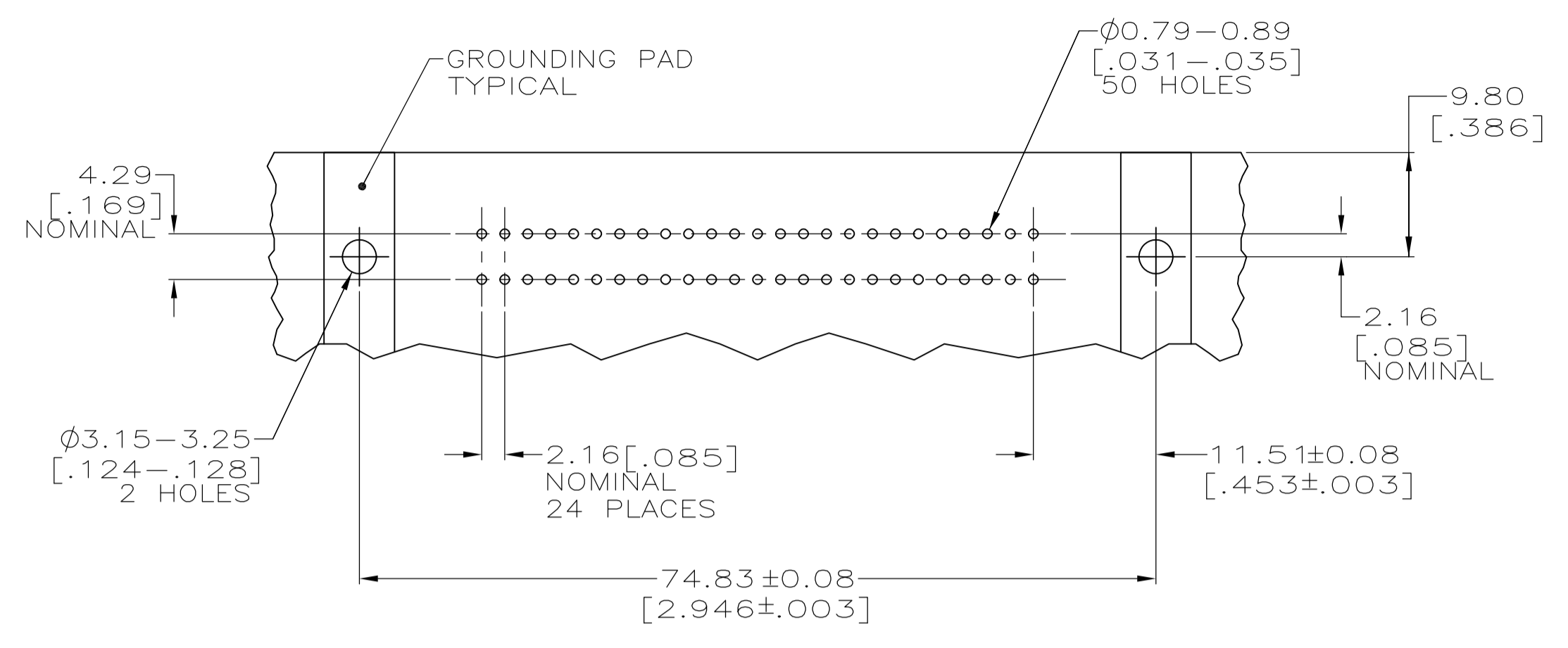
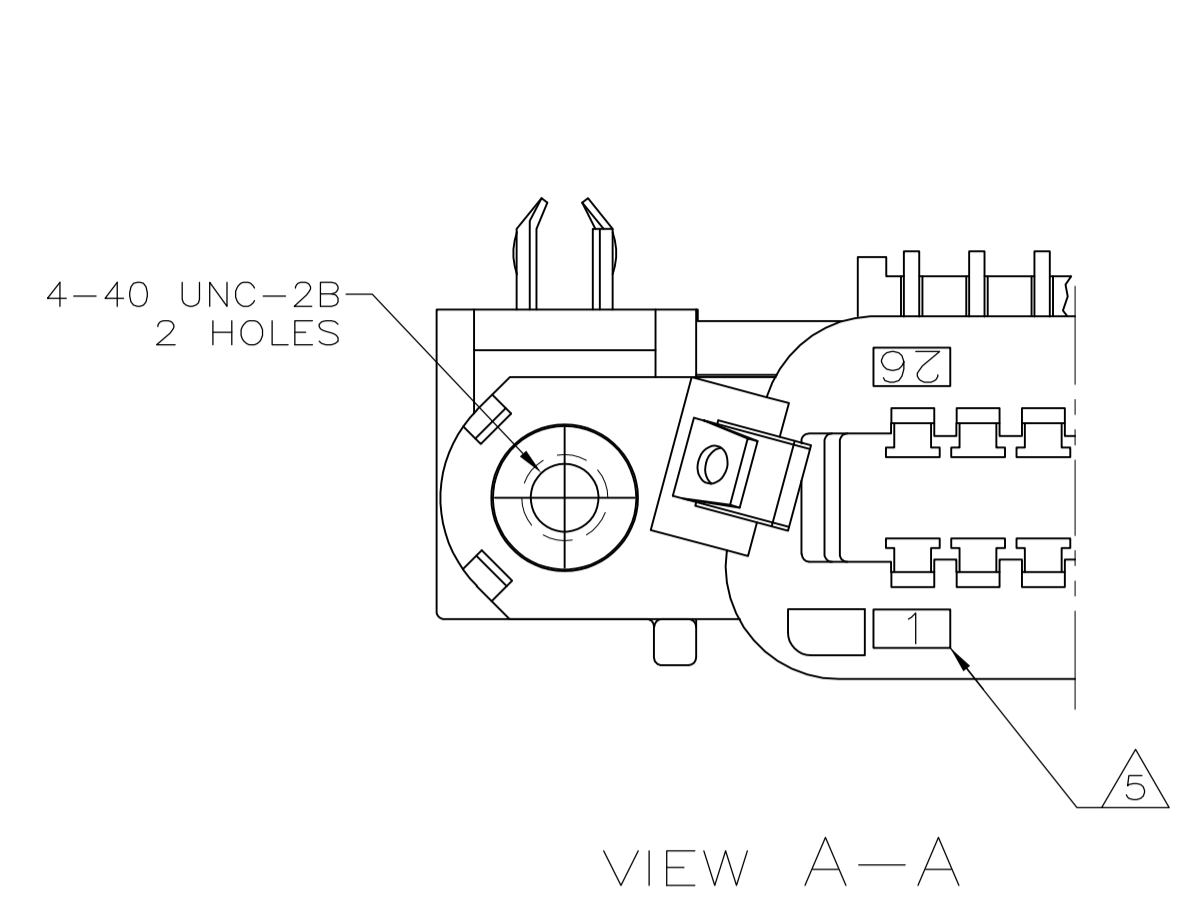
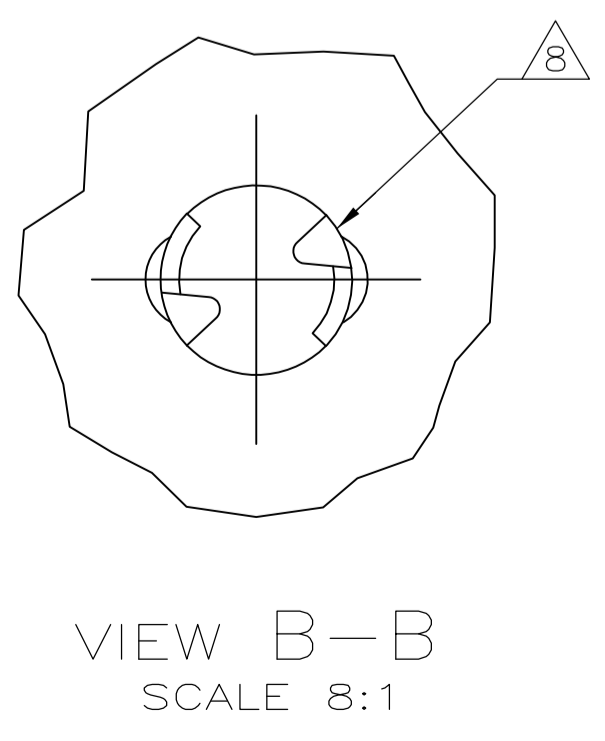
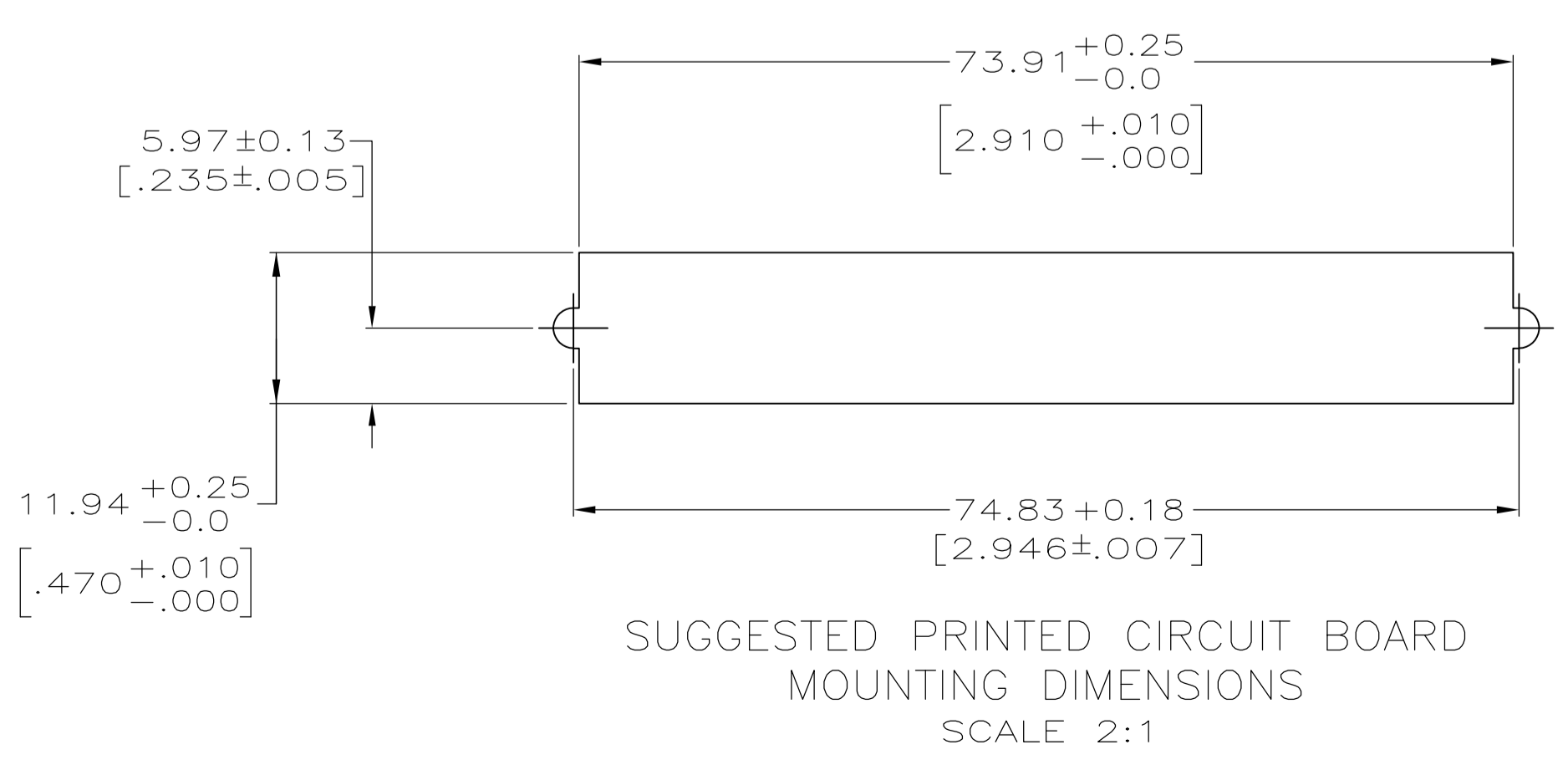
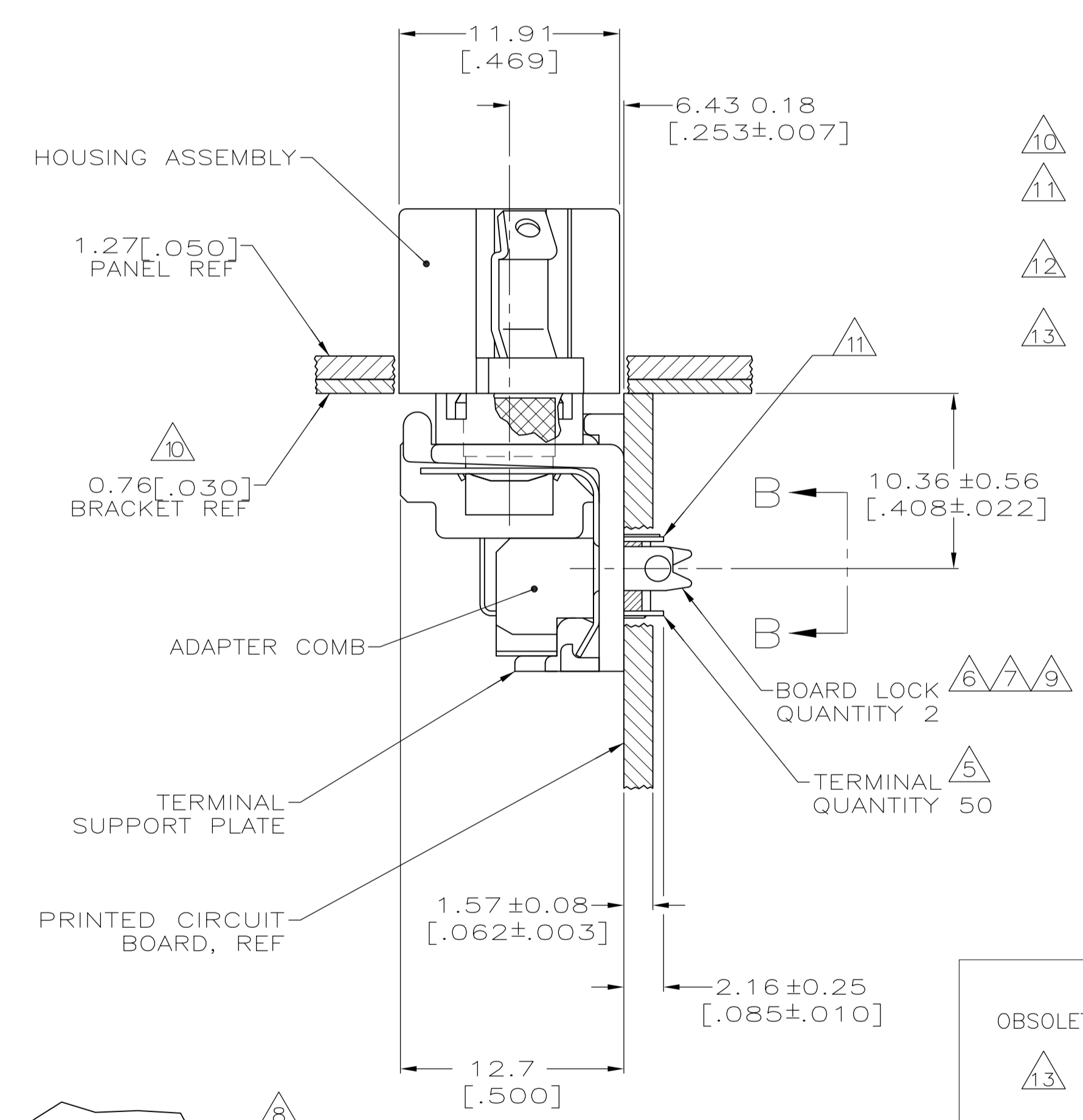
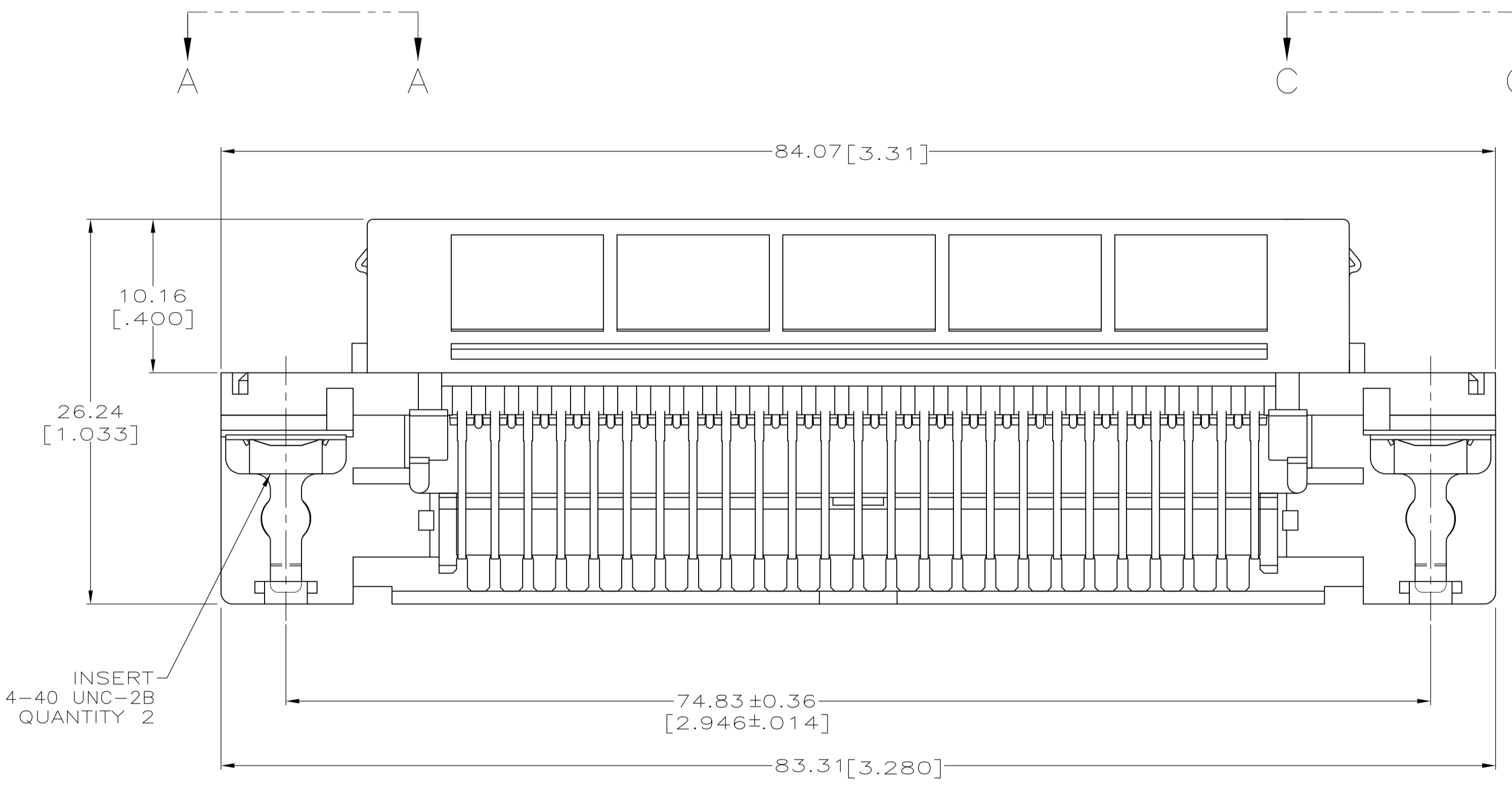


LOC		DIST		REVISIONS			
GP	00	REV	DATE	BY	CHK	APP	REV
		B	09APR08	BM	WM		
		B1	11NOV09	KK	AEG		



- 1 MATERIAL:  
 HOUSING, SUPPORT PLATE & ADAPTER COMB - POLYESTER, BLACK.  
 LATCH - ZINC PLATED CARBON STEEL.  
 INSERT - BRASS.  
 BOARD LOCK - TIN PLATED CARBON STEEL.  
 TERMINALS - HIGH STRENGTH COPPER ALLOY PLATED WITH EITHER  $0.76\mu\text{m}$  [.000030] MIN GOLD PLATE OR GOLD FLASH OVER PALLADIUM NICKEL PLATE,  $0.76\mu\text{m}$  [.000030] MIN TOTAL ON MATING SURFACE.  $3.05\mu\text{m}$  [.000120] MIN TIN PLATE ON TAILS. ALL OVER  $1.27\mu\text{m}$  [.000050] MIN NICKEL UNDERPLATE OVER ENTIRE TERMINAL.
2. THE CONTACT SURFACES OF THE TERMINALS ARE COATED WITH LUBRICANT.
3. CENTER-TO-CENTER SPACING OF TERMINALS IS 2.16 [.085] NOMINAL.
4. ALL DIMENSIONS SHOWN ARE MAXIMUM UNLESS OTHERWISE SPECIFIED.
5. TERMINAL 1 LOCATED IN THIS ROW FOR STANDARD ORIENTATION. SEE VIEW A-A.
6. BOARD LOCK RETAINS CONNECTOR IN 1.58 [.062] THICK PC BOARD WITHOUT ADDITIONAL HARDWARE.
7. BOARD LOCK LOCATES CONNECTOR FLUSH WITH TOP OF PC BOARD AND SPRING LOCKS BENEATH.
8. CYLINDRICAL SHAPE OFFERS 180° OF SOLDERING SURFACE.
9. SURFACE AREA BELOW PC BOARD SHALL PASS SOLDERABILITY REQUIREMENTS IN ACCORDANCE WITH AMP SPEC 109-11-2. DISCOLORATION, SCRATCHES, SPOTS AND OTHER COSMETIC DEFICIENCIES TYPICAL OF BARREL PLATING PROCESSES ARE ACCEPTABLE PROVIDING PARTS PASS 24 HOUR EXPOSURE AT 95% RH AT 40° C WITHOUT EVIDENCE OF CORROSION.
10. OPTIONAL BRACKET SUPPLIED BY CUSTOMER.
11. TERMINAL 1 LOCATED IN THIS ROW FOR REVERSE ORIENTATION. SEE VIEW C-C.
12. ONE LATCH ONLY, LOCATED AT CIRCUIT 1/26 END, P/N 6116761-5 AND 6116761-6.
13. OBSOLETE PARTS: OBSOLETE CIS STREAMLINING PER D.RENAUD/D.SINISI



ORIENTATION	DESCRIPTION	PART NUMBER
REVERSE, SEE VIEW C-C		6116761-6
STANDARD, SEE VIEW A-A		6116761-5
REVERSE, SEE VIEW C-C	NO LATCHES	6116761-4
REVERSE, SEE VIEW C-C	AS SHOWN	6116761-3
STANDARD, SEE VIEW A-A	NO LATCHES	6116761-2
STANDARD, SEE VIEW A-A	AS SHOWN	6116761-1

THIS DRAWING IS A CONTROLLED DOCUMENT.

DIMENSIONS: mm (NCHES)	TOLERANCES UNLESS OTHERWISE SPECIFIED:	APPROVED: W. MILLHIMES	DATE: 01SEP05	NAME: W. MILLHIMES	DATE: 01SEP05
0 PLC ± .005	1 PLC ± .005	2 PLC ± .005	3 PLC ± .005	4 PLC ± .005	ANGLES ± .005

MATERIAL: POLYESTER, BLACK

FINISH: BLACK

APPROVED: W. MILLHIMES

DATE: 01SEP05

NAME: W. MILLHIMES

DATE: 01SEP05

APPLICATION SPEC: RECEPTACLE ASSEMBLY, LOW PROFILE, RIGHT ANGLE, 50 POSITION, BOARD LOCK, INTEGRAL LOCKING LATCH, CHAMP

SIZE: A1

WEIGHT: 0.00779

CAGE CODE: 6116761

RESTRICTED TO: CUSTOMER DRAWING

SCALE: 4:1

SHEET: 1 OF 1

REV: B1

单击下面可查看定价，库存，交付和生命周期等信息

[>>TE Connectivity\(泰科\)](#)