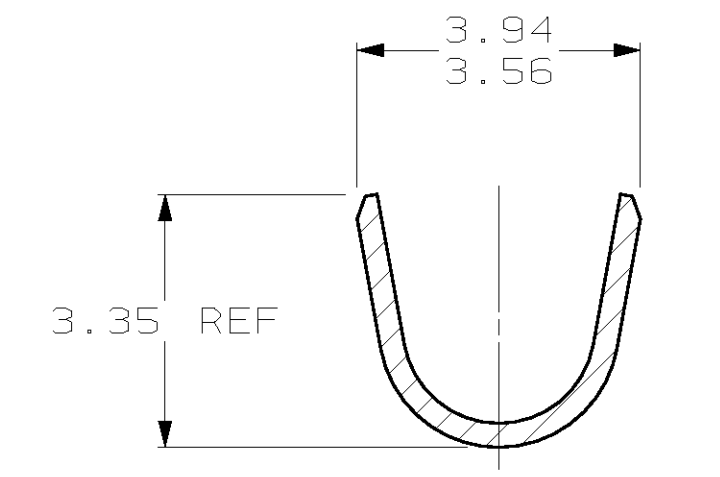
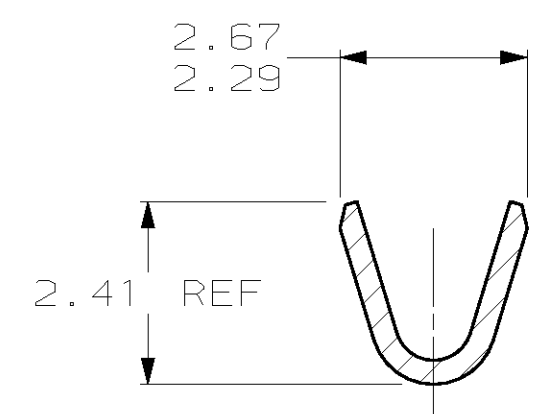
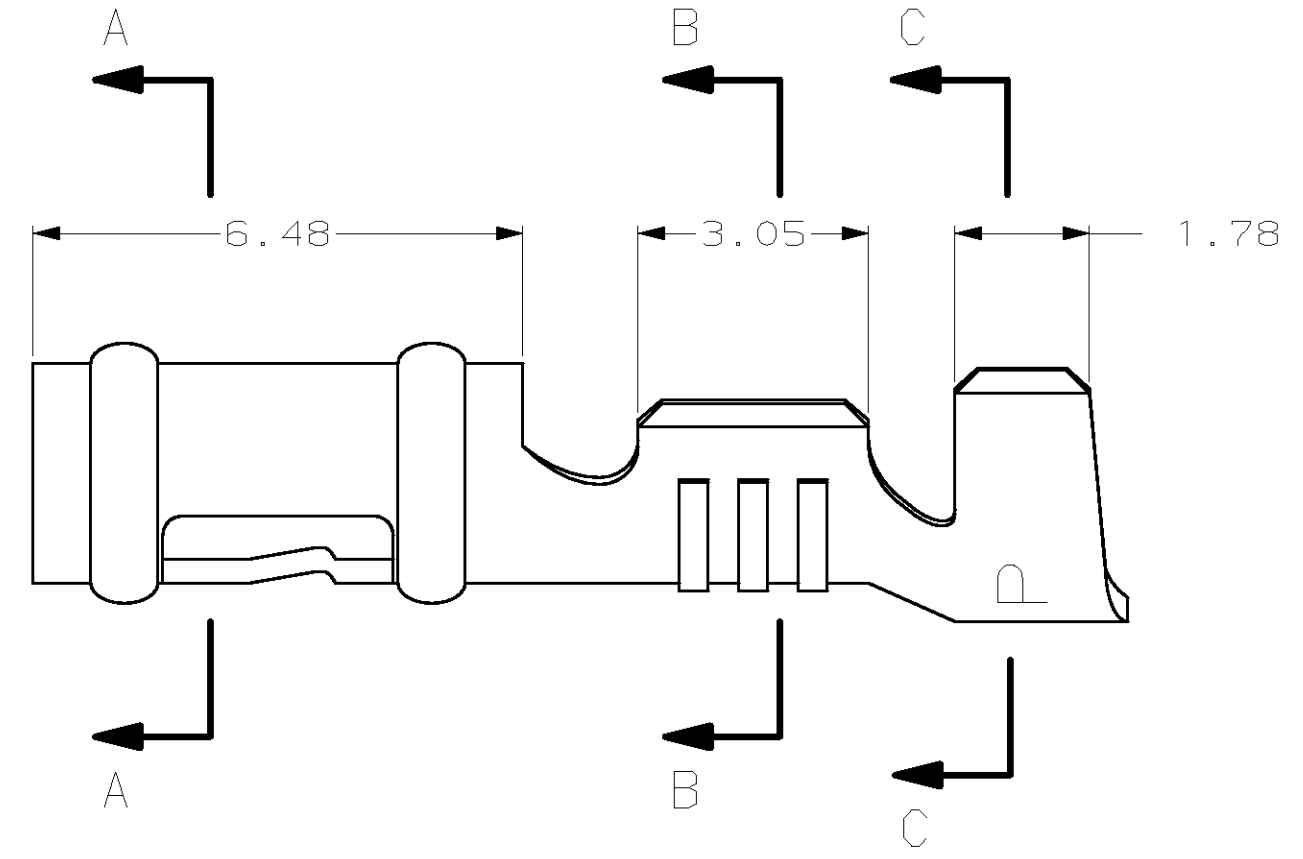
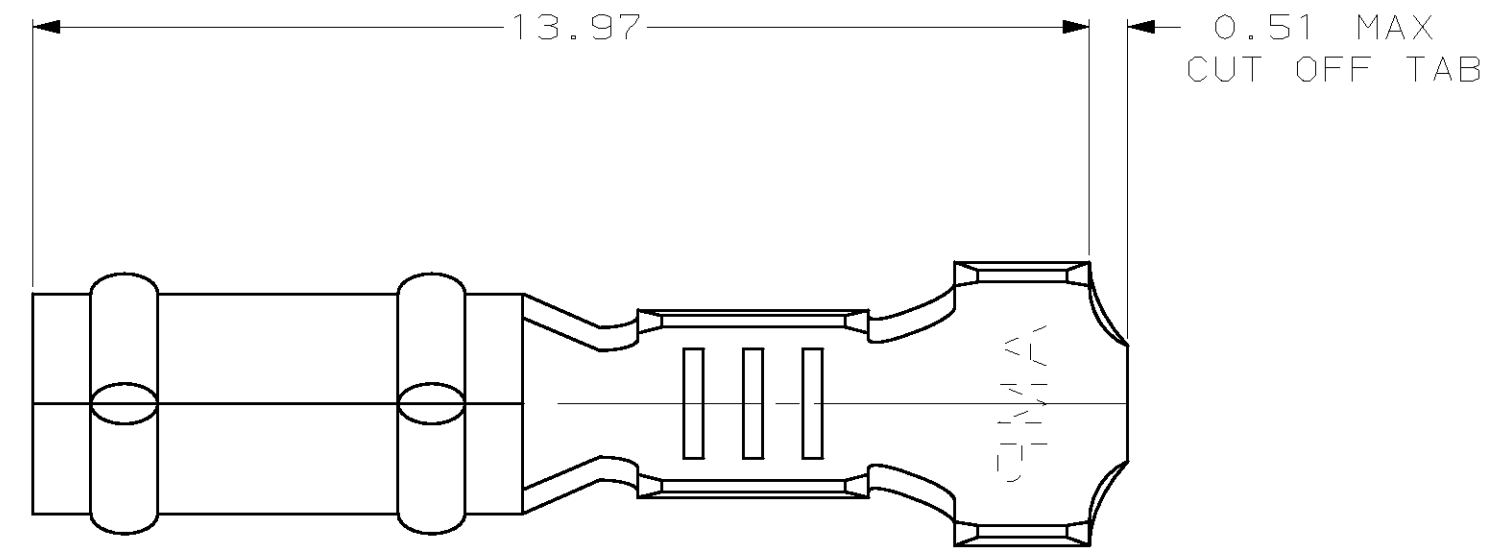


THIS DRAWING IS UNPUBLISHED. RELEASED FOR PUBLICATION
 (C) COPYRIGHT 19 BY AMP INCORPORATED. ALL RIGHTS RESERVED.

LOC		DIST		REVISIONS			
P	LTR	DESCRIPTION	DATE	DWN	APVD		
CM	52	F	REV & REDRAWN PER EC 0L30-0164-97	6-16-97	TB	RS	

1. WIRE RANGE: 0.3 - 0.9 MM² (22 - 18 AWG)
2. INSULATION RANGE: 1.52 - 2.79



61260-1
PART NUMBER

MM	IN	MM	IN	MM	IN	MM	IN
1.78	.070	2.79	.110	6.48	.255	-	-
1.52	.060	2.67	.105	3.94	.155	-	-
0.51	.020	2.41	.095	3.56	.140	-	-
0.32	.013	2.36	.093	3.35	.132	-	-
0.13	.005	2.29	.090	3.05	.120	13.97	.550
MM	IN	MM	IN	MM	IN	MM	IN

CONVERSION TABLE

METRIC

THIS DRAWING IS A CONTROLLED DOCUMENT.		DWN	T. BECK	6-16-97	AMP Incorporated Harrisburg, PA 17105-3608	
DIMENSIONS:		CHK	R. SWING	6-16-97		
TOLERANCES UNLESS OTHERWISE SPECIFIED:		APVD	A. BEDDICK	8-22-97		
0 PLC ± 1 PLC ± 2 PLC ±0.13 3 PLC ± 4 PLC ± ANGLES ±		PRODUCT SPEC	108-1025			
MATERIAL		APPLICATION SPEC	114-1008		SIZE	A2
0.32 PH BRZ		FINISH	PRE TIN		CAGE CODE	00779
		WEIGHT	-		DRAWING NO	61260
		CUSTOMER DRAWING			RESTRICTED TO	-
		SCALE	10:1		SHEET	1 OF 1
		REV	F			

单击下面可查看定价，库存，交付和生命周期等信息

[>>TE Connectivity\(泰科\)](#)