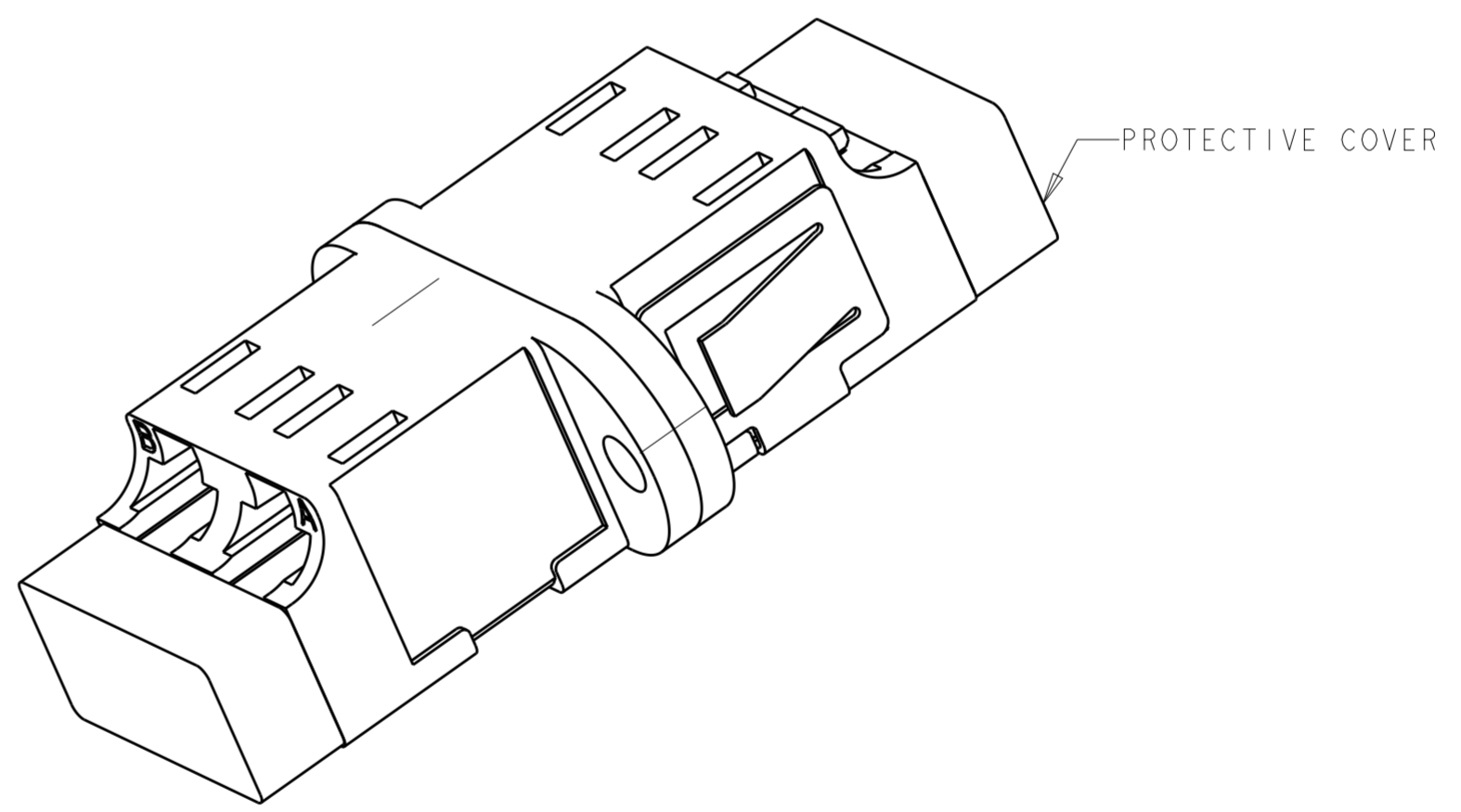
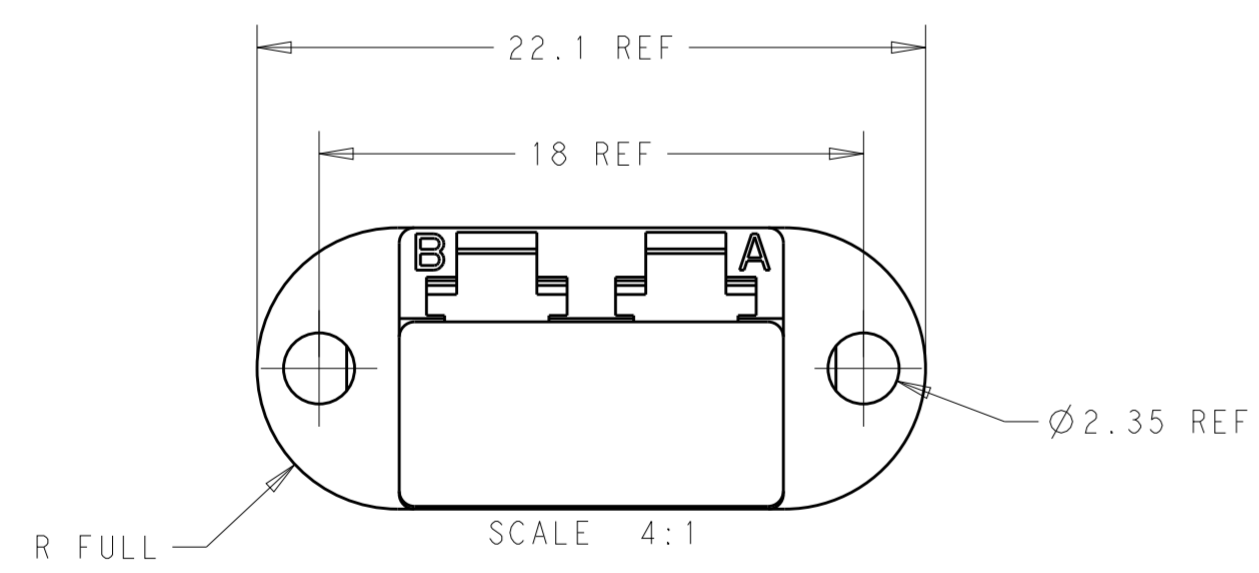
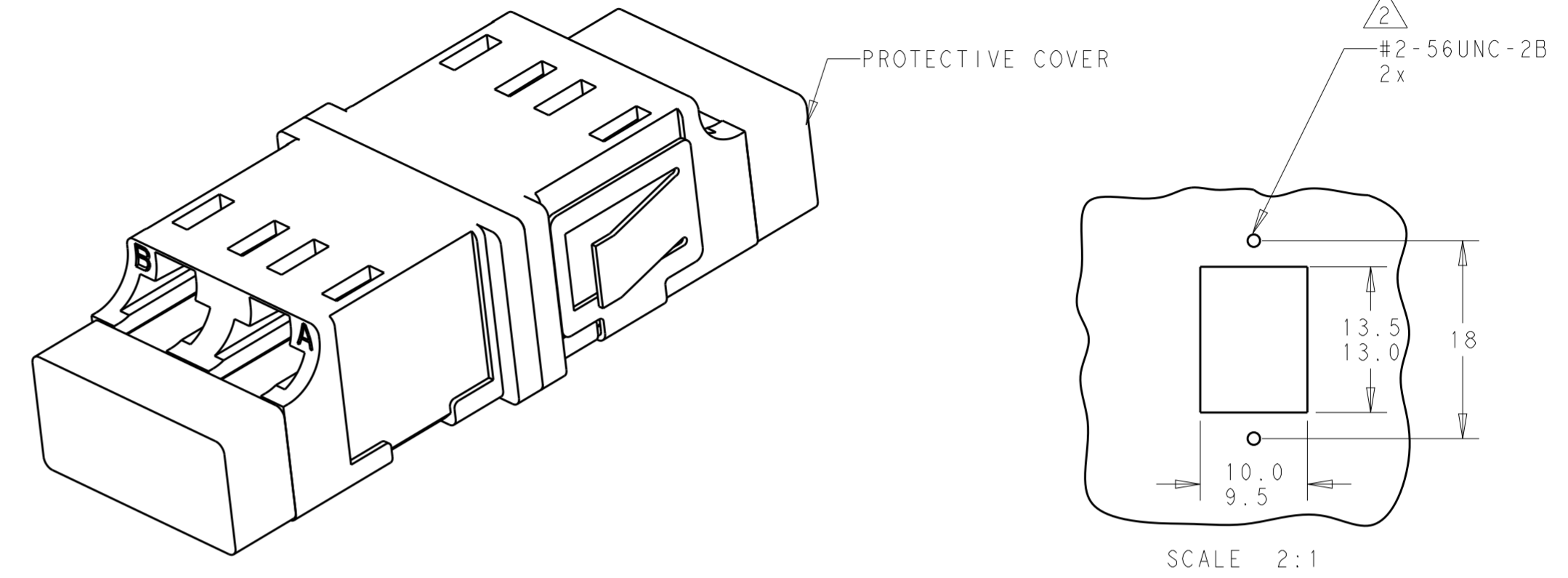
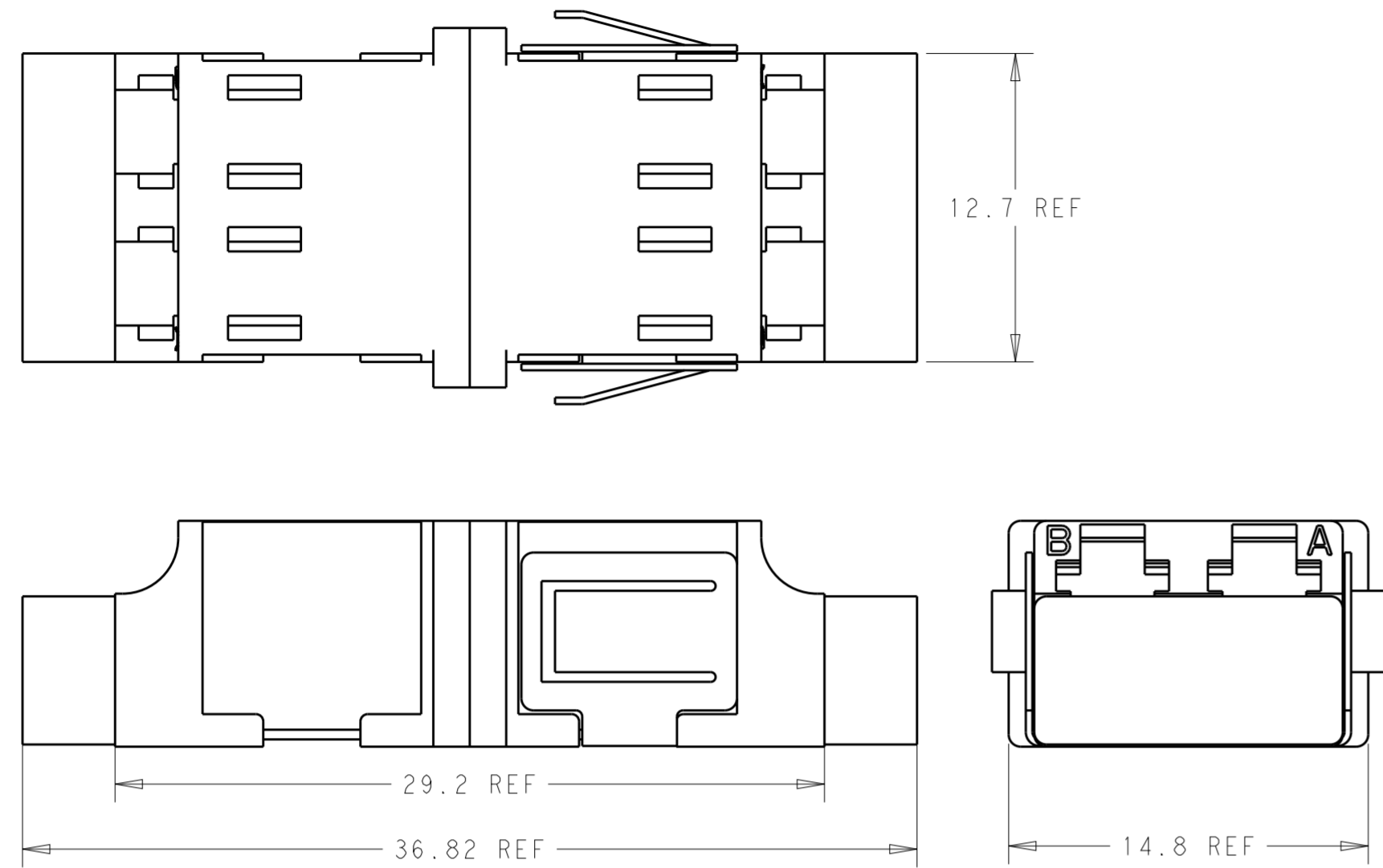


THIS DRAWING IS UNPUBLISHED. RELEASED FOR PUBLICATION 20
 © COPYRIGHT 20 ALL RIGHTS RESERVED.

LOC		DIST		REVISIONS			
P	LTR	DESCRIPTION	DATE	DWN	APVD		
B		ECR-15-006098	23APR2015	HZ	RZ		



1 MATERIAL:
 ADAPTER HOUSING: THERMOPLASTIC PPE-PS, COLOR: GREEN*
 PROTECTIVE COVER: TPE, COLOR: BLACK*
 ALIGNMENT SLEEVES: CERAMIC
 *UL 94 V-0 RATED AT QUALIFYING THICKNESS

2 HOLES NOLY APPLIED FOR FLANGED TYPES

GREEN	LC ADAPTER, FLANGED	2125019-2
GREEN	LC ADAPTER, FLANGELESS	2125019-1
ADAPTER COLOR	DESCRIPTION	PART NO.

THIS DRAWING IS A CONTROLLED DOCUMENT.		DWN Debbie Du	29NOV2010	 TE Connectivity	NAME LC ADAPTER ASSEMBLY, DUPLEX
DIMENSIONS:		CHK Hawk.Xue	29NOV2010		
TOLERANCES UNLESS OTHERWISE SPECIFIED:		APVD Carlson.Tong	29NOV2010		
mm		PRODUCT SPEC			
MATERIAL		APPLICATION SPEC		SIZE	CAGE CODE
1		FINISH		A2	00779
CUSTOMER DRAWING		WEIGHT		DRAWING NO	RESTRICTED TO
		-		C-2125019	-
		-		SCALE	SHEET
		-		A2	1 OF 1
		-		REV	B

单击下面可查看定价，库存，交付和生命周期等信息

[>>TE Connectivity\(泰科\)](#)