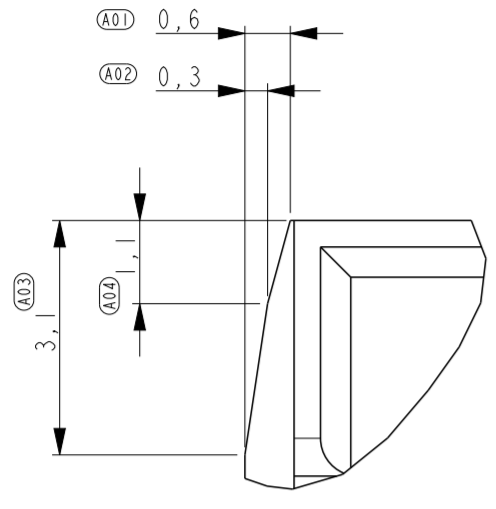
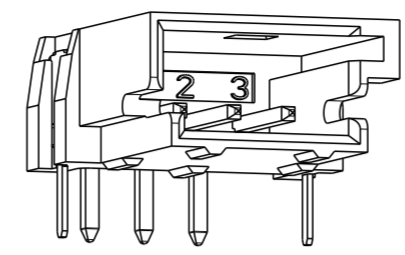
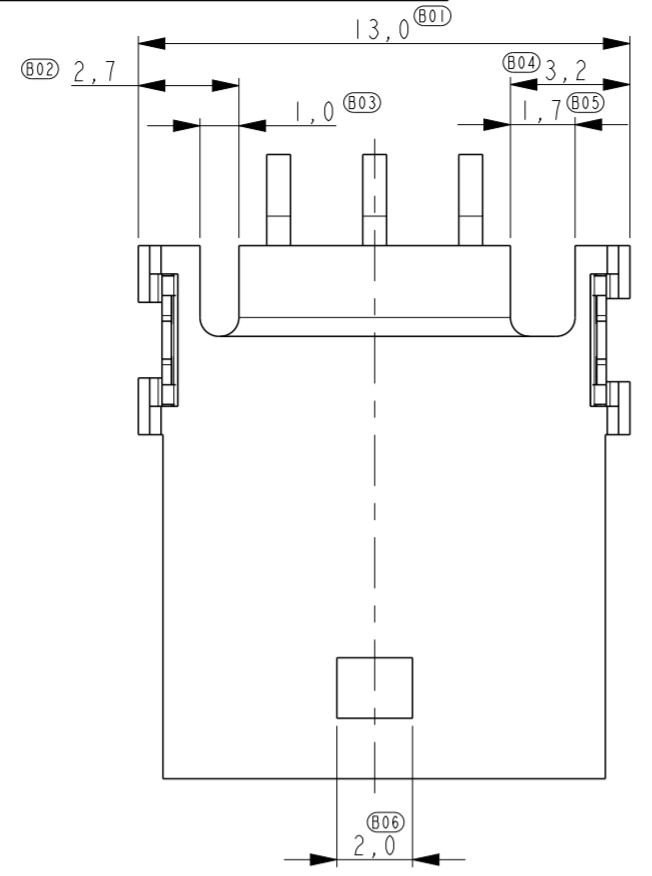


THIS DRAWING IS UNPUBLISHED. RELEASED FOR PUBLICATION  
 © COPYRIGHT - ALL RIGHTS RESERVED.

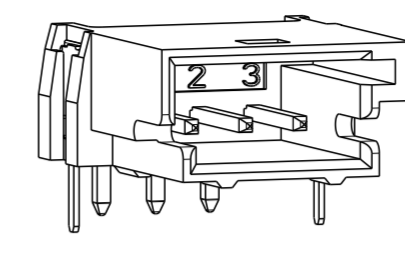
LOC		DIST		REVISIONS			
P	LTR	DESCRIPTION	DATE	DWN	APVD		
	IR	-					
	F1	ECR-13-001688	29JAN2013	GG	RRP		



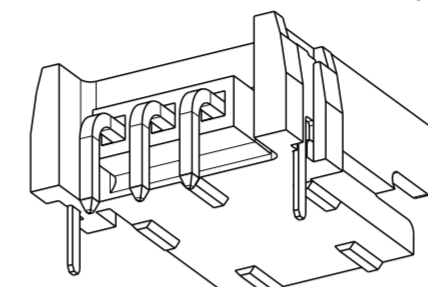
DETAIL Z  
SCALE 10:1



SCALE 3:1



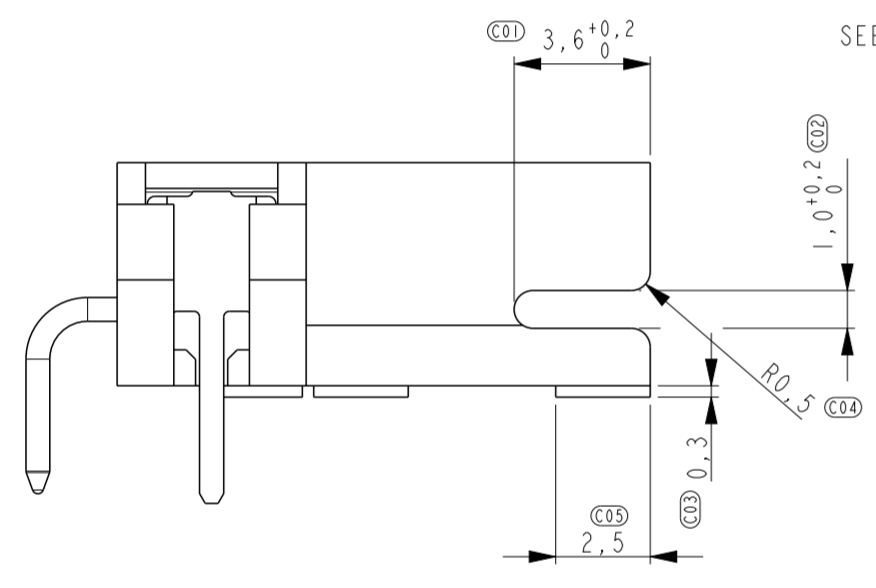
SCALE 3:1



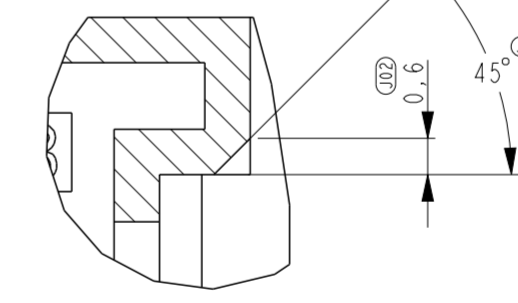
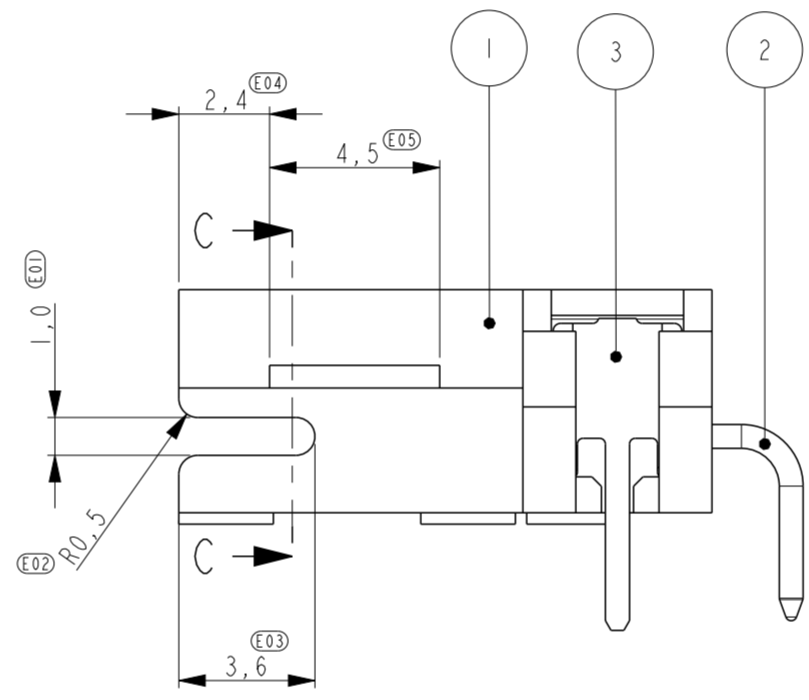
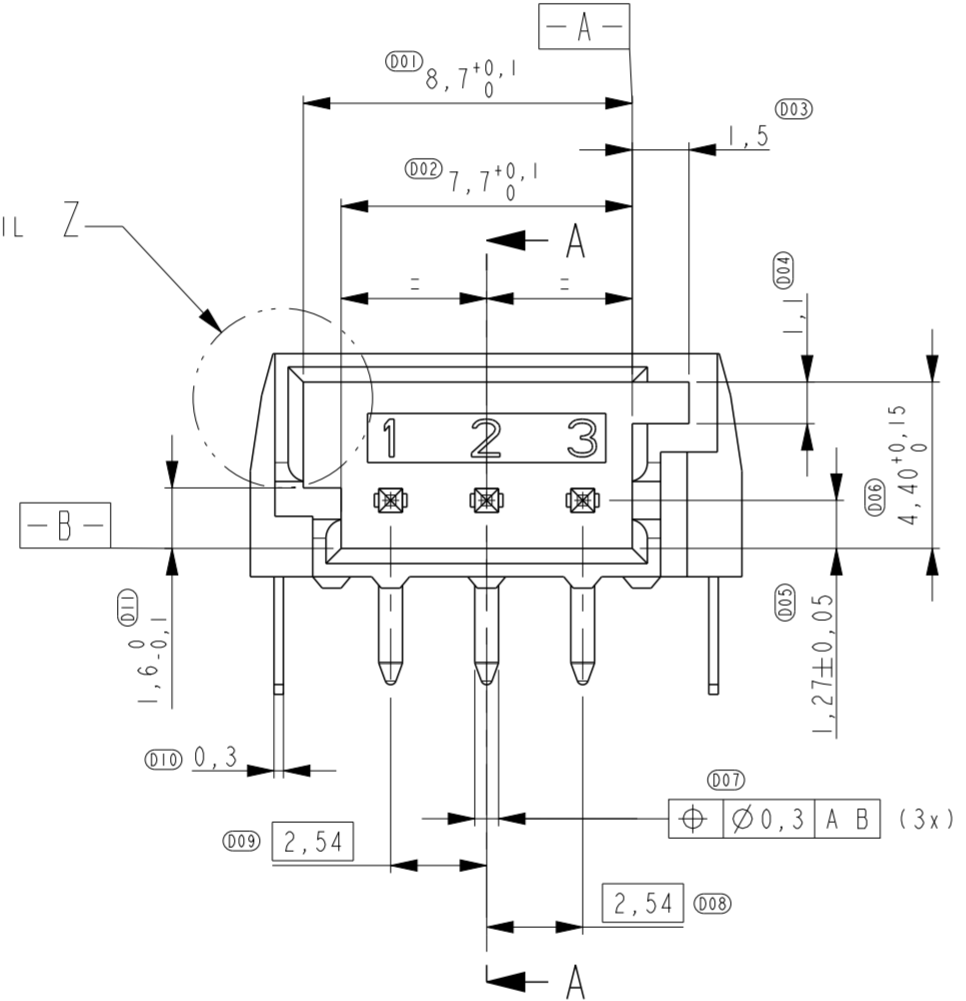
SCALE 3:1

NOTE:

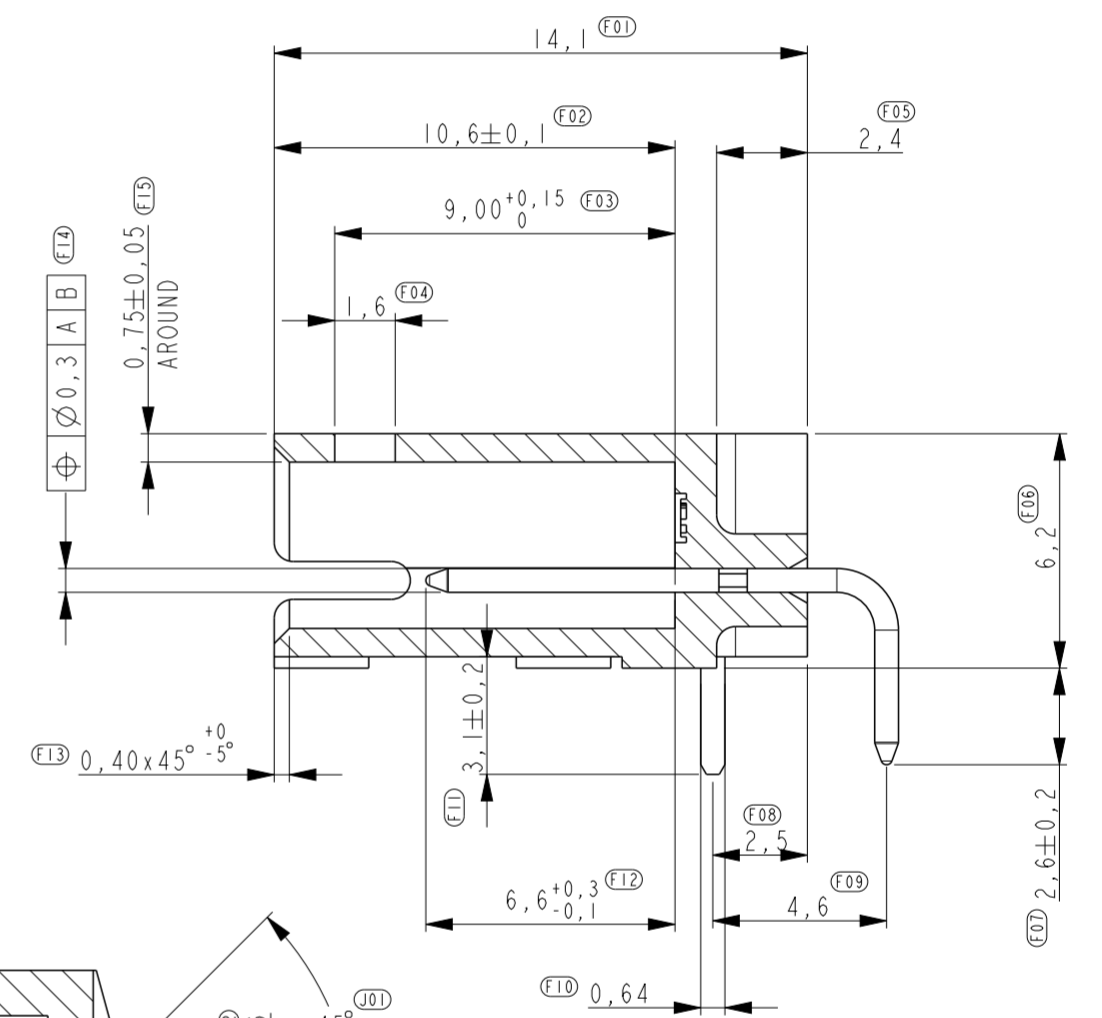
- ALL RADII R0,2 EXCEPT AS NOTED.
- PACKING:  
1857192-1 - TRAY PACKED  
1857192-2 - TAPE AND REEL PACKAGING ACCORDING TO EIA-481.



SEE DETAIL Z

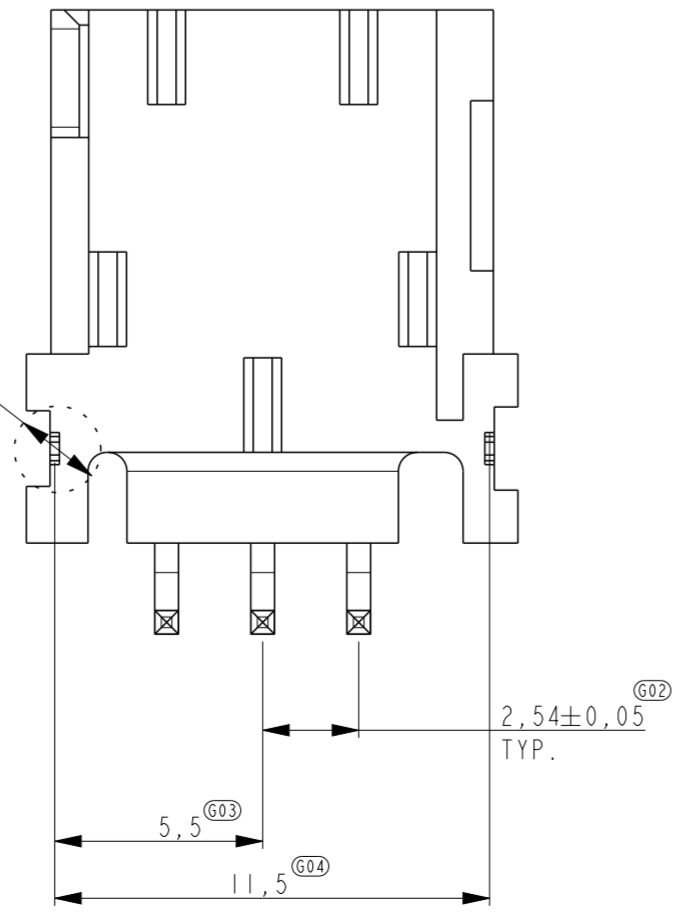


SECTION C-C  
SCALE 8:1



SECTION A-A

MAX. Ø 2,3  
ZONE FOR SOLDER FILLED.



PCB LAYOUT  
SCALE 3:1

1857192-1 AS SHOWN.

FINISH	MATERIAL	DESCRIPTION	FG PART NUMBER
Tin and Nickel	CuZn	BOARDLOCK	
Tin and Nickel	CuFe2p	CONTACT	1857192-2
-	LCP GF 30%	HOUSING	
Tin and Nickel	CuZn	BOARDLOCK	
Tin and Nickel	CuFe2p	CONTACT	1857192-1
-	PA 4.6 30% GF	HOUSING	

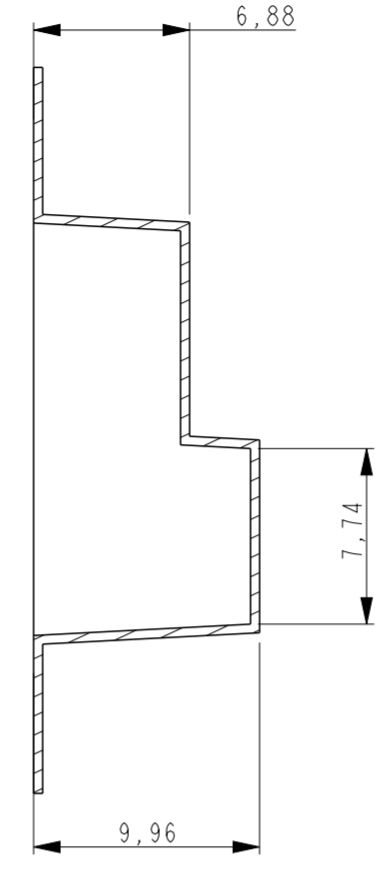
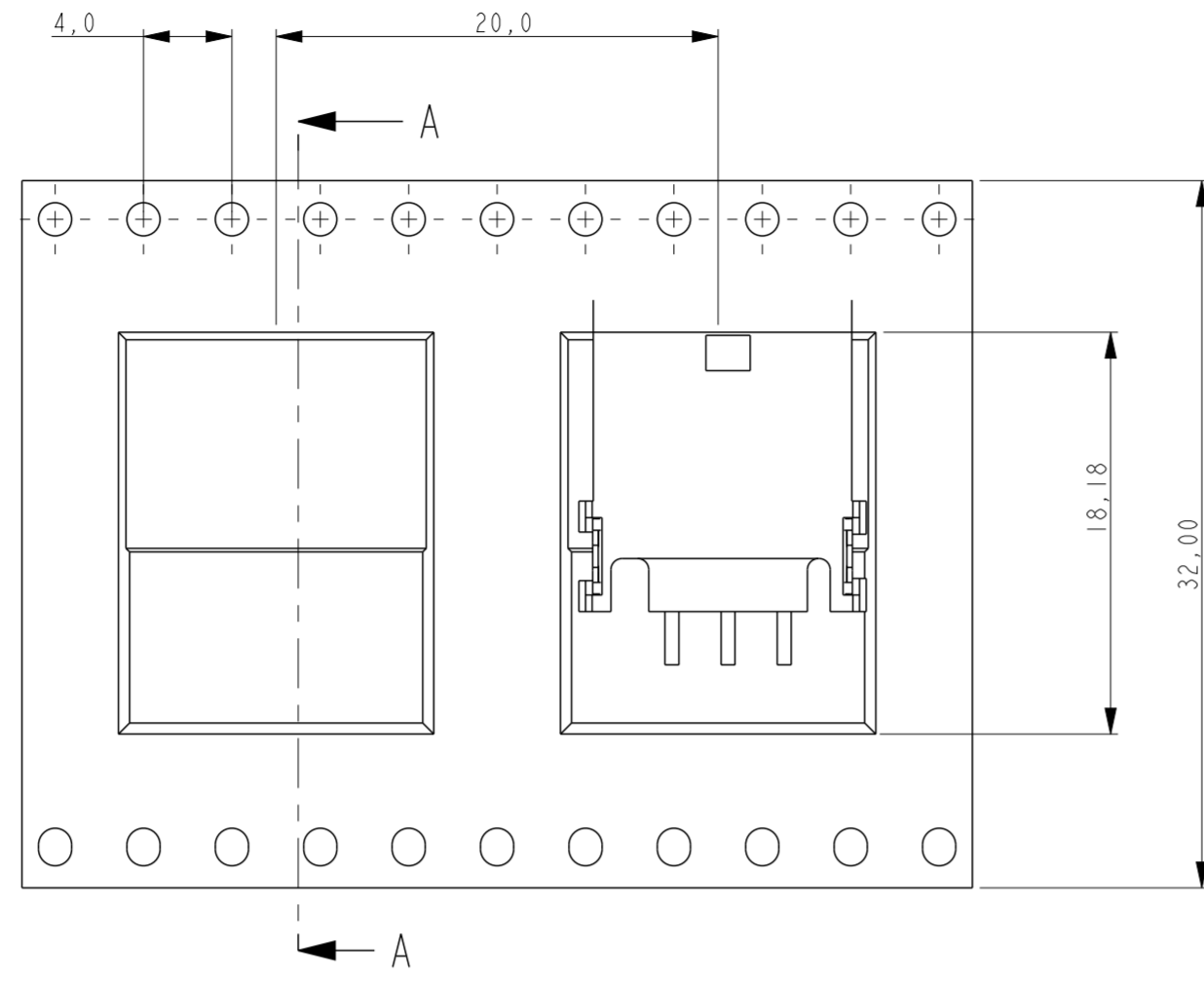
DIMENSIONS:		TOLERANCES UNLESS OTHERWISE SPECIFIED:	
mm		0 PLC	±
		1 PLC	±0,1
		2 PLC	±0,05
		3 PLC	±
		4 PLC	±
		ANGLES	±
		FINISH	±

DWN	CHK	APVD	NAME
06 JUL 05	06 JUL 05	06 JUL 05	J. BROEKSTEEG

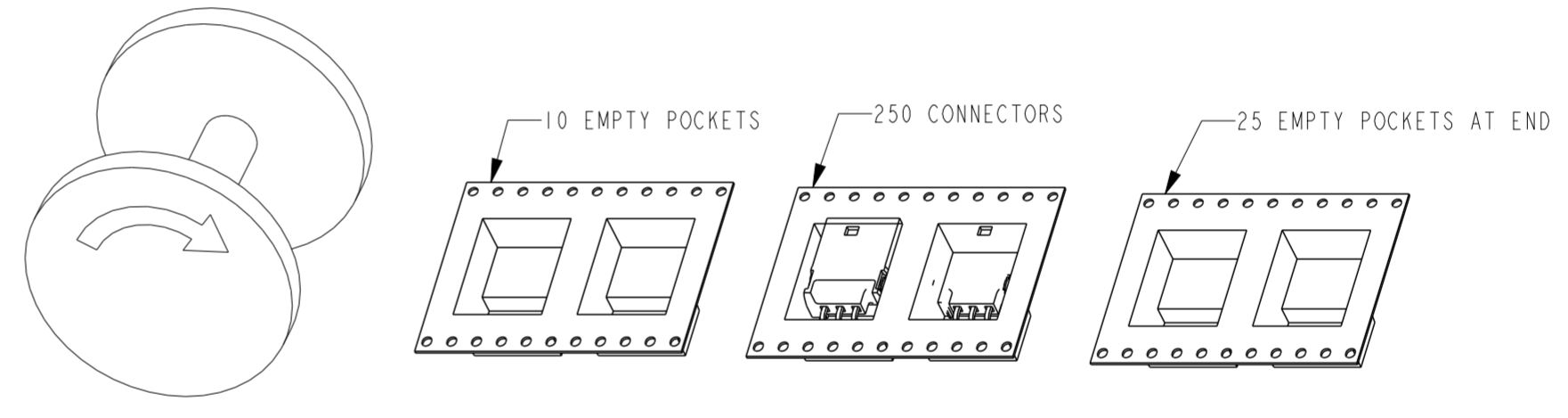
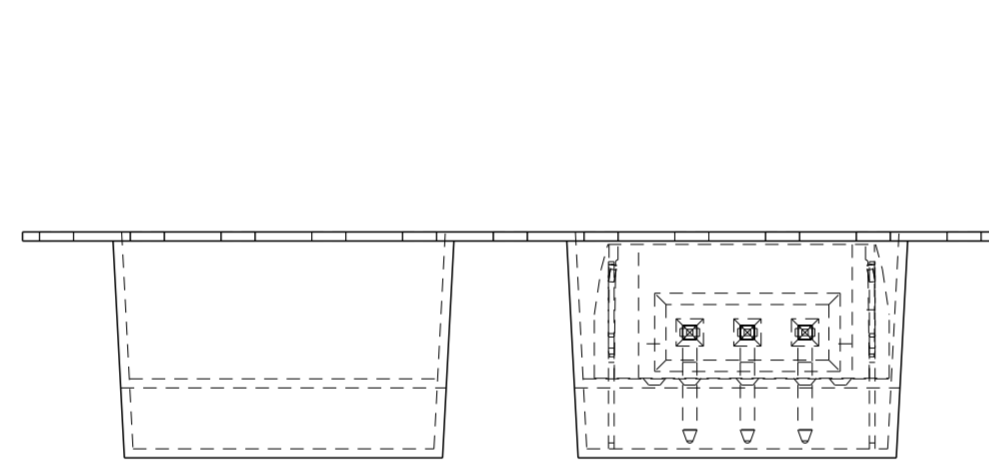
STE TE Connectivity			
SIZE	CAGE CODE	DRAWING NO	RESTRICTED TO
A2	00779	C-1857192	-
CUSTOMER DRAWING		SCALE 5:1	SHEET 1 OF 2

THIS DRAWING IS UNPUBLISHED. RELEASED FOR PUBLICATION  
 © COPYRIGHT - ALL RIGHTS RESERVED.

LOC	DIST	REVISIONS			
P	LTR	DESCRIPTION	DATE	DWN	APVD
IR	-	SEE SHEET 1	-	-	-



SECTION A - A



REEL OF 330MM DIA

1857192-2 AS SHOWN.

THIS DRAWING IS A CONTROLLED DOCUMENT.		DWN J.V.D. HEIJDEN 06 JUL 05	TE Connectivity	
DIMENSIONS: mm		CHK D.CAMPSCHROER 06 JUL 05		
TOLERANCES UNLESS OTHERWISE SPECIFIED:		APVD J.BROEKSTEEG 06 JUL 05	NAME PIN HEADER 3 POSITION TYPE D	
0 PLC ± 1 PLC ±0,1 2 PLC ±0,05 3 PLC ± 4 PLC ± ANGLES ± FINISH		PRODUCT SPEC -	SIZE A2	CAGE CODE 00779
MATERIAL -		APPLICATION SPEC -	DRAWING NO C-1857192	RESTRICTED TO
		WEIGHT -	SCALE 5:1	SHEET 2 OF 2
		CUSTOMER DRAWING	REV F1	

单击下面可查看定价，库存，交付和生命周期等信息

[>>TE Connectivity\(泰科\)](#)