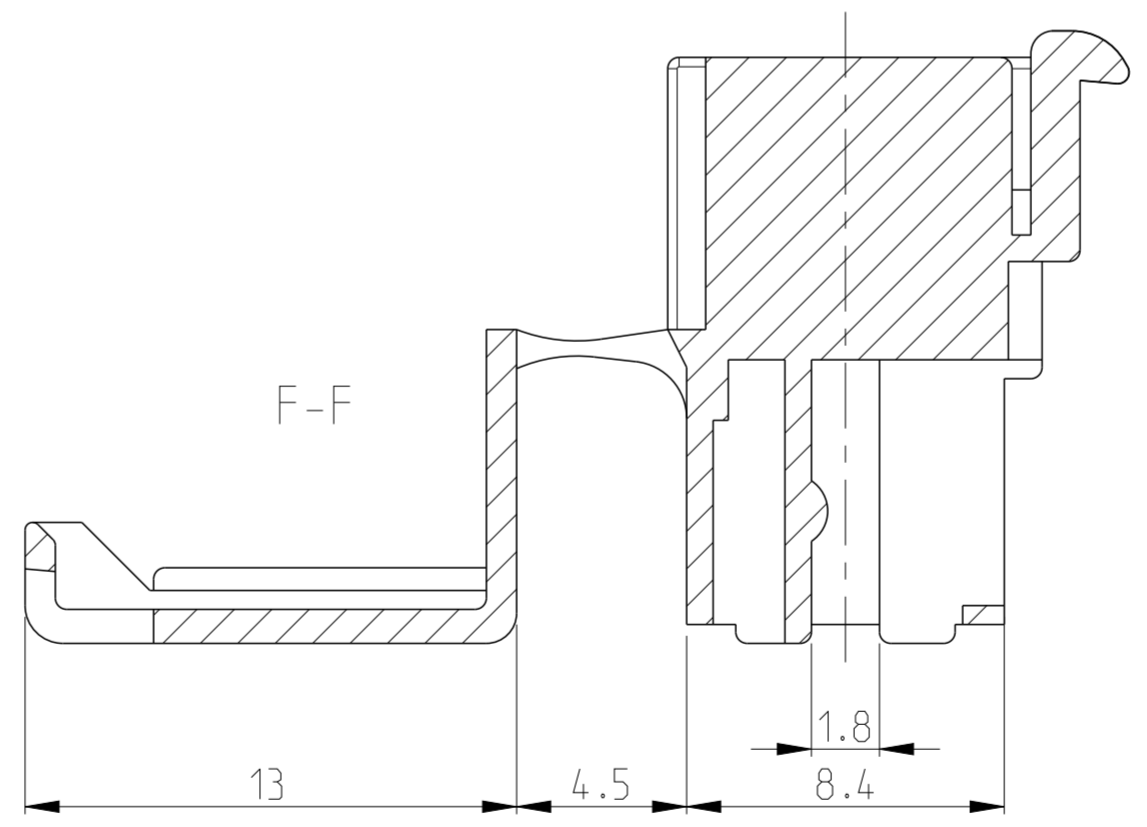
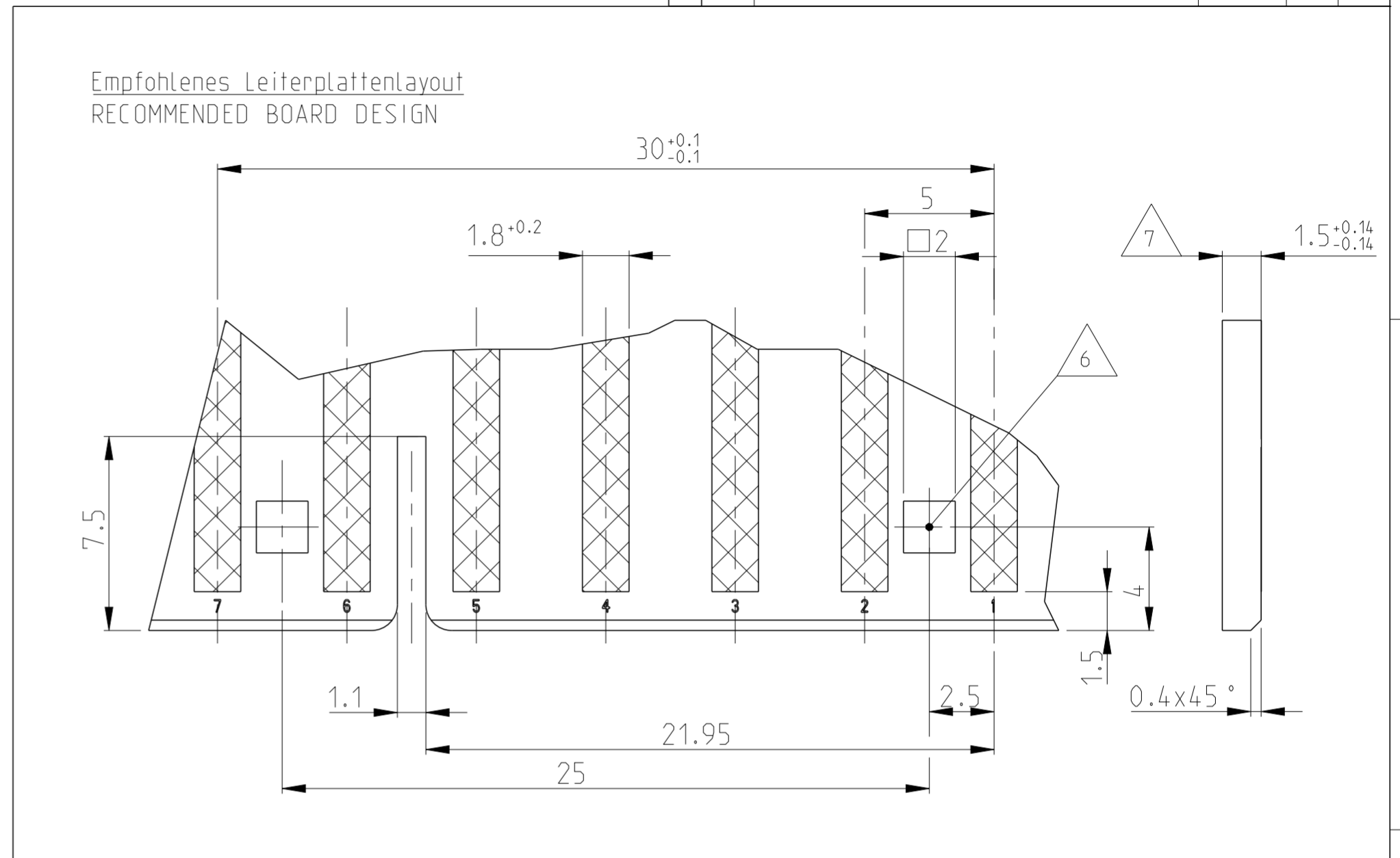
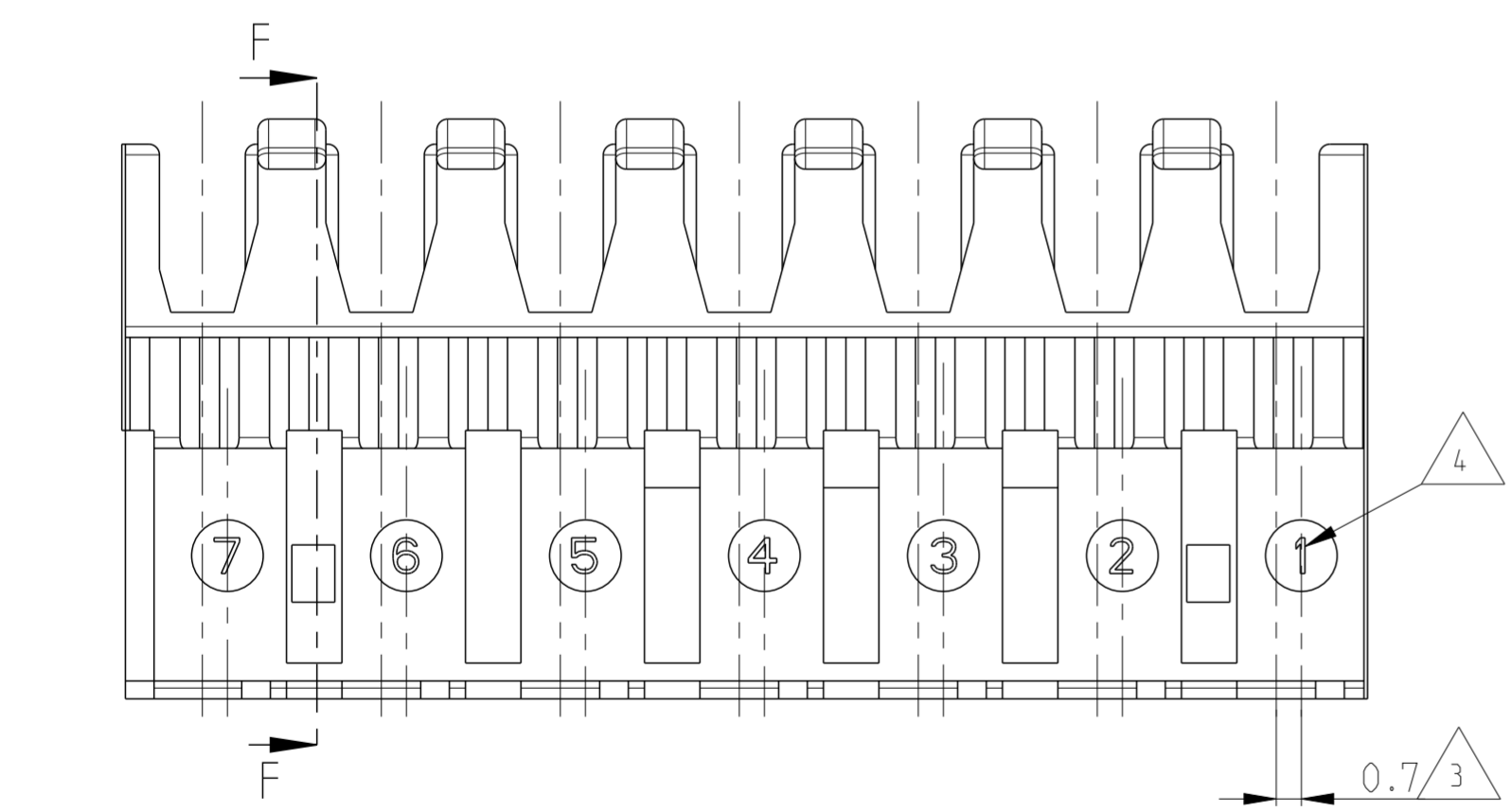
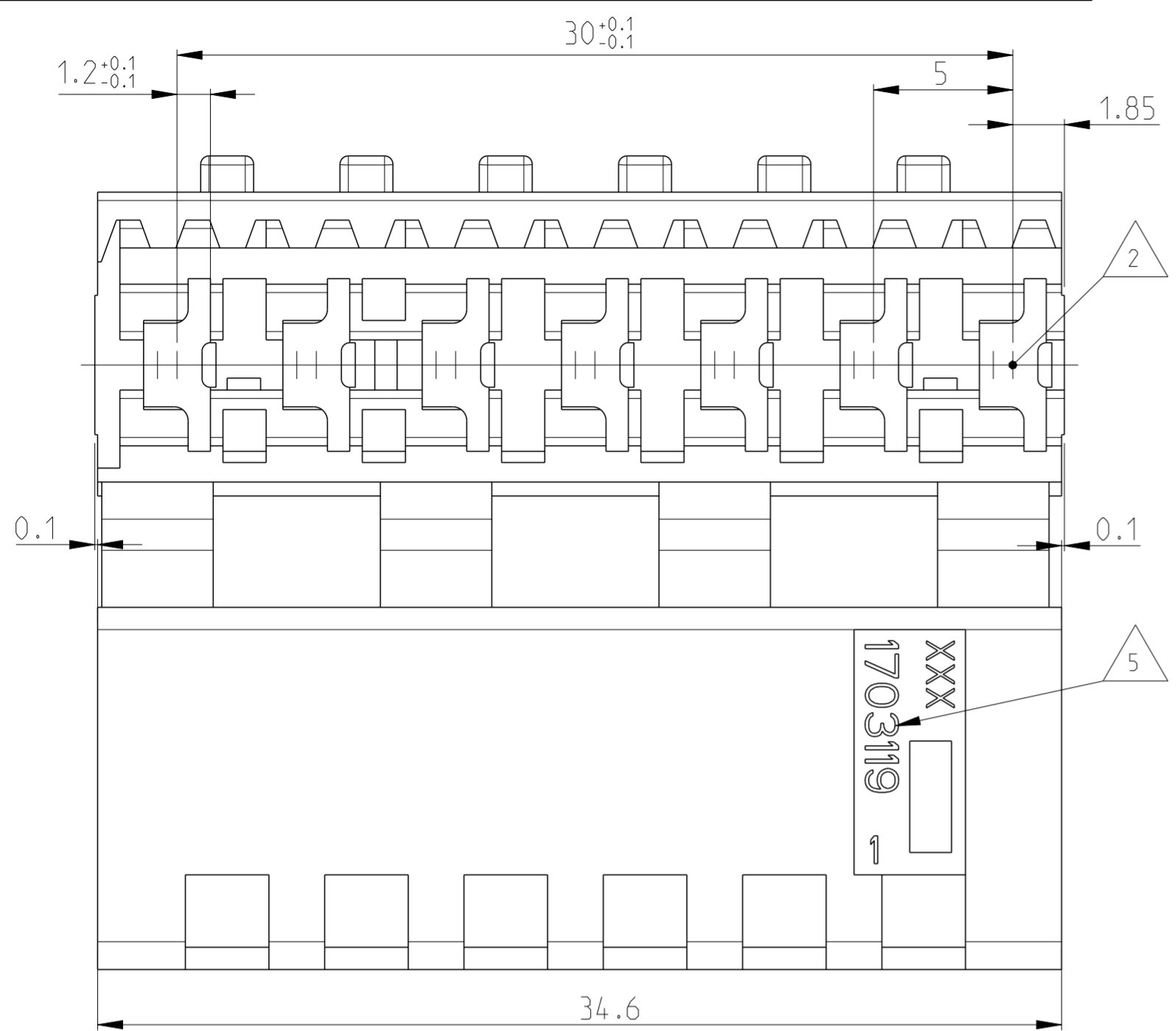


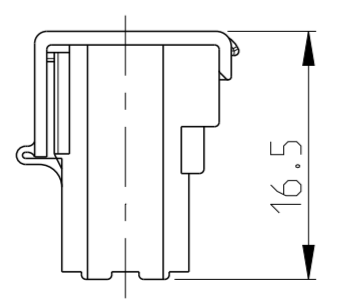
LOC	DIST	REVISIONS			
P	LTR	DESCRIPTION	DATE	DWN	APVD
A1	-	B	ECR-12-002845	13APR2012	MKD RRP
		B1	ECR-13-010494	08JUL2013	MKD RRP



Bemerkungen
NOTES

- 1 Massgebend ist der deutsche Text
ONLY THE GERMAN-LANGUAGE VERSION SHALL BE BINDING
- 2 Lage des Kontaktpunktes auf der Leiterplatte; Abweichung ±0.4
POSITION OF CONTACT POINT ON BOARD; DEVIATION ±0.4
- 3 Kontaktierung zur Drahtmitte um 0.7mm versetzt
CONTACTING 0.7mm DISPLACED TO WIRE CENTRELINE
- 4 Kontaktkammer-Nr.
CONTACT CAVITY #
- 5 Firmenlogo und Leergehäuse-Nr.
ARTWORK LOGO AND HOUSING # (NON LOADED)
- 6 Vierkantloch 2x2 mm wahlweise Rastloch Ø2.5 mm
SQUARE HOLE 2x2 mm OPTIONAL LOCKING HOLE Ø2.5 mm
- 7 Ausführung nach DIN 60249-2-4
BOARD DESIGN ACCORDING TO DIN 60249-2-4
- 8 Crimp Kontakt-Nr.
Material: CuSn4 926770-1: 926917-1
CRIMP CONTACT #
MATERIAL: CuSn4

Schematische Darstellung des
MT-Edge Gehäuses mit
geschlossenem Deckel
SCHEMATIC DESCRIPTION OF
MT-EDGE HOUSING WITH
CLOSED LID



2:1

THIS DRAWING IS A CONTROLLED DOCUMENT.		DWN MAHNKE, B. 27SEP2004	TE Connectivity	
DIMENSIONS: mm		CHK STREDAK, F. 20DEC2004		
TOLERANCES UNLESS OTHERWISE SPECIFIED:		APVD BLEICHER, M. 21DEC2004	NAME 7 POS. MT-EDGE HOUSING RAST 5mm	
0 PLC ±	±0.2mm	PRODUCT SPEC 108-18003	SIZE	CAGE CODE
1 PLC ±	±	APPLICATION SPEC 114-18002	DRAWING NO	RESTRICTED TO
2 PLC ±	±	WEIGHT 3.393 g	A2	1703119
3 PLC ±	±	CUSTOMER DRAWING	SCALE 5:1	SHEET 1 OF 1
4 PLC ±	±°			REV B1
ANGLES	±°			
FINISH				
MATERIAL PA6.6 / UL94V-2				

单击下面可查看定价，库存，交付和生命周期等信息

[>>TE Connectivity\(泰科\)](#)