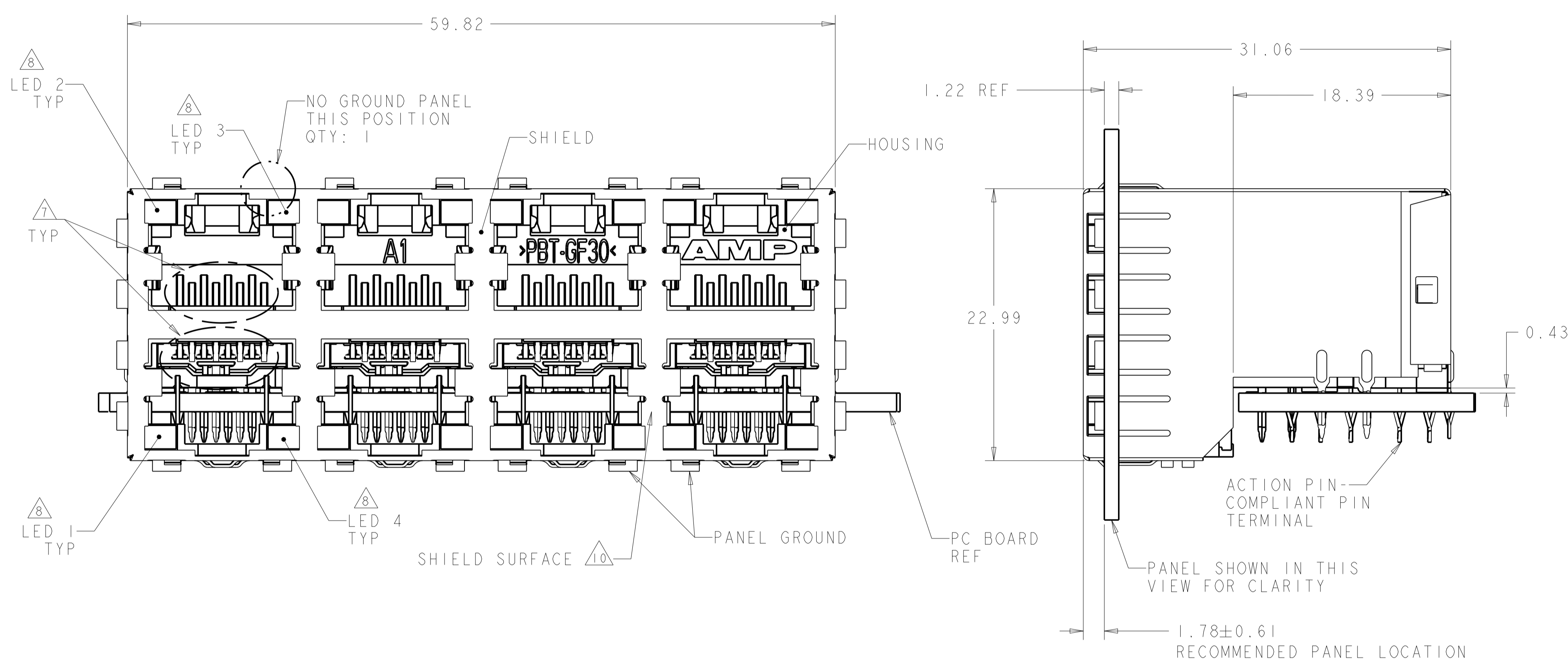
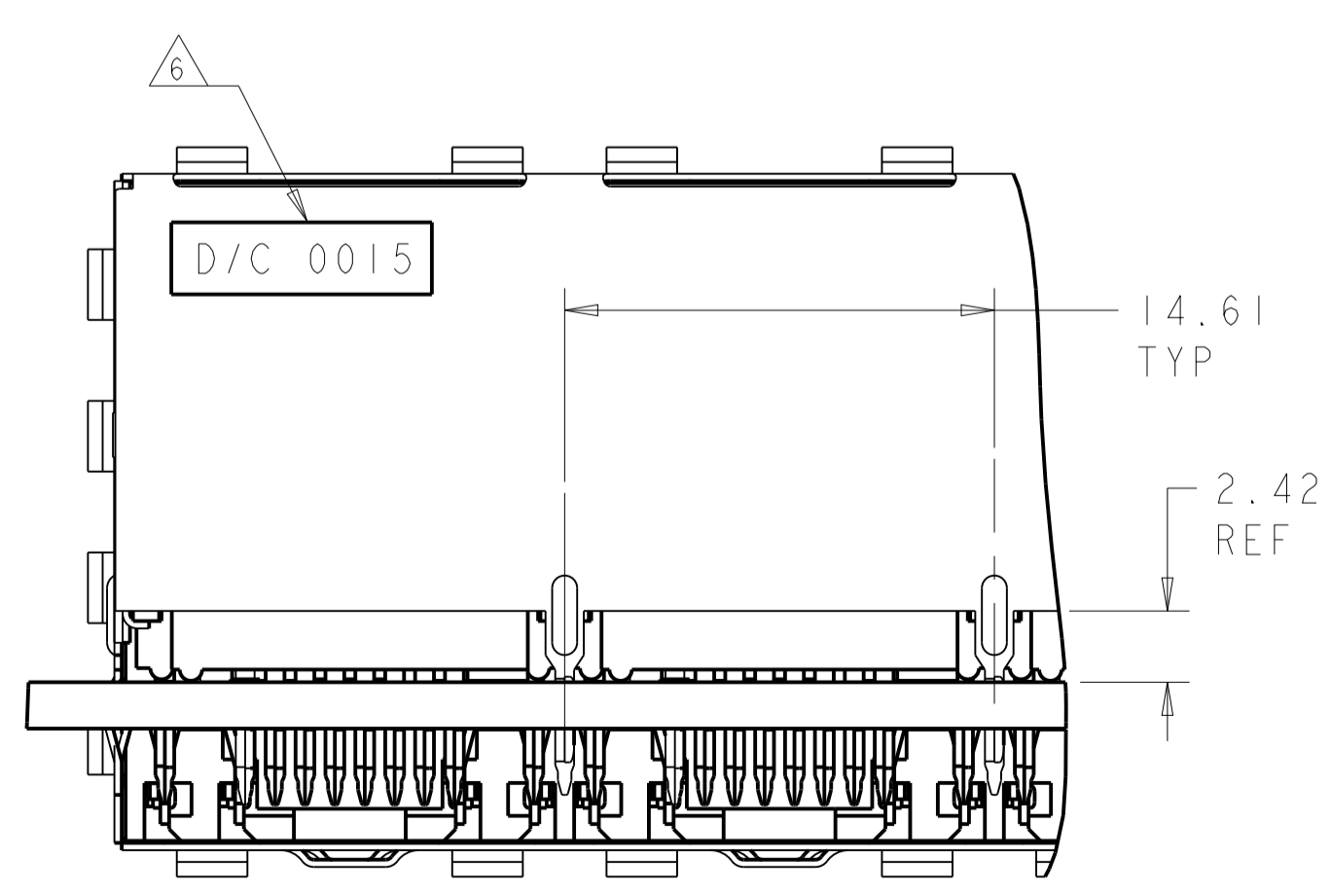


REVISIONS				
P.	LTN	DESCRIPTION	DATE	OWN APVD
B	ECO-06-011836		20MAR2006	LAM JW
C	ECO-06-014722		20JUN2006	LAM JW
D	ECO-15-006810		22JAN2016	LL SH
E	REVISED PER ECO-21-000623		28JAN2021	AK SZ



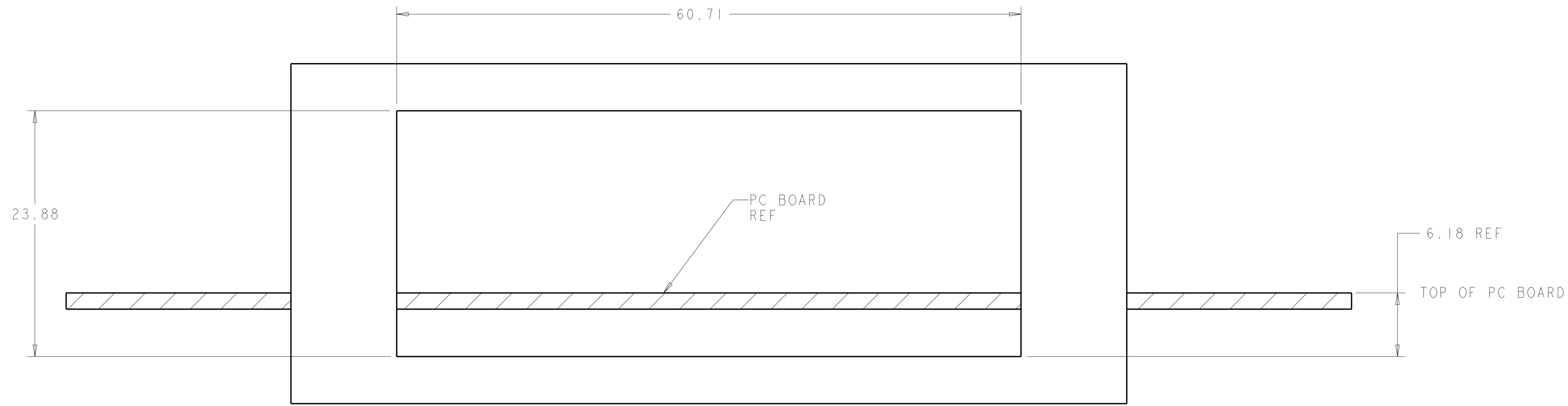
- MATERIAL:
HOUSING
 PBT POLYESTER, BLACK, UL 94V-0.
TERMINALS
 0.33 THICK PHOSPHOR BRONZE PLATED WITH 1.27µm MINIMUM THICK HARD GOLD IN LOCALIZED AREA AND 3.81µm MINIMUM THICK MATTE TIN IN ACTION PIN COMPLIANT PIN TERMINAL AREA OVER 1.27µm MINIMUM THICK NICKEL UNDERPLATE.
SHIELD
 0.25 THICK COPPER ALLOY PLATED WITH 1.27µm MINIMUM NICKEL.
LIGHT EMITTING DIODE (LED)
 DIFFUSED EPOXY LENS, 12.95 CARBON STEEL WIREFRAME LEADS PREPLATED WITH 8.89µm THICK Sn/Cu OVER 2.03µm THICK Ag OVER 1.02µm THICK Cu OVER 3.56µm THICK Ni OVER 1.02µm THICK Cu UNDERPLATE
LED ACTION PIN - COMPLIANT PIN CONTACTS
 0.3 THICK BRASS PLATED WITH 2µm MINIMUM MATTE TIN OVER 1.27µm MINIMUM NICKEL UNDERPLATE.
- JACK CAVITY CONFORMS TO FCC RULES AND REGULATIONS, PART 68 SUBPART F.
- ALL DIMENSIONS ARE NOMINAL UNLESS OTHERWISE SPECIFIED.
- DRILLED HOLE DIA = 1.02±.025.
 COPPER THICKNESS = 0.025-0.075.
 TIN LEAD THICKNESS = 0.008 MIN.
- DATUMS AND BASIC DIMENSIONS ESTABLISHED BY CUSTOMER.
- DATE CODE LOCATED ON REAR OF PART APPROXIMATELY AS SHOWN.
- CONTACTS ARE NOT INTENDED TO BE ALIGNED WITH EACH OTHER.
- SUGGESTED OPERATING CURRENT FOR LEDS IS 20 mA.
- TWO LEDS PER PORT, SIZE .079 X .118, SEE TABLE FOR COLOR



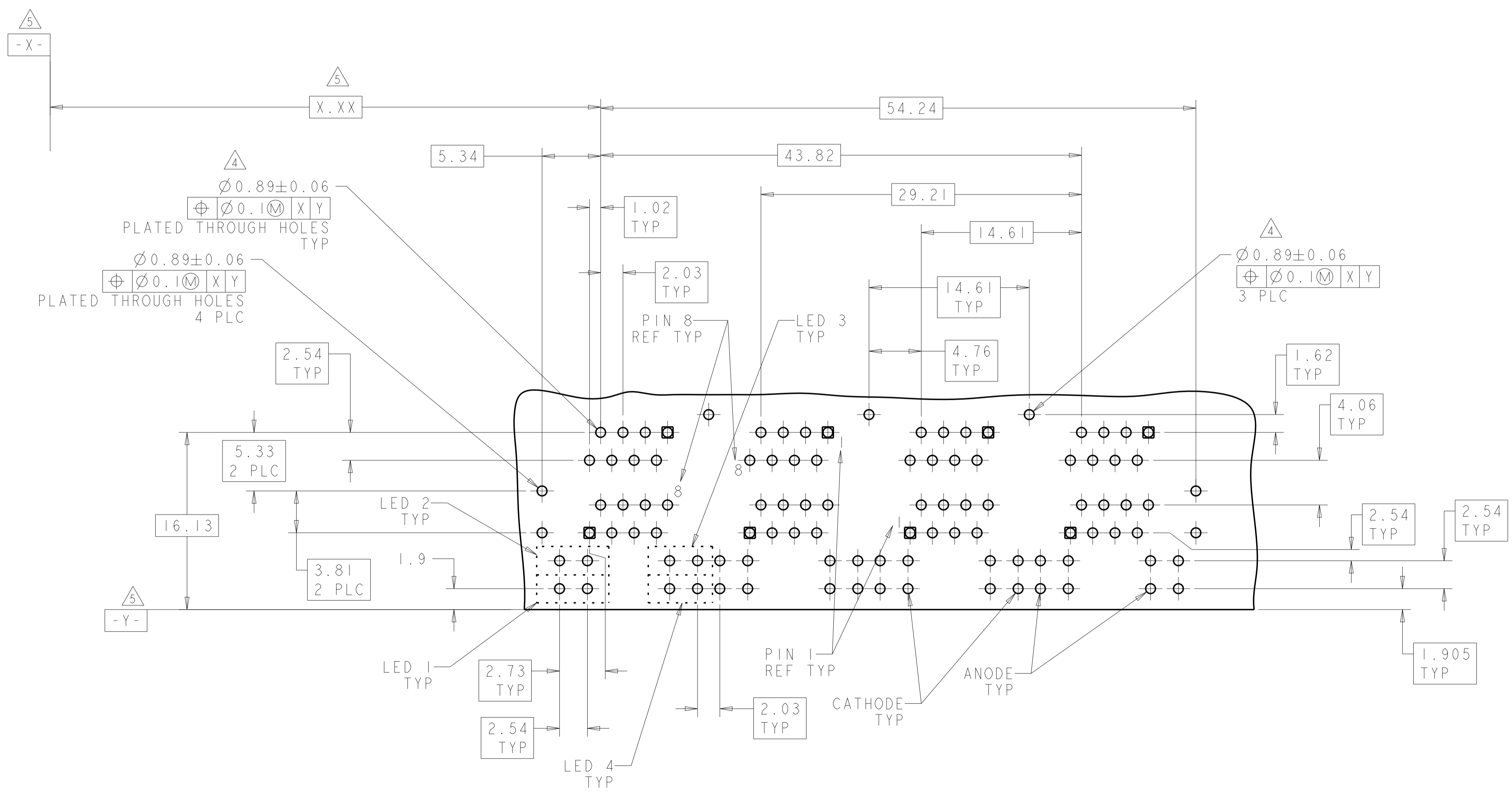
PARTIAL BACK VIEW

YELLOW	YELLOW	GREEN	GREEN	1888423-1
LED #4 (LOWER-RIGHT)	LED #3 (UPPER-RIGHT)	LED #2 (UPPER-LEFT)	LED #1 (LOWER-LEFT)	PART NUMBER
THIS DRAWING IS A CONTROLLED DOCUMENT.		OWN: B. HOLTZLAUER & MAYER CHM: J. WESTMAN APVD: S. FLICKINGER DATE: 30MAR2006		
DIMENSIONS: mm 0 PLC ± 1 PLC ±0.1 2 PLC ±0.13 3 PLC ± 4 PLC ± ANGLES ±		NAME: STACKED MODULAR JACK ASSEMBLY, 2x4 OFFSET, WITH LEDS, 8 POSN, RJ45 SHIELDED, PANEL GROUNDS, CAT 5 PRODUCT SPEC: 108-1854 APPLICATION SPEC: 114-2160 SIZE: A1 CAGE CODE: 00779 DRAWING NO: C=1888423 CUSTOMER DRAWING		
MATERIAL: SEE NOTE 1		WEIGHT: - SCALE: 4:1 SHEET: 1 OF 2 REV: E		

REVISIONS				
P.	LTN.	DESCRIPTION	DATE	APVD.
-	-	SEE SHEET 1	-	-



RECOMMENDED PANEL CUT-OUT



PC BOARD LAYOUT (COMPONENT SIDE)

THIS DRAWING IS A CONTROLLED DOCUMENT.		OWN: B. HOLTZLAUF & WAYER 30MAR2006	 TE Connectivity
DIMENSIONS: mm		CHK: J. WESTMAN 30MAR2006	
TOLERANCES UNLESS OTHERWISE SPECIFIED:		APVD: S. FLICKINGER 30MAR2006	NAME: STACKED MODULAR JACK ASSEMBLY, 2x4 OFFSET, WITH LEDS, 8 POSN, RJ45 SHIELDED, PANEL GROUNDS, CAT 5
 0 PLC ±0.13 2 PLC ±0.13 3 PLC ±0.13 4 PLC ±0.13 ANGLES ±1		PRODUCT SPEC: 108-1854	SIZE: A1
MATERIAL: SEE NOTE 1		APPLICATION SPEC: 114-2160	CAGE CODE: 1888423
FINISH: SEE NOTE 1		WEIGHT: -	SCALE: 4:1
CUSTOMER DRAWING		DATE: 30MAR2006	SHEET: 2 OF 2
		REV: E	

单击下面可查看定价，库存，交付和生命周期等信息

[>>TE Connectivity\(泰科\)](#)