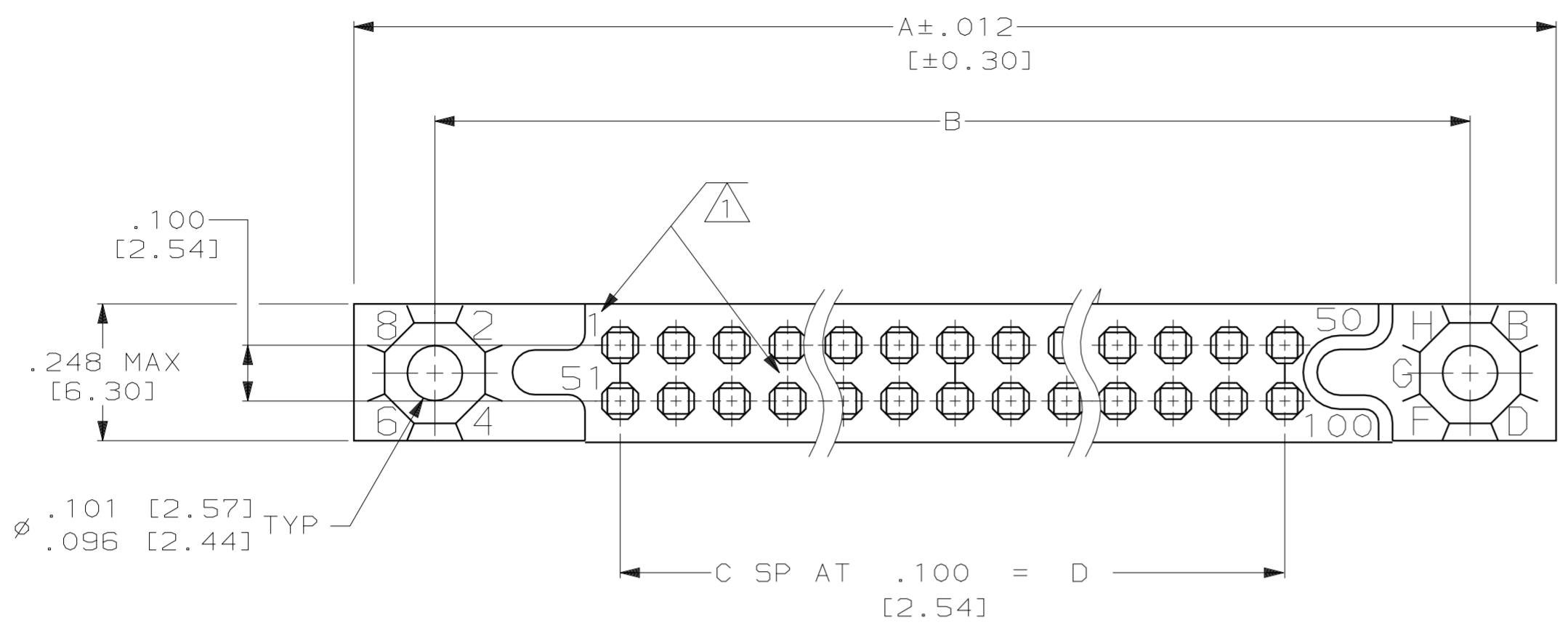
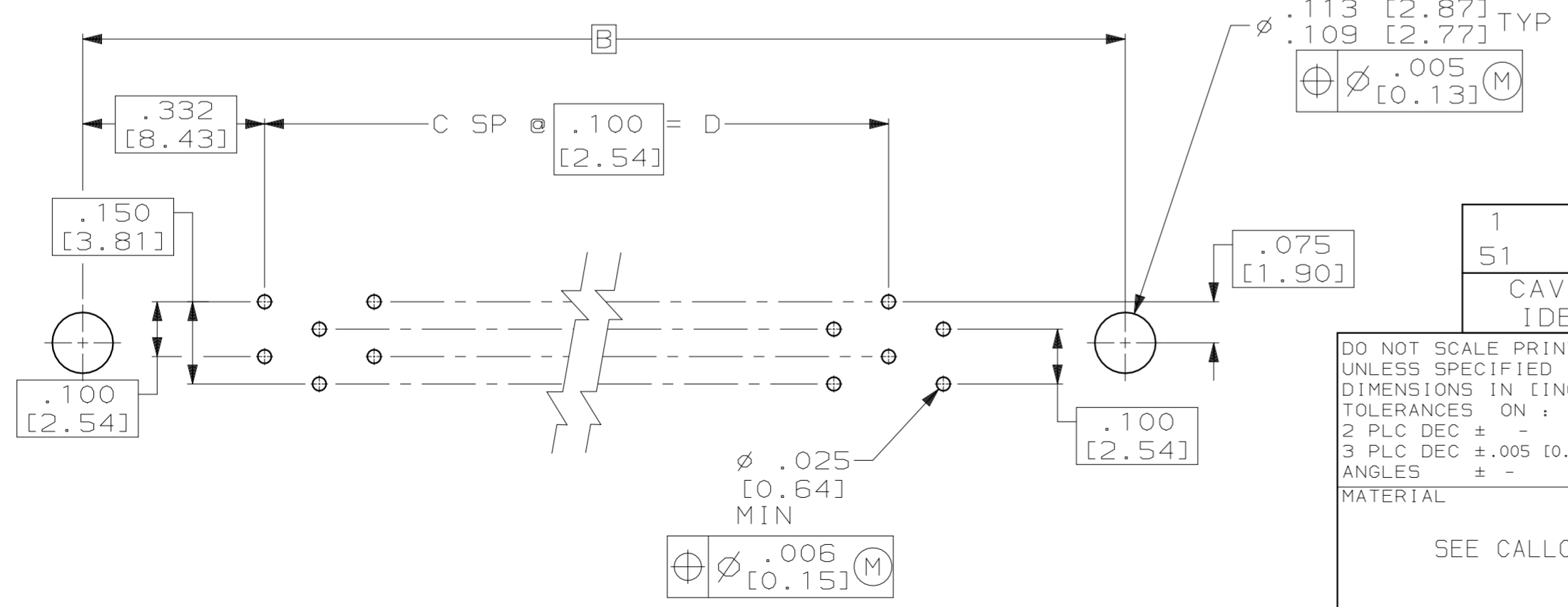
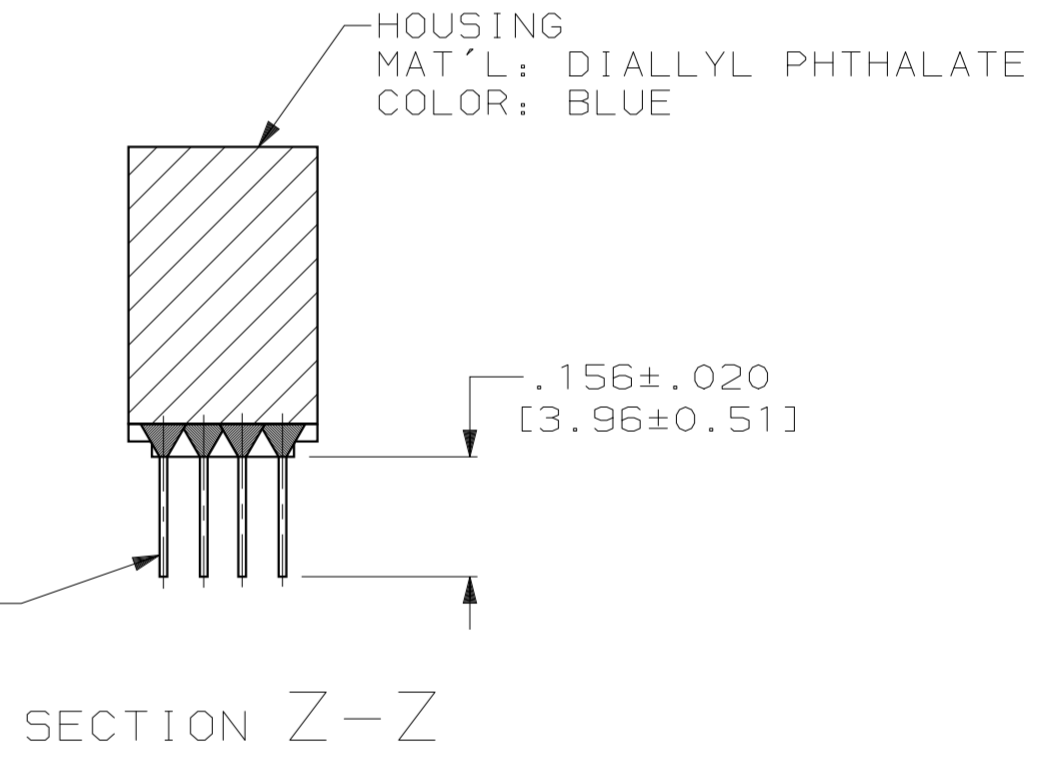
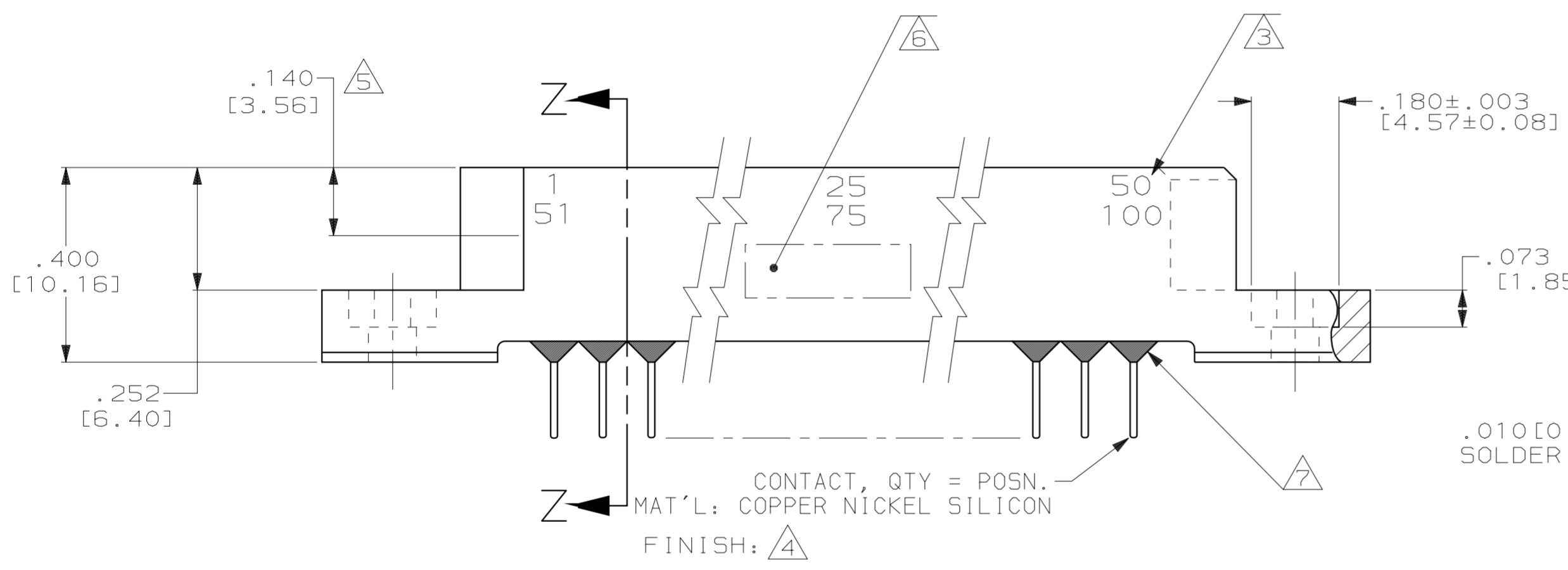


THIS DRAWING IS UNPUBLISHED. RELEASED FOR PUBLICATION  
 © COPYRIGHT 19 BY AMP INCORPORATED. ALL INTERNATIONAL RIGHTS RESERVED.

LOC		DIST		ZONE		LTR		REVISIONS			
DF	FO	P	F					DESCRIPTION	DATE	APPD	
						D		REV PER ECO 06-17518	CT	7-25-06	NT



- 1 END CAVITIES & LINES INDICATING EVERY FIVE CAVITIES INK STAMPED WHITE ON MATING FACE.
- 2. CONNECTOR MEETS ALL APPLICABLE REQUIREMENTS OF MIL-C-55302.
- 3 NUMBERS INDICATING EVERY FIVE CAVITIES INK STAMPED WHITE ON THIS SIDE.
- 4 FINISH: PLATED GOLD .000050 [0.0013] THK. IN CONTACT AREA. TAIL PLATED TIN-LEAD .000120 [0.0030] THK., ALL OVER NICKEL .000030-.000100 [0.0008-0.0025] THK.
- 5 MAX DEPTH OF CONTACT POINT.
- 6 CUSTOMER P/N, AMP, DATE CODE, AMP P/N AND 00779 INK STAMPED WHITE THIS SIDE.
- 7 EPOXY PREFORM TO BE ADDED TO BOTTOM OF HOUSING, MENISCUS TO BE BELOW HOUSING STANDOFFS
- 8 SOLDER TINES SOLDER DIPPED PER MIL-C-55302.



1	50	4.900	49	5.565	5.855	34050975-006	100	447639-1
51	100	[124.46]		[141.35]	[148.59]			
CAVITY IDENT	D	C	B	A	CUSTOMER PART NUMBER	POSN	PART NUMBER	

DO NOT SCALE PRINT. UNLESS SPECIFIED DIMENSIONS IN [INCHES] mm	DR 11-17-90 R. RINEHART	AMP Incorporated Harrisburg, PA 17105-3608
TOLERANCES ON :	CHK 12-6-90 G. GILLFORD	
2 PLC DEC ± -	APPD 12-6-90 G. GILLFORD	NAME
3 PLC DEC ±.005 [0.13]	APPD 12-6-90 M.E. COWHEN	SEALED RECEPTACLE ASSY, 1000 SERIES BOX, FLOW SOLDER CONTACTS AND MOUNTING HOLES
ANGLES ± -	PRODUCT SPEC	SIZE
MATERIAL	SEE CALLOUTS	CAGE CODE
FINISH	SEE CALLOUTS	00779
	APPLICATION SPEC	DRAWING NO
	WEIGHT -	447639
		SCALE 4:1
		SHEET 1 OF 1

RECOMMENDED P.C. BOARD LAYOUT (CONNECTOR SIDE)

单击下面可查看定价，库存，交付和生命周期等信息

[>>TE Connectivity\(泰科\)](#)