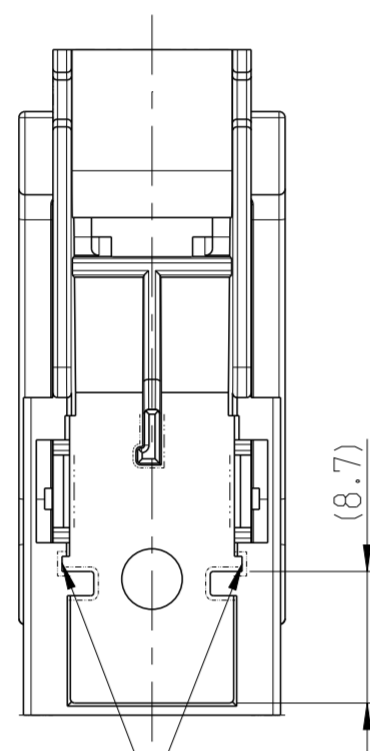
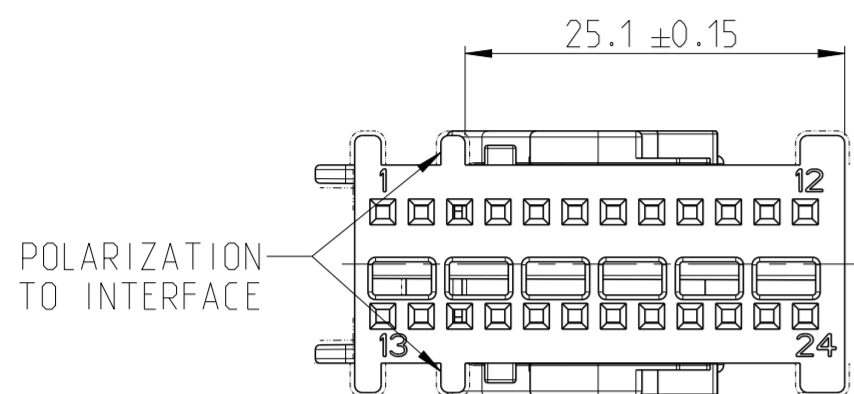


P	LTR	DESCRIPTION BESCHREIBUNG	DATE	DWN	APVD
A1		SEE PCN E-18-009021	11JUN2018	CS	SH
A2		SEE PCN E-19-001684	31JAN2019	CS	SH
A3		SEE PCN E-19-002592	18FEB2019	CS	SH
A4		SEE PCN E-19-005945	12APR2019	HPS	SH

CODING: A A4

AS SHOWN 2330170-2

FITS TO RECEPTACLE INSERT
 PN: 0-2284224-2

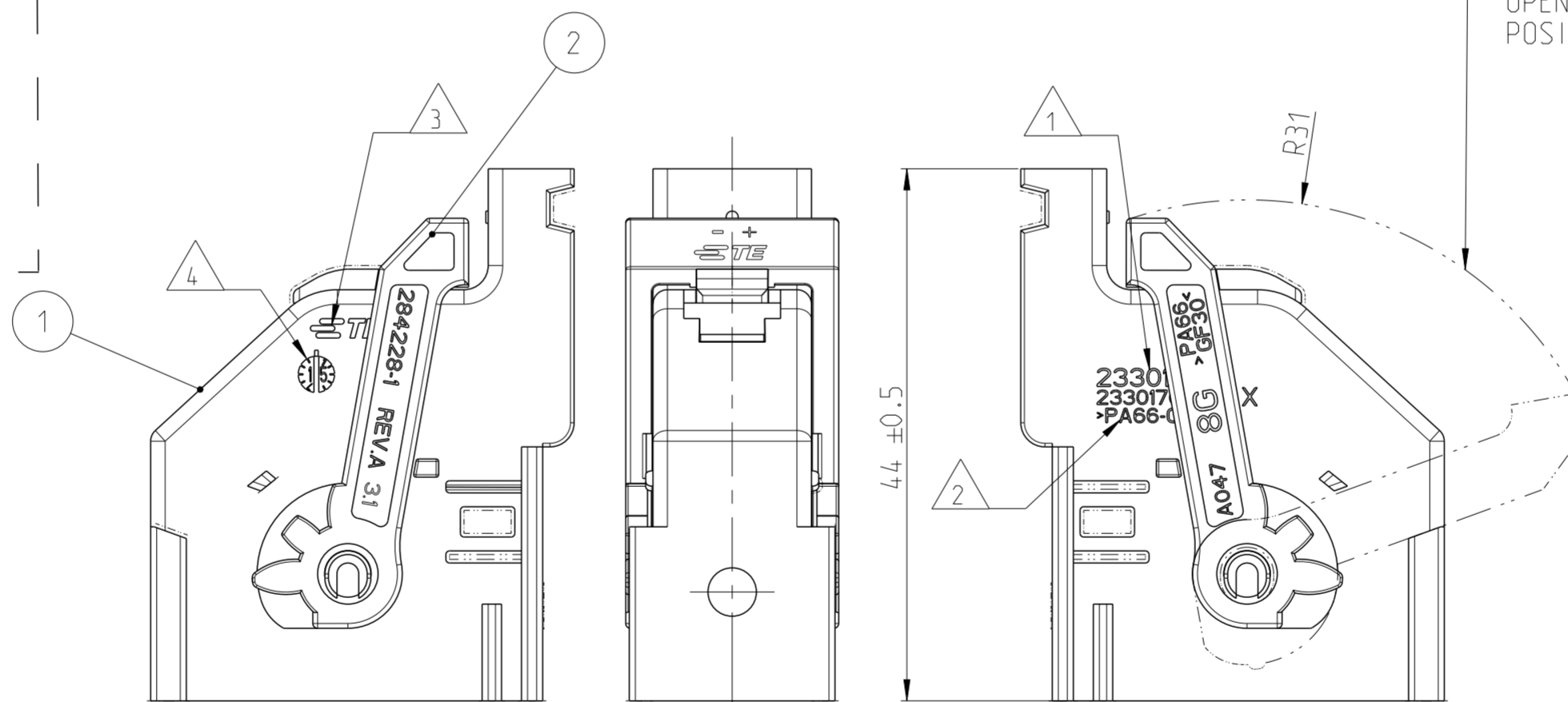
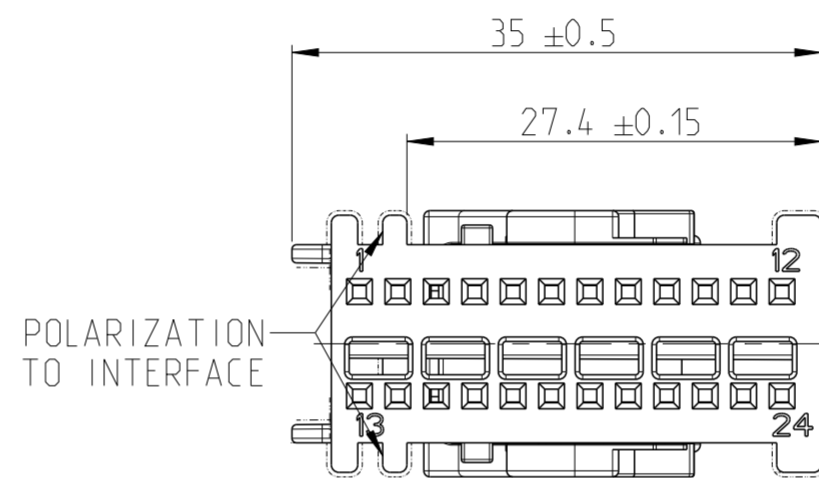


POLARIZATION TO RECEPTACLE INSERT

CODING: B A4

AS SHOWN 2330170-1

FITS TO RECEPTACLE INSERT
 PN: 0-284224-1



NOTES:

Bemerkungen:

- 1 TE CONNECTIVITY (TE) ASSEMBLY NUMBER
TE Connectivity (TE) Baugruppennummer
- 2 MATERIAL MARKING ACCORDING TO VDA260
Materialkennzeichnung nach VDA260
- 3 TE CONNECTIVITY LOGO
TE Connectivity Logo
- 4 PRODUCTION DATE OF COMPONENT
Produktionsdatum des Bauteils
- 5 BULK PACKAGING IN CORRUGATED BOX
Schuettgut im Versandkarton
- 6 DELIVERY CONDITION IN CLOSED LEVER POSITION
Auslieferungszustand mit geschlossenem Hebel
- 7 FITS TO INTERFACE DRAWING
Passend zu Schnittstellenzeichnung

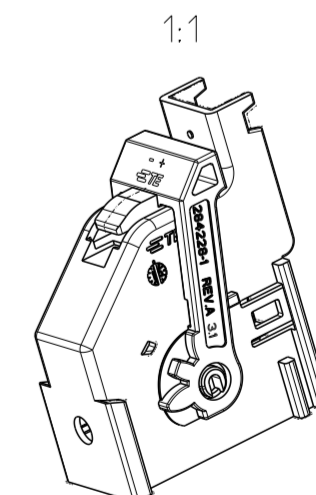
TE-NO.: 114-20123

LEVER IN OPENED POSITION

POLARIZATION TO RECEPTACLE INSERT

DIMENSION AND TOLERANCES ACCORDING TO:
 Bemaßungen und Toleranzen gemäß:

DIN 16742
 DIN EN ISO 8015 (AD) - DIN EN ISO 291
 DIN EN ISO 14405



THIS DRAWING IS A CONTROLLED DOCUMENT.
 DIMENSIONING AND TOLERANCING PER GPS (ISO STANDARDS)

DIMENSIONS: MASSEINHEITEN: (MM)		TOLERANCES UNLESS OTHERWISE SPECIFIED: ALLGEMEINTOLERANZEN	
1	PLC	±	±
2	PLC	±	±
3	PLC	±	±
4	PLC	±	±
ANGLES/WINKEL		±2°	
FINISH/OBERFLAECHE/FARBE		see table siehe Tabelle	

DWN	S. Helm	15JAN2018	TE Connectivity
CHK	F. Eltrop	16JAN2018	
APVD	C. Eberwein	16JAN2018	
NAME			
PRODUCT SPEC	108-94721		24POS. AIRBAG CONNECTOR ASSEMBLY 24pol. Airbag Stecker Baugruppe
APPLICATION SPEC	114-94593		
WEIGHT	7.7g	SIZE	A2
CUSTOMER DRAWING	/KUNDENZEICHNUNG	SCALE	MASSSTAB 2:1
DRAWING NO	ZEICHNUNGS-NR.	SHEET	BLATT 1 OF 1
RESTRICTED TO	NUR FUER	REV	A4

TE ORDER NO	REV	QUANTITY	MATERIAL	COLOUR/Farbe	DESCRIPTION	ITEM
2330171-2	A	1	PA66GF30	BLACK/Schwarz	24POS. AIRBAG CONNECTOR	2
	A	1	PA6.6GF30	GREEN/Gruen	LEVER/Hebel	1
2330171-1	A	1	PA66GF30	GREY/Grau	24POS. AIRBAG CONNECTOR	2
	A	1	PA6.6 GF30	GREEN/Gruen	LEVER/Hebel	1

单击下面可查看定价，库存，交付和生命周期等信息

[>>TE Connectivity\(泰科\)](#)