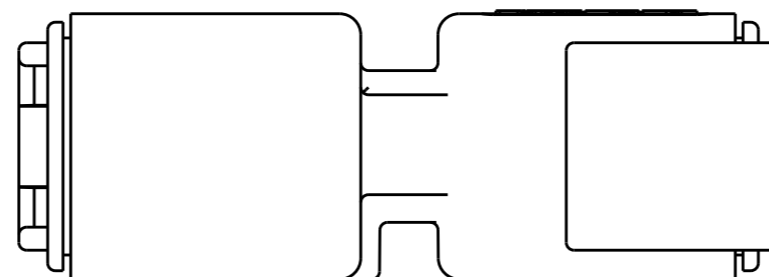
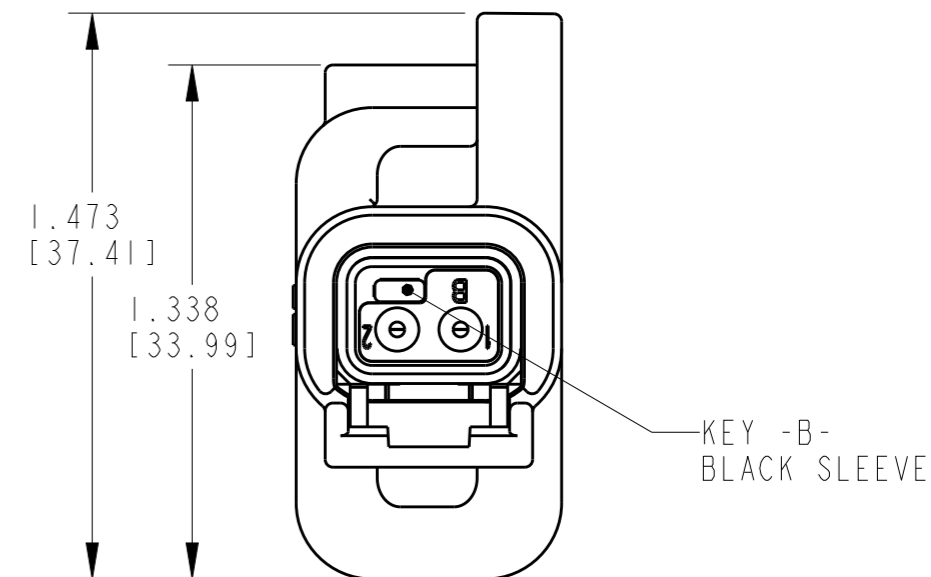
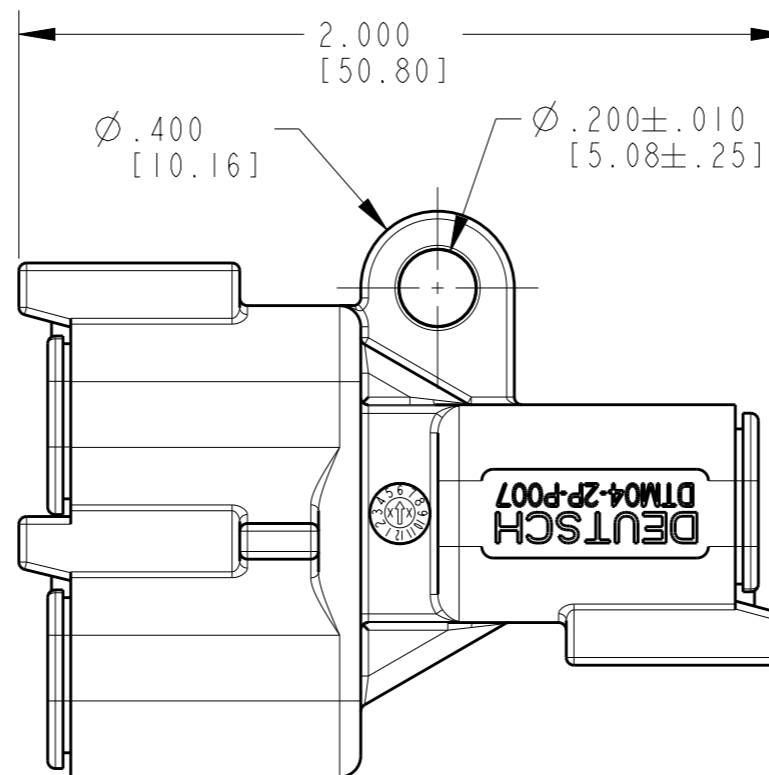
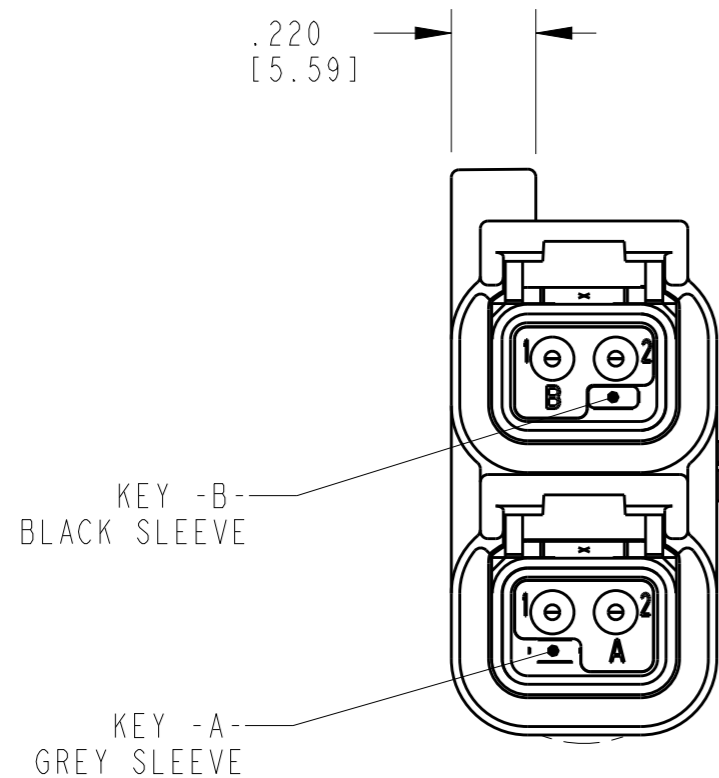


P	LTR	DESCRIPTION	DATE	DWN	APVD
NC		NEW RELEASE PER E.O. PI5971	25MAR1999	-	CW
A		REVISED PER E.O.PI6386	15NOV1999	-	CW
B		REVISED PER E.O PI6907	18OCT2000	-	RDR
BI		REVISED PER PCN E-19-019747	13DEC2019	MK	DM



5. CONTACT FACTORY FOR SAE J1939-15 CONNECTOR USAGE.
4. THIS RECEPTACLE MATES WITH DTM06-2S-XXXX PLUG. (XXXX = ALL MODIFICATIONS)
3. HOUSING MATERIAL: PA66 GF15; COLOR:BLACK; PINS: COPPER ALLOY GOLD PLATED; SEAL: SILICONE (RED-ORANGE)
2. DIMENSIONS TOLERANCE: ±.025 [±.64].
1. ALL DIMENSIONS ARE IN INCHES [mm]

NOTES: UNLESS OTHERWISE SPECIFIED

THIS DRAWING IS A CONTROLLED DOCUMENT.		DWN J. APOSTOL 02NOV1999			
DIMENSIONS: INCHES [mm]		CHK A. ROLINSKI 16OCT2000			
TOLERANCES UNLESS OTHERWISE SPECIFIED:		APVD R. REED 18OCT2000		NAME RECEPTACLE 2 PIN, Y- SPLITTER P007 MOD DTM SERIES	
		PRODUCT SPEC -		SIZE A3	
MATERIAL		APPLICATION SPEC -		CAGE CODE 111139	
FINISH		WEIGHT		DRAWING NO. C=DTM04-2P-P007	
		CUSTOMER DRAWING		RESTRICTED TO -	
		SCALE 2:1		SHEET 1 OF 1	
				REV BI	

单击下面可查看定价，库存，交付和生命周期等信息

[>>TE Connectivity\(泰科\)](#)