

THIS DRAWING IS UNPUBLISHED.

RELEASED FOR PUBLICATION

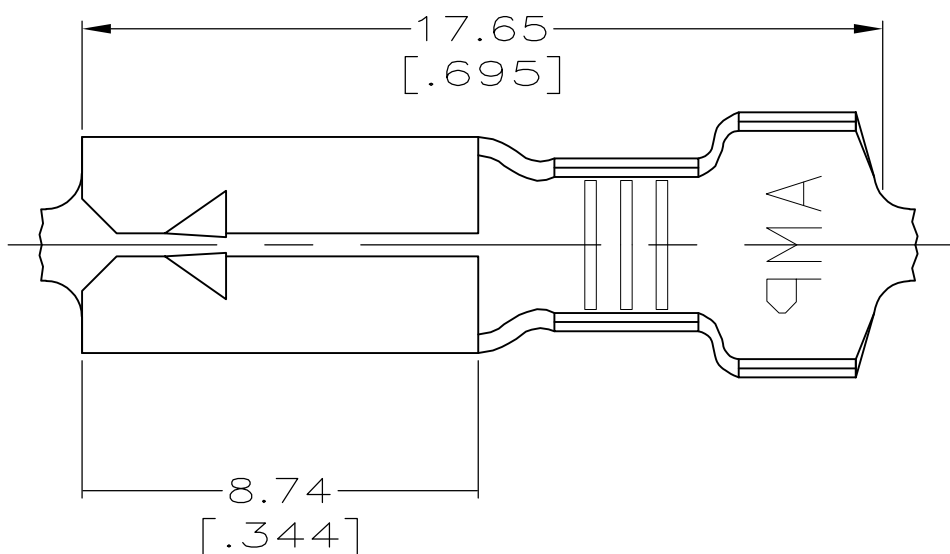
ALL RIGHTS RESERVED.

© COPYRIGHT - By -

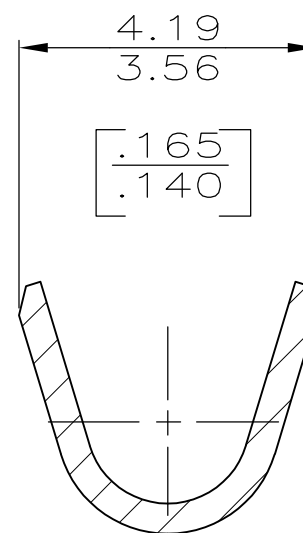
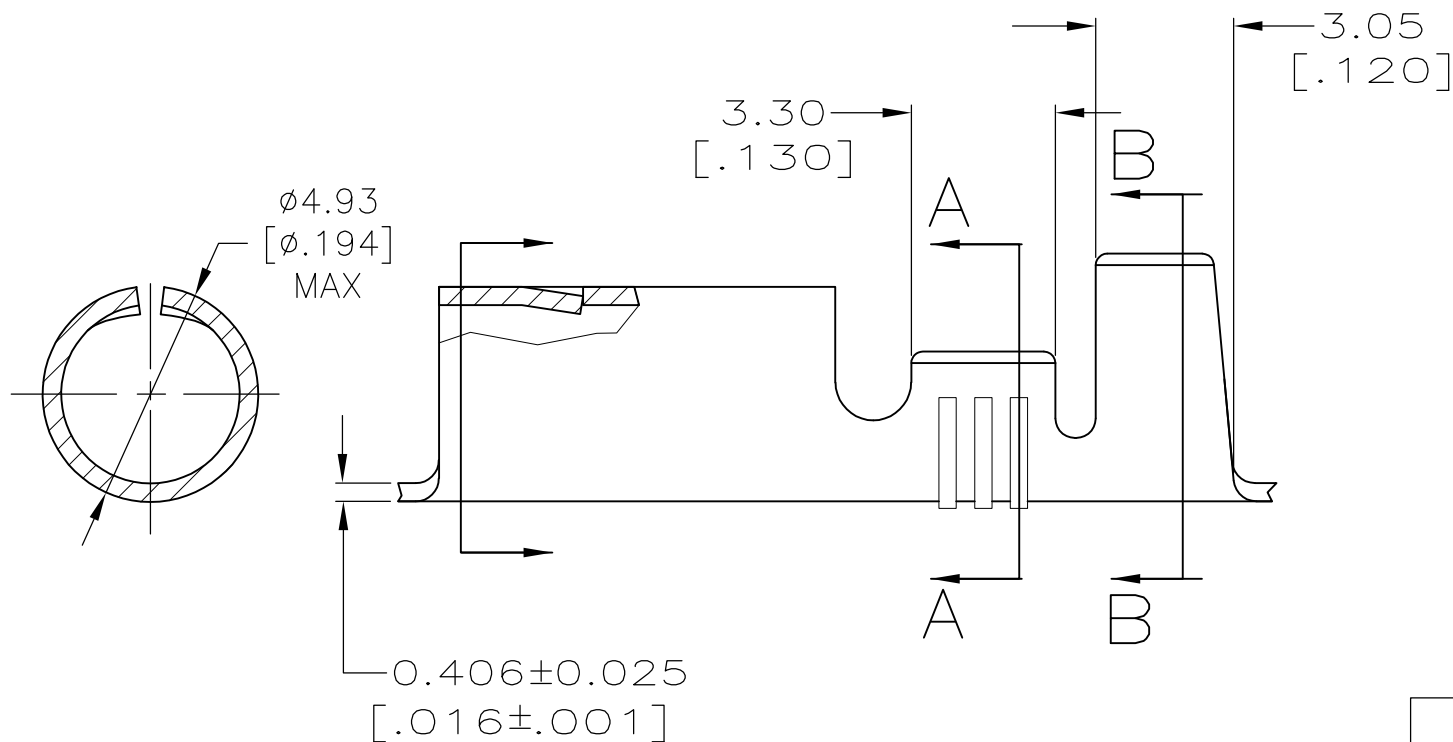
LOC AF DIST 50

REVISIONS

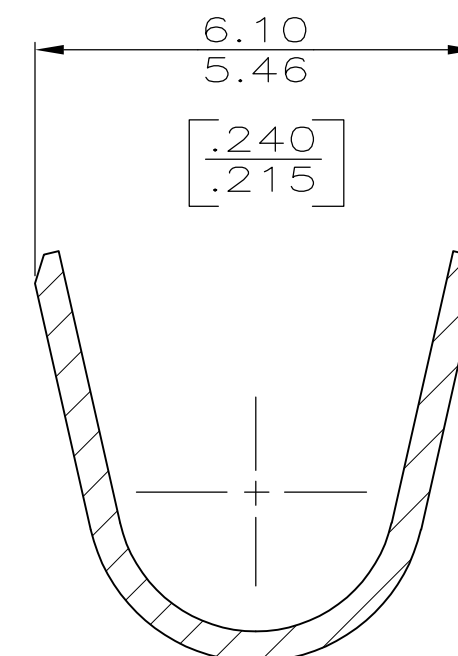
P	LTR	DESCRIPTION	DATE	DWN	APVD
	K2	REVISED PER ECO-11-004820	11MAR11	RK	HMR



- 1 CONTINUOUS STRIP ON REEL.
- 2 0.002032 [.000080] MIN TIN PL PER ASTM-B545.
- 3 0.00508 [.000200] MIN SILVER PL OVER 0.00254 [.000100] MIN COPPER UNDEPLATE OR 0.00127 [.000050] MIN NICKEL UNDEPLATE.



SECTION A-A SCALE 10:1



SECTION B-B SCALE 10:1

3	3.30-4.44 DIA	[18-14] AWG	42142-4
-	[.130-.175]		42142-2
2			42142-1
FINISH	INSULATION RANGE	WIRE RANGE	PART NO

THIS DRAWING IS A CONTROLLED DOCUMENT.		DWN 29/AUG/95 PHILLIP M FORTNEY	STE TE Connectivity	
		CHK 29/AUG/95 JEFF R RUTH		
DIMENSIONS: mm [INCHES]	TOLERANCES UNLESS OTHERWISE SPECIFIED:	APVD 29/AUG/95 GARY YETTER	NAME RECEPTACLE, SHUR PLUG, 3.96 [.156] DIA	
	0 PLC ± - 1 PLC ± - 2 PLC ± 0.25 [.010] 3 PLC ± - 4 PLC ± - ANGLES ± -	PRODUCT SPEC -	SIZE A3	CAGE CODE 00779
MATERIAL 4M BRASS	FINISH SEE TABLE	APPLICATION SPEC -	DRAWING NO C-42142	RESTRICTED TO -
CUSTOMER DRAWING			SCALE 6:1	SHEET 1 OF 1
			REV K2	

单击下面可查看定价，库存，交付和生命周期等信息

[>>TE Connectivity\(泰科\)](#)