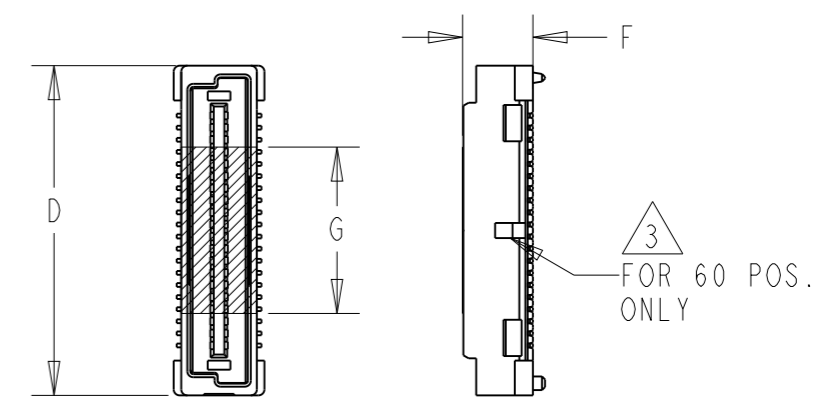
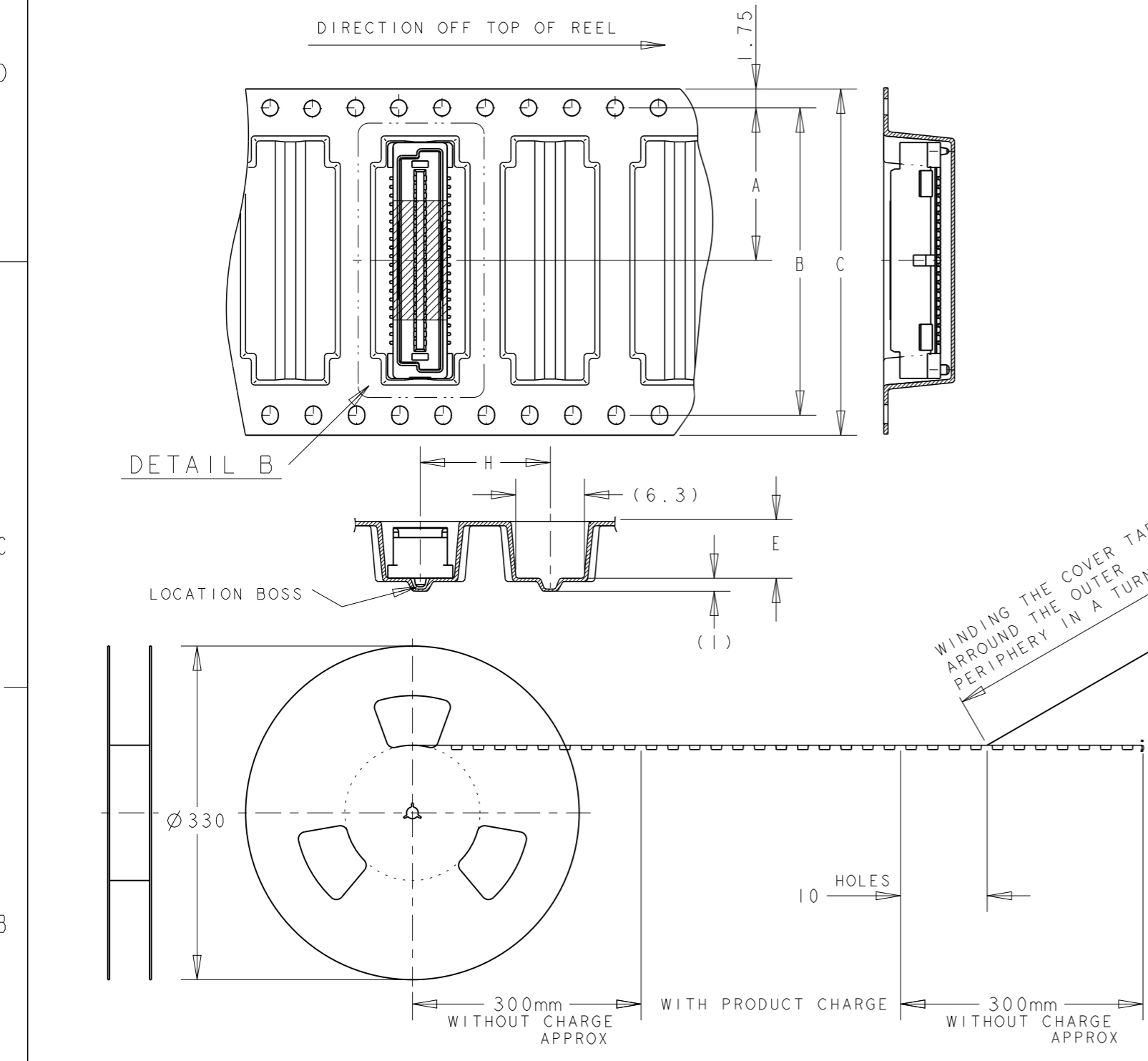


THIS DRAWING IS UNPUBLISHED. RELEASED FOR PUBLICATION .19  
 © COPYRIGHT 19 BY AMP INCORPORATED. ALL RIGHTS RESERVED.

LOC	DIST	REVISIONS					
		P	LTR	DESCRIPTION	DATE	DWN	APVD
DY	-		02	REVISED PER ECR-11-021926	28OCT2011	SYJ	LSF

NOTES:

- 1. MATERIAL:  
HOUSING: HIGH TEMP THERMOPLASTICS UL94-V0  
CONTACTS: COPPER ALLOY
- 2. FINISH:  
UNDERPLATE: 1.3um MIN NICKEL  
MATING AREA: 0.2um MIN AU  
SOLDERTAIL: 1.0um MIN MATTE TIN
- 3 CUTOUT FEATURE AVAILABLE ONLY ON P/N -2.
- 4 OBSOLETE PARTS: OBSOLETE CIS STREAMLINING PER D.RENAUD/S.SINISI



ACTIVE	650	5H	16	11	4.65	5.25	53.8	72	68.4	34.2	120	5177984-5	6735313-5
ACTIVE	650	5H	16	11	4.65	5.25	45.8	72	68.4	34.2	100	5177984-4	6735313-4
3 4	900	5H	16	11	4.65	5.25	29.8	44	40.4	20.2	60	5177984-2	6735313-2
REMARKS	QTY	HEIGHT TYPE	H	G	F	E	D	C	B	A	POS	CONN P/N	PART NO

THIS DRAWING IS A CONTROLLED DOCUMENT FOR AMP INCORPORATED. IT IS SUBJECT TO CHANGE AND THE CONTROLLING ENGINEERING ORGANIZATION SHOULD BE CONTACTED FOR THE LATEST REVISION.		DWN WYLEE	8JUN05	<b>STE</b> TE CONNECTIVITY Singapore
DIMENSIONS: mm		CHK YJ SEE	APVD SE LEONG	
TOLERANCES UNLESS OTHERWISE SPECIFIED: 0 PLC ±0.30 1 PLC ±0.25 2 PLC ±0.20 3 PLC ±0.20 4 PLC ±0.20 ANGLES ±3°		PRODUCT SPEC 108-5390		NAME ON TAPING (EMBOSS) FOR FH0.8 BTB PLUG ASSY WITH POLYIMIDE FILM (0.5 BOSS LENGTH, H=5mm) LF
MATERIAL - FINISH -		APPLICATION SPEC 114-5254		
		WEIGHT	-	SIZE A3
		CUSTOMER DRAWING		CAGE CODE 00779
				DRAWING NO G-6735313
				SCALE 2:1 SHEET 1 OF 1 REV 02

单击下面可查看定价，库存，交付和生命周期等信息

[>>TE Connectivity\(泰科\)](#)