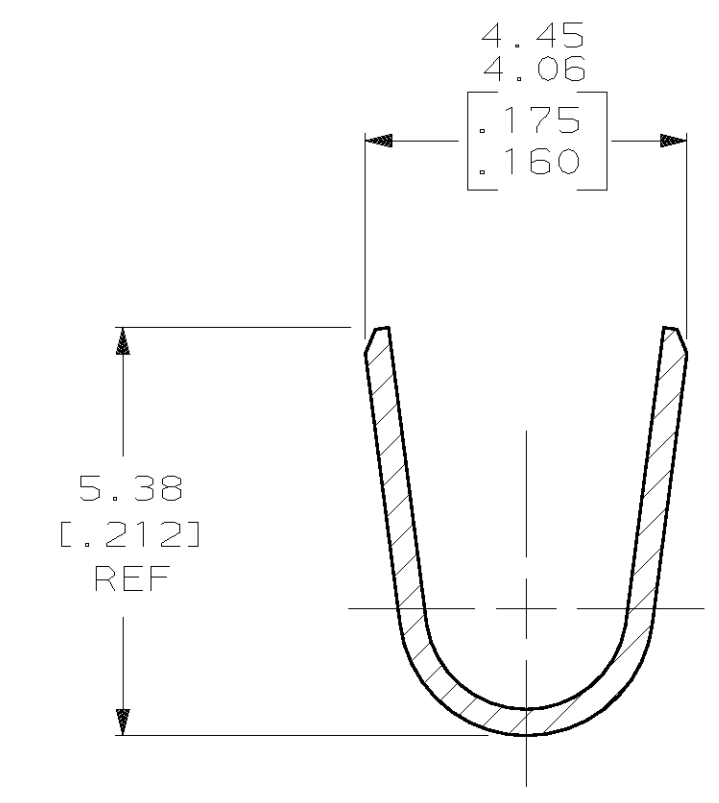
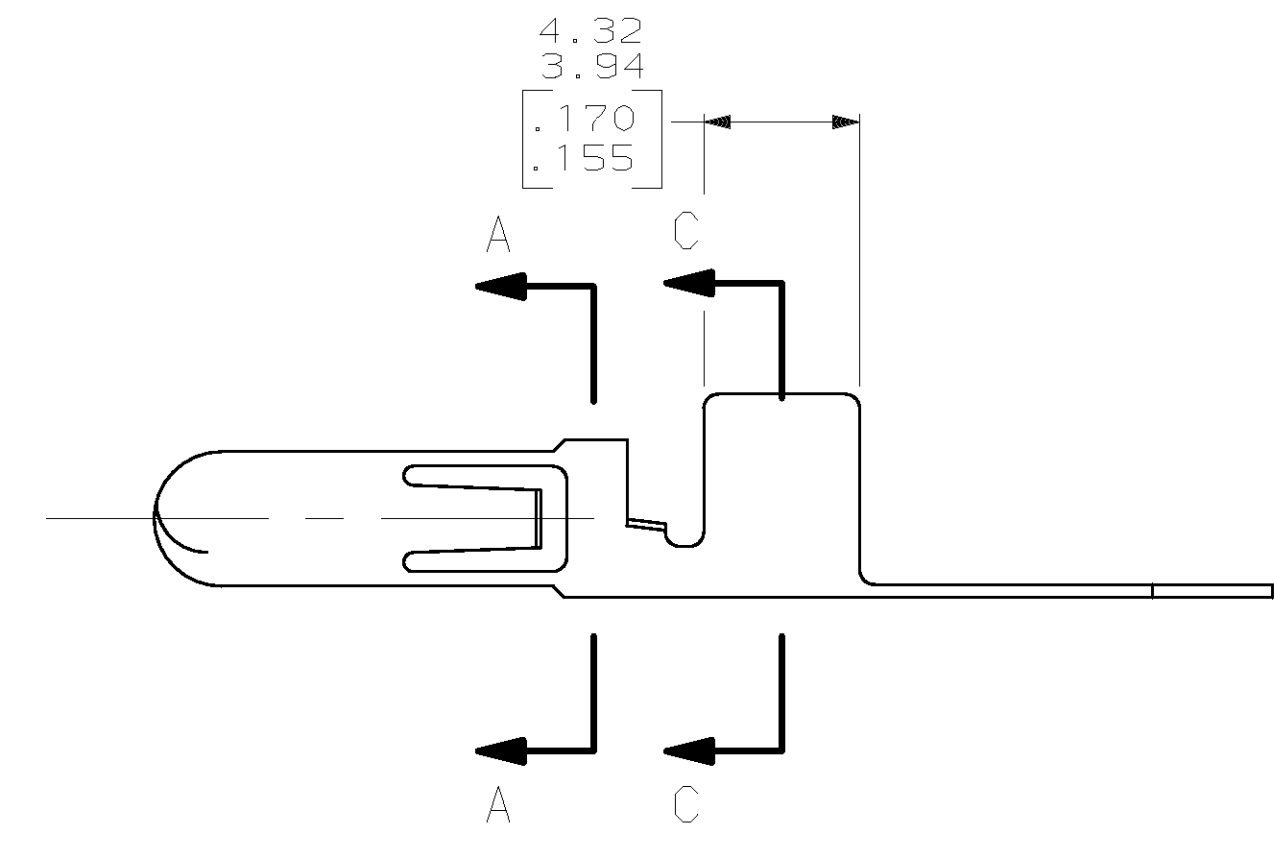
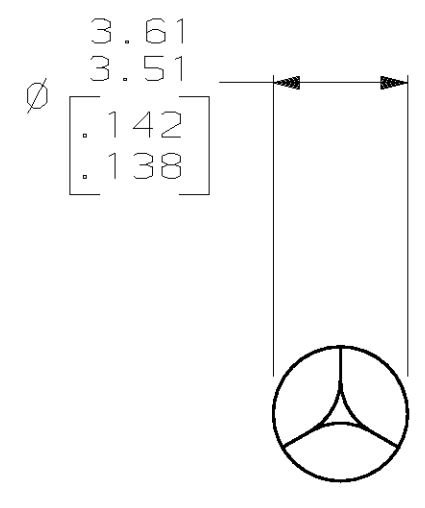
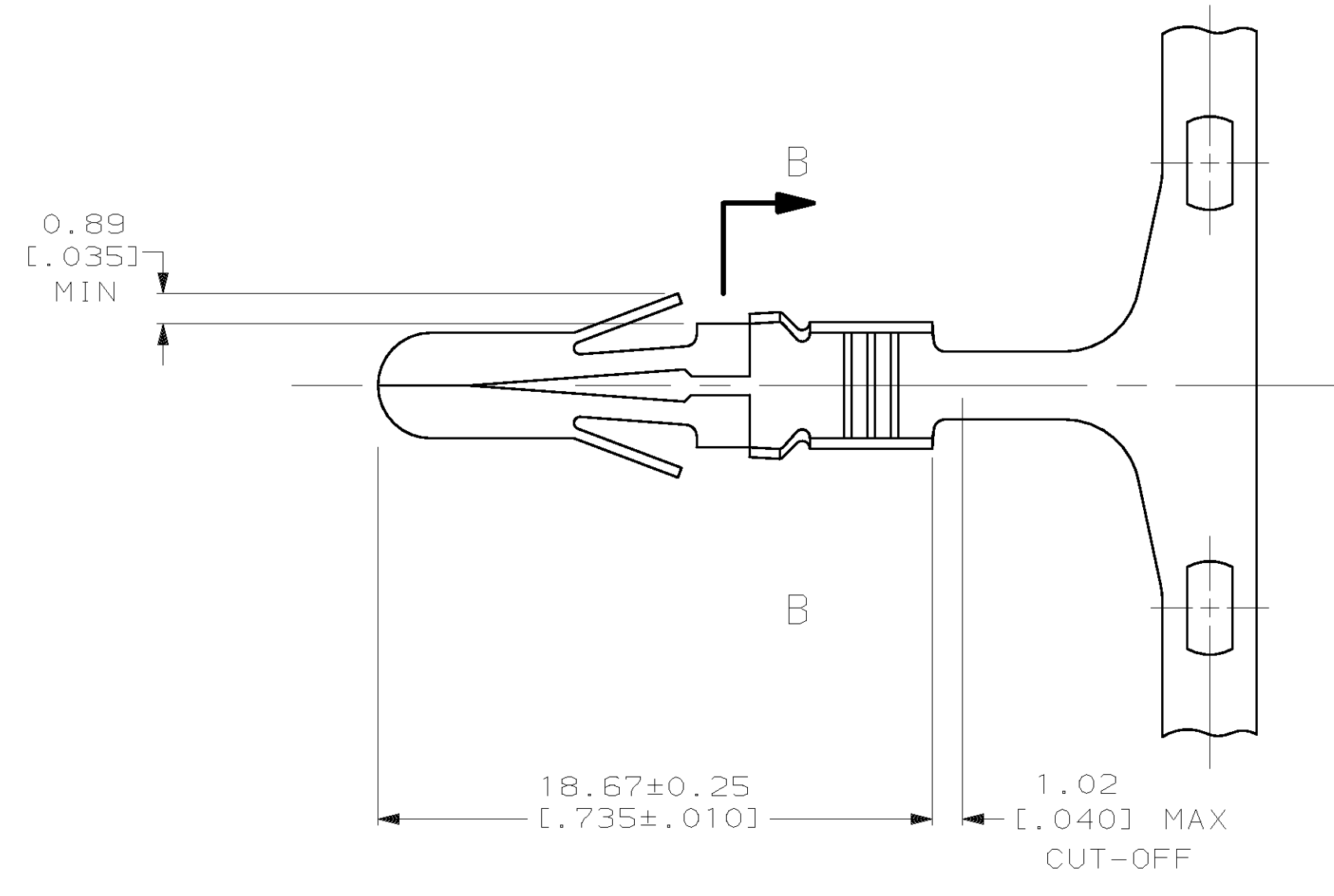
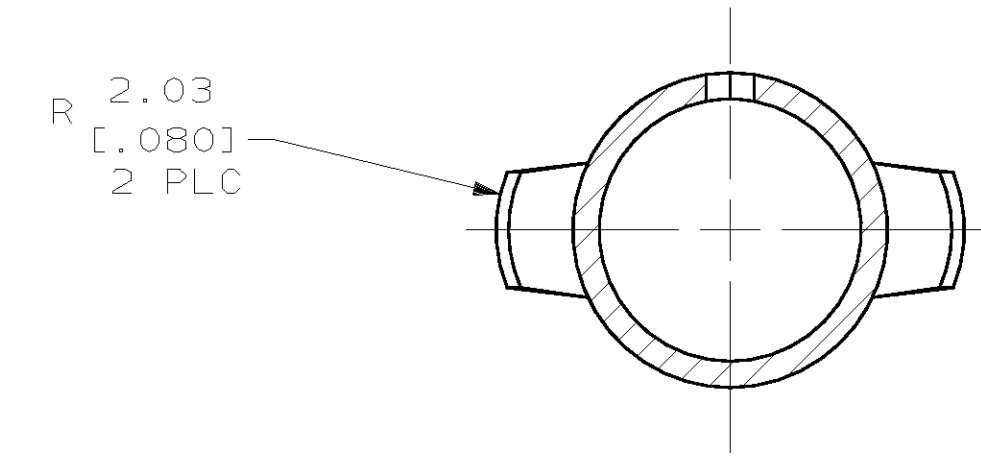


LOC		DIST		REV		REVISIONS		DATE	APPD
CM	53	P	F	ZONE	LTR	DESCRIPTION			
						D	REV PER EC 061B-0102-98	6-2-98	JH RS

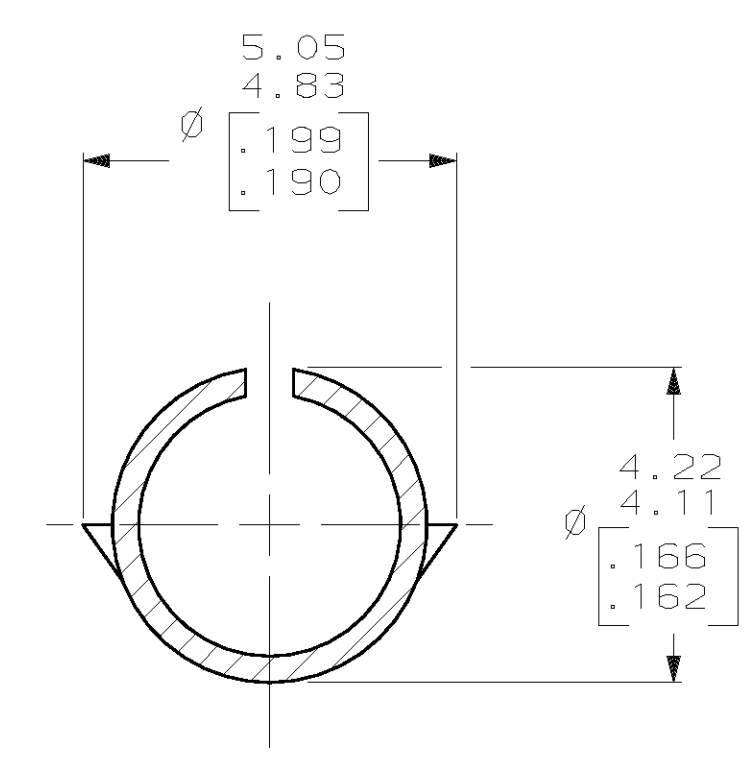
1. WIRE RANGE: 2 - 6 mm<sup>2</sup> [14-10] AWG.
2. TO BE USED IN HOUSING P/N 770464-1 ONLY.
3. DIMENSIONS IN BRACKETS ARE IN INCHES.



**METRIC**



SECTION A-A  
SCALE 10:1



SECTION B-B  
ROTATED 90° CCW  
SCALE 10:1

SECTION C-C  
SCALE 10:1

770484-1  
PART NO

DO NOT SCALE PRINT. UNLESS SPECIFIED DIMENSIONS IN MM [INCHES] TOLERANCES ON: 2 PLC DEC ± 0.13 [.005] 3 PLC DEC ± _____ ANGLES ± _____	DR K. WHITAKER 12-20-88
MATERIAL 0.36 [.014] BRASS	CHK R. SWING 12-21-88
FINISH PRE-TIN	APPD G. BROWN 12-21-88
APPLICATION SPEC	APPD G. BROWN 12-21-88
WEIGHT	PRODUCT SPEC

<b>AMP</b>   AMP INCORPORATED Harrisburg, Pa. 17105	
NAME <b>PIN, .140 MATE-N-LOK™</b>	
SIZE <b>D</b>	FSCM NO 00779
SCALE 5:1	DRAWING NO 770484
	SHEET 1 OF 1

单击下面可查看定价，库存，交付和生命周期等信息

[>>TE Connectivity\(泰科\)](#)