

4

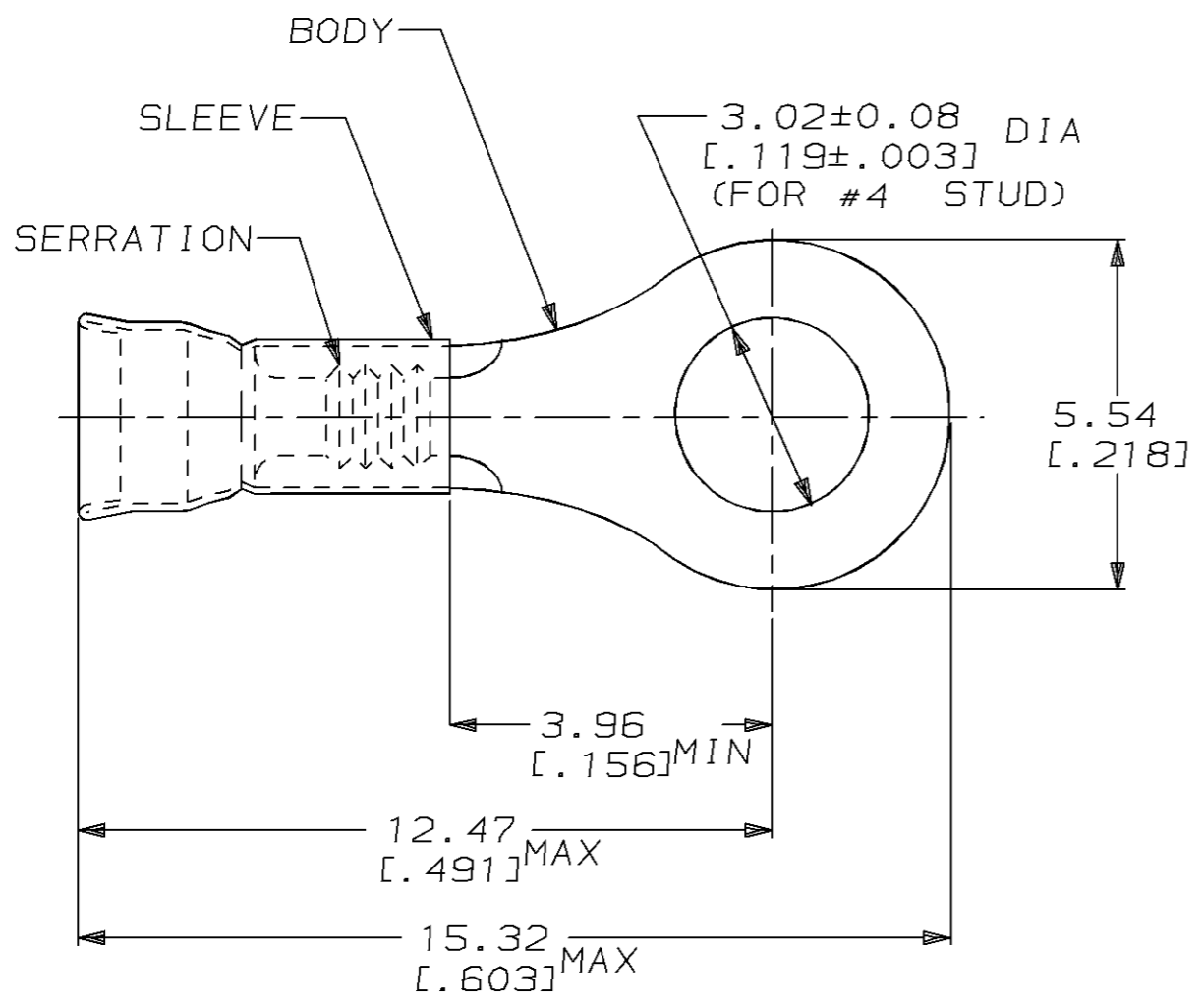
3

2

1

THIS DRAWING IS UNPUBLISHED. RELEASED FOR PUBLICATION, 19 .
 © COPYRIGHT 19 BY AMP INCORPORATED. ALL RIGHTS RESERVED.

| LOC | DIST | REVISIONS | | | |
|-----|------|-------------|--------------------|---------|-------|
| P | LTR | DESCRIPTION | DATE | DWN | APVD |
| G | 14 | A | REV / 0720-0828-95 | 07DEC95 | ME SB |



1. WIRE INSUL DIA, 2.03-3.18 [0.080-.125]
2. TONGUE MATL THK, 0.79±0.05 [0.031±.002]

| QTY | PACKAGE TYPE | PART NO |
|------|---------------|----------|
| 5000 | ON TAPE, REEL | 184206-2 |
| 1000 | LOOSE PIECE | 184206-1 |

| | | | | | | |
|--|--|---|--|--|---|---|
| AMP INCORPORATED CUSTOMER SERVICE SYSTEM | | MAX RECOMMENDED OPERATING TEMPERATURE: 170°C [338°F] | THIS DRAWING IS A CONTROLLED DOCUMENT FOR AMP INCORPORATED. IT IS SUBJECT TO CHANGE AND THE CONTROLLING ENGINEERING ORGANIZATION SHOULD BE CONTACTED FOR THE LATEST REVISION. | | DWN L OLMEDA 23JAN95 | AMP Incorporated Harrisburg, PA 17105-3608 |
| FOR ADDITIONAL PRODUCT INFORMATION OR COPIES OF DRAWINGS AND TECHNICAL DOCUMENTS | PRODUCT INFORMATION CENTER 1-800-522-6752 | | DIMENSIONS: mm [in] | TOLERANCES UNLESS OTHERWISE SPECIFIED: | CHK M ELLIS 23JAN95 | |
| FOR APPLICATION TOOLING INFORMATION | TOOLING ASSISTANCE CENTER 1-800-722-1111 | VOLTAGE RATING: - | 0 PLC ±- 1 PLC ±- 2 PLC ±0.20 [0.008] 3 PLC ±- 4 PLC ±- ANGLES ±- | APVD S BORTNER 23JAN95 | NAME TERMINAL, RING, DIAMOND GRIP™, WIRE SIZE, 22-16 AWG | |
| FOR ORDER ENTRY | 1-800-526-5142 | CIRCULAR MIL AREA: 0.26mm²-1.65mm² [509-3260] | MATERIAL BODY, CU, SLV, CU PER ASTM B152 | FINISH TIN PLATE PER MIL-T-10727 | PRODUCT SPEC UL486A | SIZE A3 |
| | | | CUSTOMER DRAWING | | APPLICATION SPEC - | CAGE CODE 00779 |
| | | | | | WEIGHT - | DRAWING NO C-184206 |
| | | | | | SCALE 8:1 SHEET 1 OF 1 REV A | |

单击下面可查看定价，库存，交付和生命周期等信息

[>>TE Connectivity\(泰科\)](#)