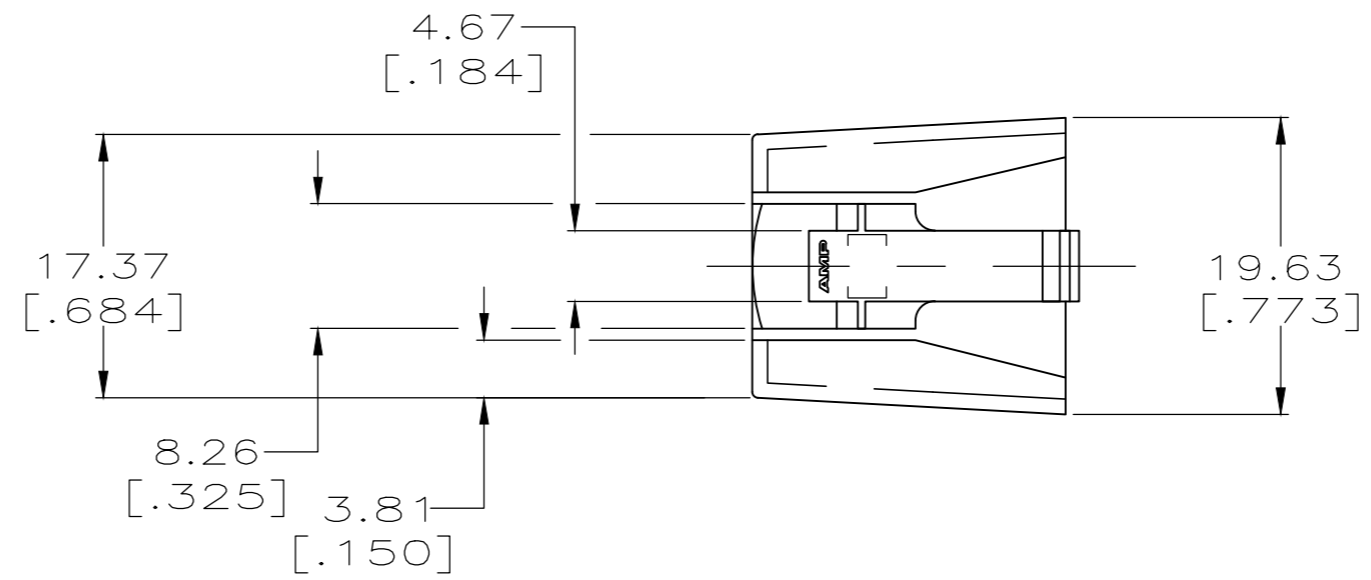
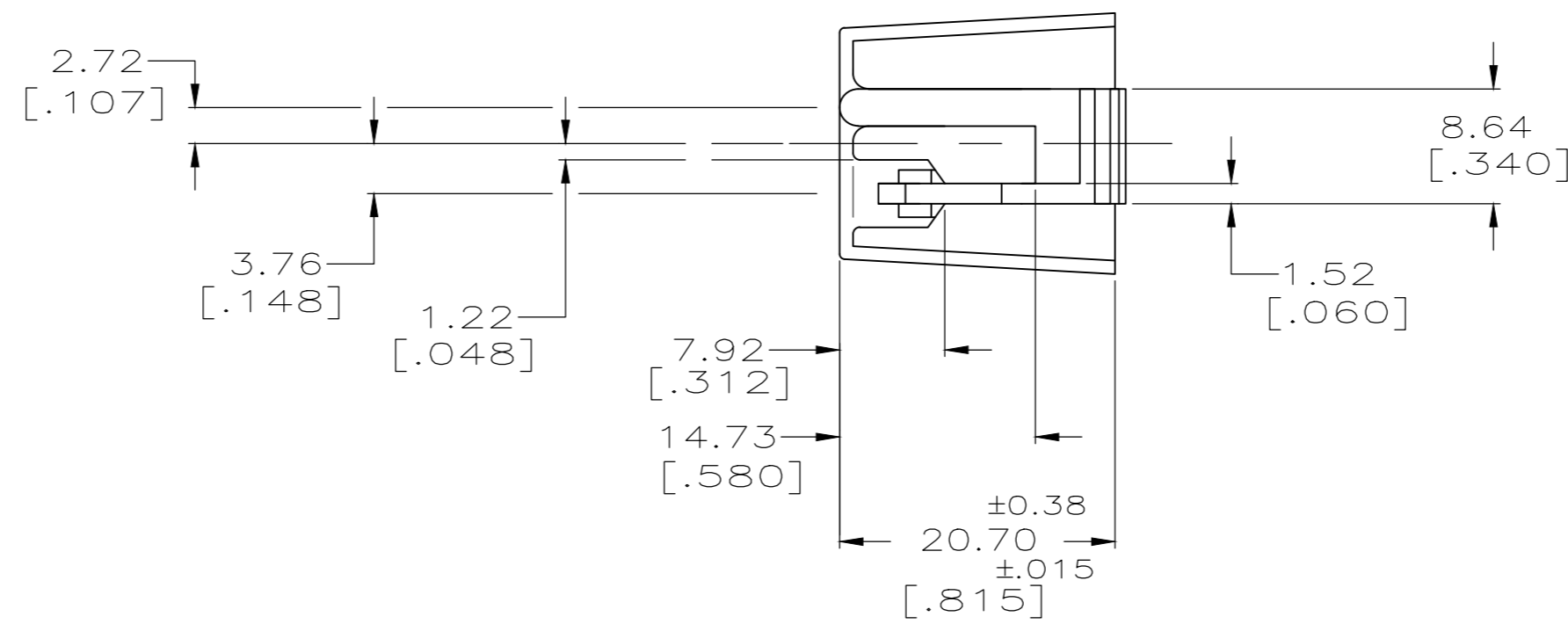
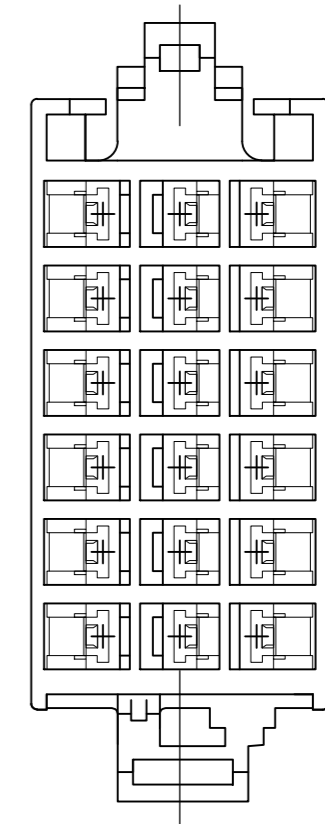
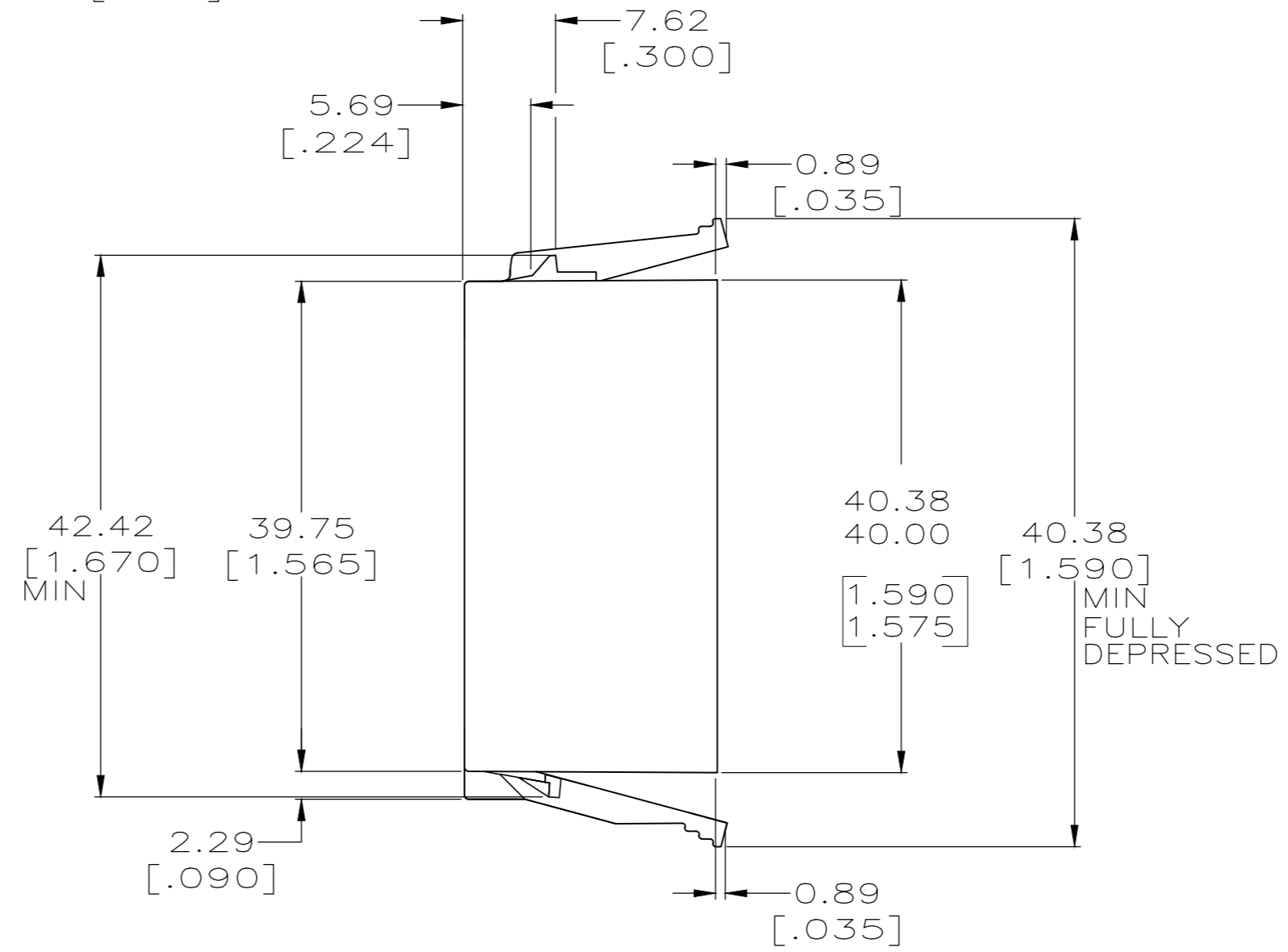
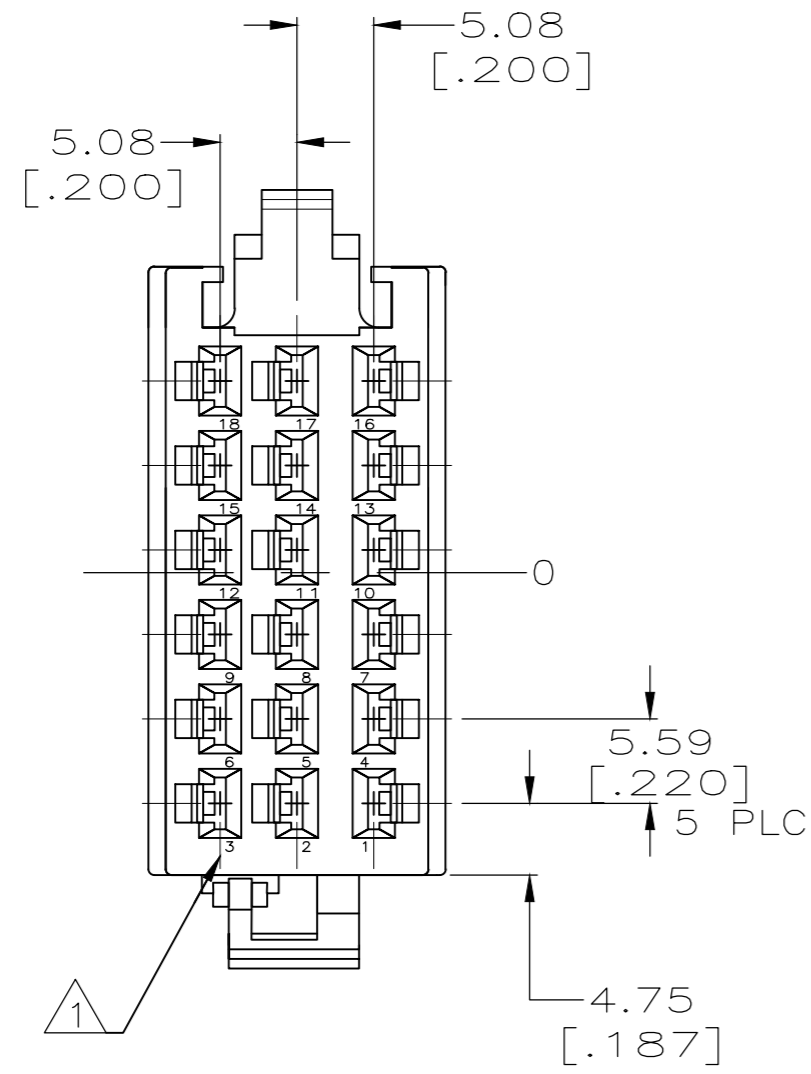


THIS DRAWING IS UNPUBLISHED. RELEASED FOR PUBLICATION
 © COPYRIGHT - TE Connectivity Ltd. ALL RIGHTS RESERVED.

REVISIONS				
P	LTR	DESCRIPTION	DATE	APVD
U2		REVISED PER ECR-18-008168	09JUL18	MD TD



- 1 CIRCUIT IDENTIFICATION.
- 2 MATERIAL: 6/6 NYLON, COLOR NATURAL
- 3 MATERIAL: 6/66 NYLON, COLOR WHITE



OBSOLETE	3	770200-2
	2	770200-1
PART NUMBER		

THIS DRAWING IS A CONTROLLED DOCUMENT.		DWN M.S. FEHER 10NOV2000	TE Connectivity Ltd.			
DIMENSIONS: mm [INCHES]		CHK J.R. RUTH 10NOV2000				
TOLERANCES UNLESS OTHERWISE SPECIFIED:		APVD DON DECKER 10NOV2000	NAME HOUSING, LEFT HAND, 18 CIRCUIT, TIMER CONNECTOR			
0 PLC ± - 1 PLC ± - 2 PLC ± 0.25 [.010] 3 PLC ± - 4 PLC ± - ANGLES ± - FINISH SEE NOTES		PRODUCT SPEC APPLICATION SPEC	SIZE A2	CAGE CODE 00779	DRAWING NO C=770200	RESTRICTED TO -
MATERIAL SEE NOTES		WEIGHT 0,000000	SCALE 2:1	SHEET 1 of 1	REV U2	
		CUSTOMER DRAWING				

单击下面可查看定价，库存，交付和生命周期等信息

[>>TE Connectivity\(泰科\)](#)