

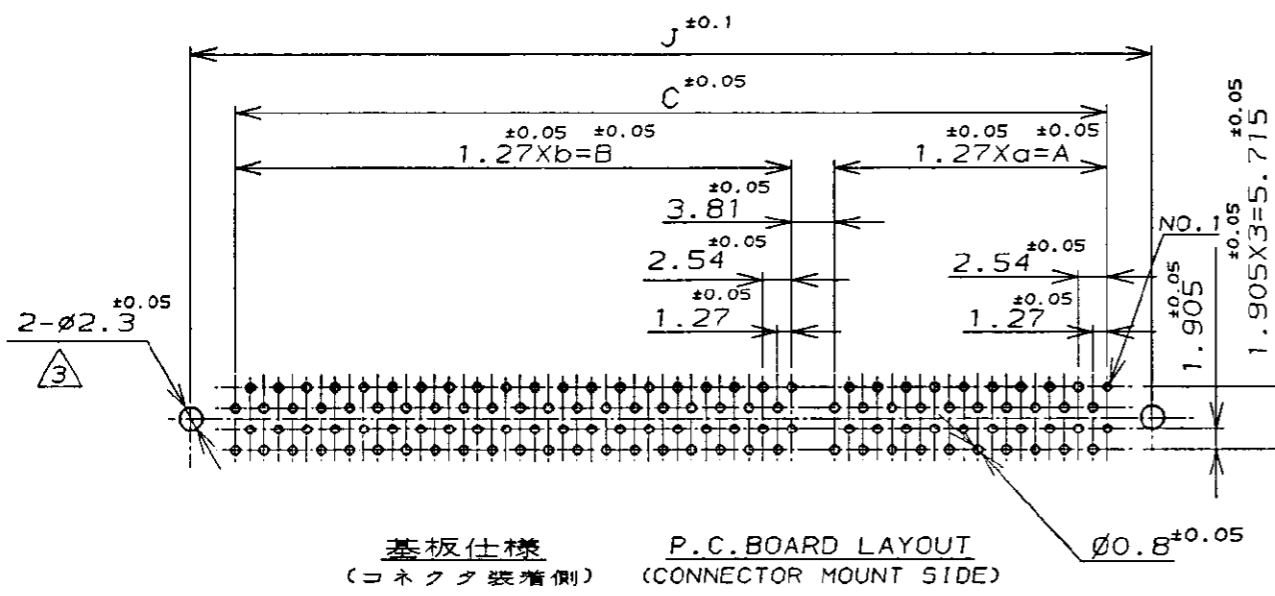
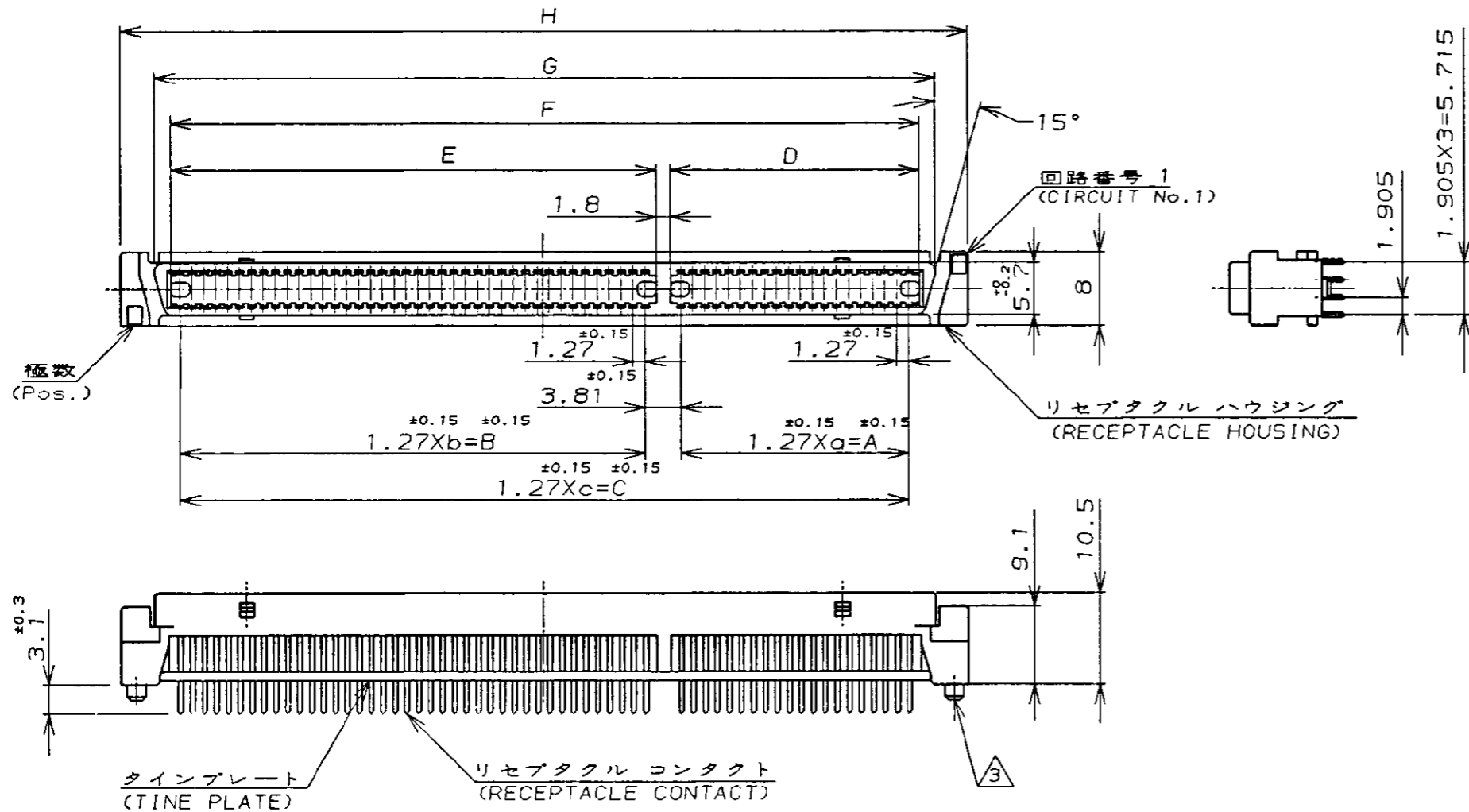
NUMBER C-5176373

3rd ANGLE PROJECTION

METRIC

DIMENSIONS IN MILLIMETERS. DO NOT SCALE PRINT

PRINT DIST



THK OF GOLD	Pos.	a	A	b	B	c	C	D	E	F	G	H	J	P/N
0.76μm	100	—	—	—	—	49	62.23	—	—	64.23	67.32	74.85	72.2	2- ↑ -4
	180	39	49.53	49	62.23	—	115.57	51.53	64.23	117.57	120.66	128.19	125.54	④ ③ 8
	160	29	36.83	49	62.23	—	102.87	38.83	64.23	104.87	107.96	115.49	112.84	④ ③ 7
	140	29	36.83	39	49.53	—	90.17	38.83	51.53	92.17	95.26	102.79	100.14	④ ③ 6
	120	19	24.13	39	49.53	—	77.47	26.13	51.53	79.47	82.56	90.09	87.44	④ ③ 5
0.3μm	100	—	—	—	—	49	62.23	—	—	64.23	67.32	74.85	72.2	— -4
	80	—	—	—	—	39	49.53	—	—	51.53	54.62	62.15	59.5	④ ③ 3
	60	—	—	—	—	29	36.83	—	—	38.83	41.92	49.45	46.8	— -2
	40	—	—	—	—	19	24.13	—	—	26.13	29.22	36.75	34.1	④ ③ 5176373-1

- NOTE:
- ① MATERIAL:HOUSING, TINE PLATE:THERMOPLASTICS (UL 94V-0) BLACK
CONTACT:COPPER ALLOY
RETENTION LEG:COPPER ALLOY
 - ② FINISH:CONTACT:Au AT CONTACT AREA
TIN AT TINE, OVER Ni
RETENTION LEG:TIN, OVER Ni
 - ③ BOSS FOR POSITIONING:P/N -1,-2,-3,-4
 - ④ OBSOLETE

- 注記:
- ① 材料:ハウジング、タインプレート:熱可塑性樹脂 (UL 94V-0) 色:黒
コンタクト:銅合金
リテンションレグ:銅合金
 - ② 表面仕上げ;
コンタクト:全面ニッケル下地めっき
接触部金めっき、脚部すずめっき
リテンションレグ:ニッケル下地めっきにすずめっき
 - ③ ボスは型番 -1,-2,-3,-4 のみ

鉛フリー
LEAD FREE

TE TE Connectivity					
WIRE RANGE		INSULATION DIA		NAME	
mm ² (AWG -)		mmφ		AMP FH CONNECTOR RECEPTACLE (VERTICAL) FOR 13mm STACKING	
MATERIAL		FINISH		GENERAL TOLERANCE	
①		②		0 <= < 10 : ±0.2 10 <= < 30 : ±0.25 30 <= < 100 : ±0.3 ANGLES : ±3°	
A ECR-12-013273		26MAR2013		SIZE LOC NUMBER	
O RELEASED (FJ80-0582-04)		09JUN04		A3 J C-5176373	
LTR DESCRIPTION		DATE DWN APVD		SCALE NTS	
				REV. A SHEET 1 OF 1	
CHK. IENOMOTO		APP. IENOMOTO		DE. T.KAWAMAE	
09JUN04		09JUN04		09JUN04	

CUSTOMER DRAWING

单击下面可查看定价，库存，交付和生命周期等信息

[>>TE Connectivity\(泰科\)](#)