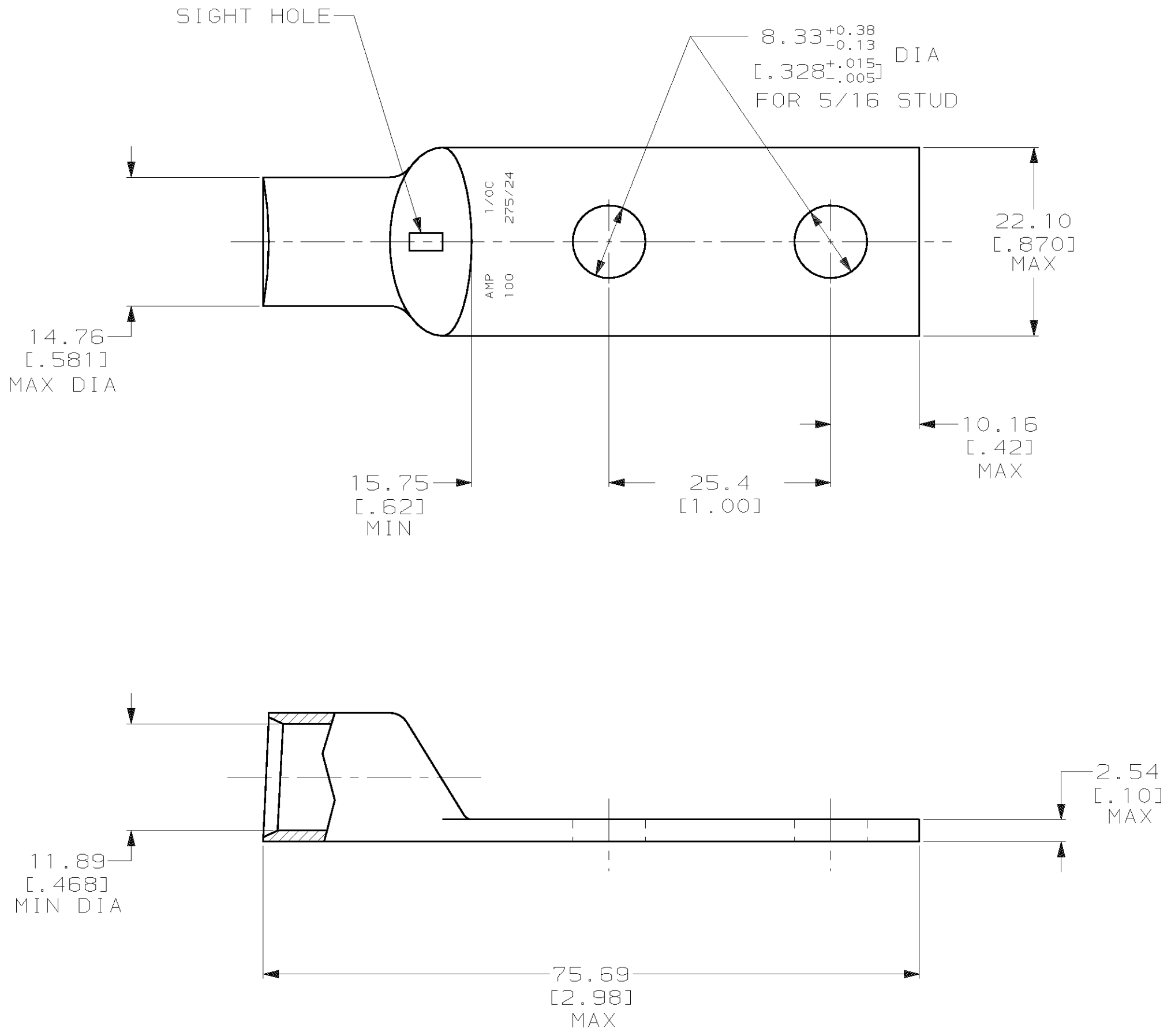


THIS DRAWING IS UNPUBLISHED. RELEASED FOR PUBLICATION, 19 .
 © COPYRIGHT 19 BY AMP INCORPORATED. ALL INTERNATIONAL RIGHTS RESERVED.

LOC		DIST		P		F		ZONE		LTR		REVISIONS			
G		86										DESCRIPTION	DATE	APPD	
												E	REV PER 0G3A-0561-01	09OCT02	JR/MS



- 1 CIRCULAR MIL RANGE: 83,700-119,500 CM
- 2 NICKEL PL 0.00254 [.000100] MIN THK PER QQ-N-290

328169

328169
PART NO

DO NOT SCALE PRINT. UNLESS SPECIFIED DIMENSIONS IN mm [INCHES] TOLERANCES ON : 2 PLC DEC ± 0.51 [.020] 3 PLC DEC ± - ANGLES ± -		DR 03/09/90 DK SCHRUM		AMP INCORPORATED Harrisburg, Pa. 17105	
MATERIAL ANNEALED COPPER ASTM B-75		CHK 31AUG94 MS FEHER			
FINISH △		APPD 31AUG94 WJ VOCKROTH		NAME TERMINAL, AMPPOWER™ WIRE SIZE: 1/0 AWG	
		APPD 31AUG94 TL SHUTTER		DRAWING NO 328169	
		PRODUCT SPEC -		CAGE CODE 00779	
		APPLICATION SPEC -		SCALE 2:1	
		WEIGHT .062 LB		SHEET 1 OF 1	



单击下面可查看定价，库存，交付和生命周期等信息

[>>TE Connectivity\(泰科\)](#)