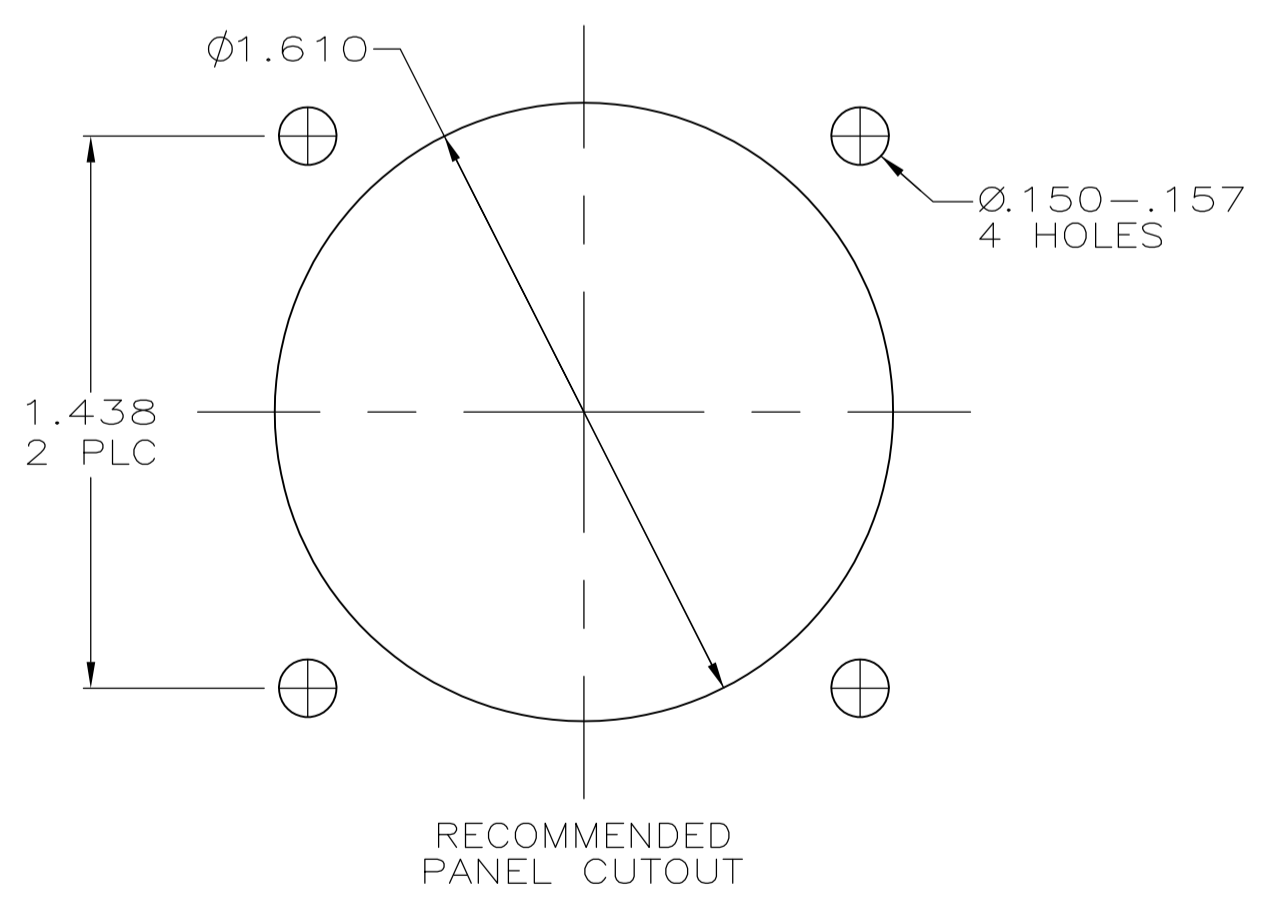
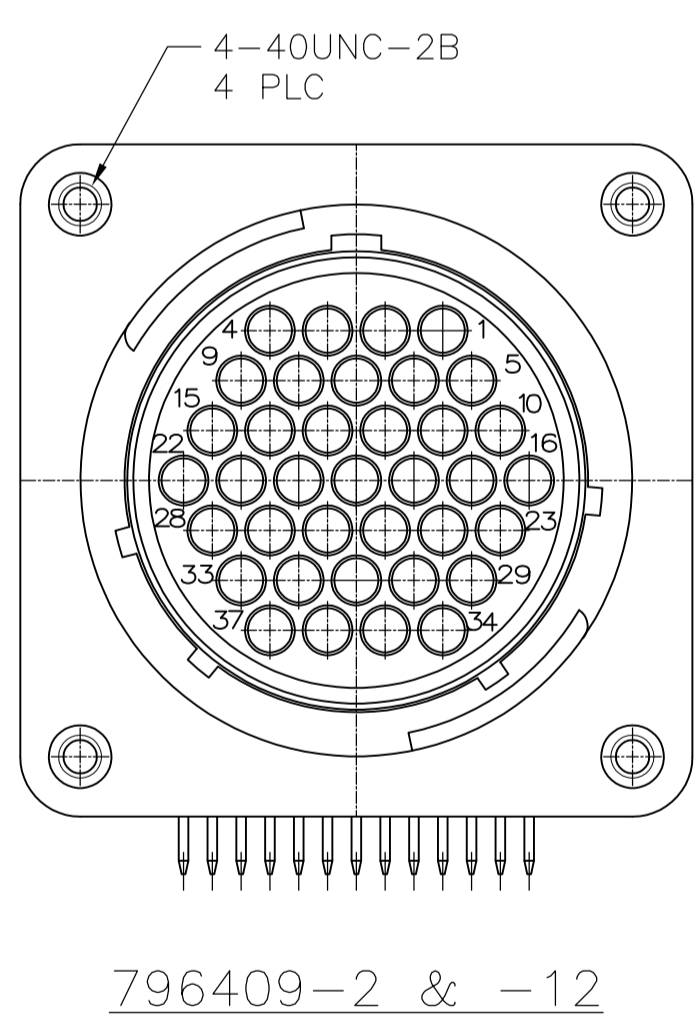
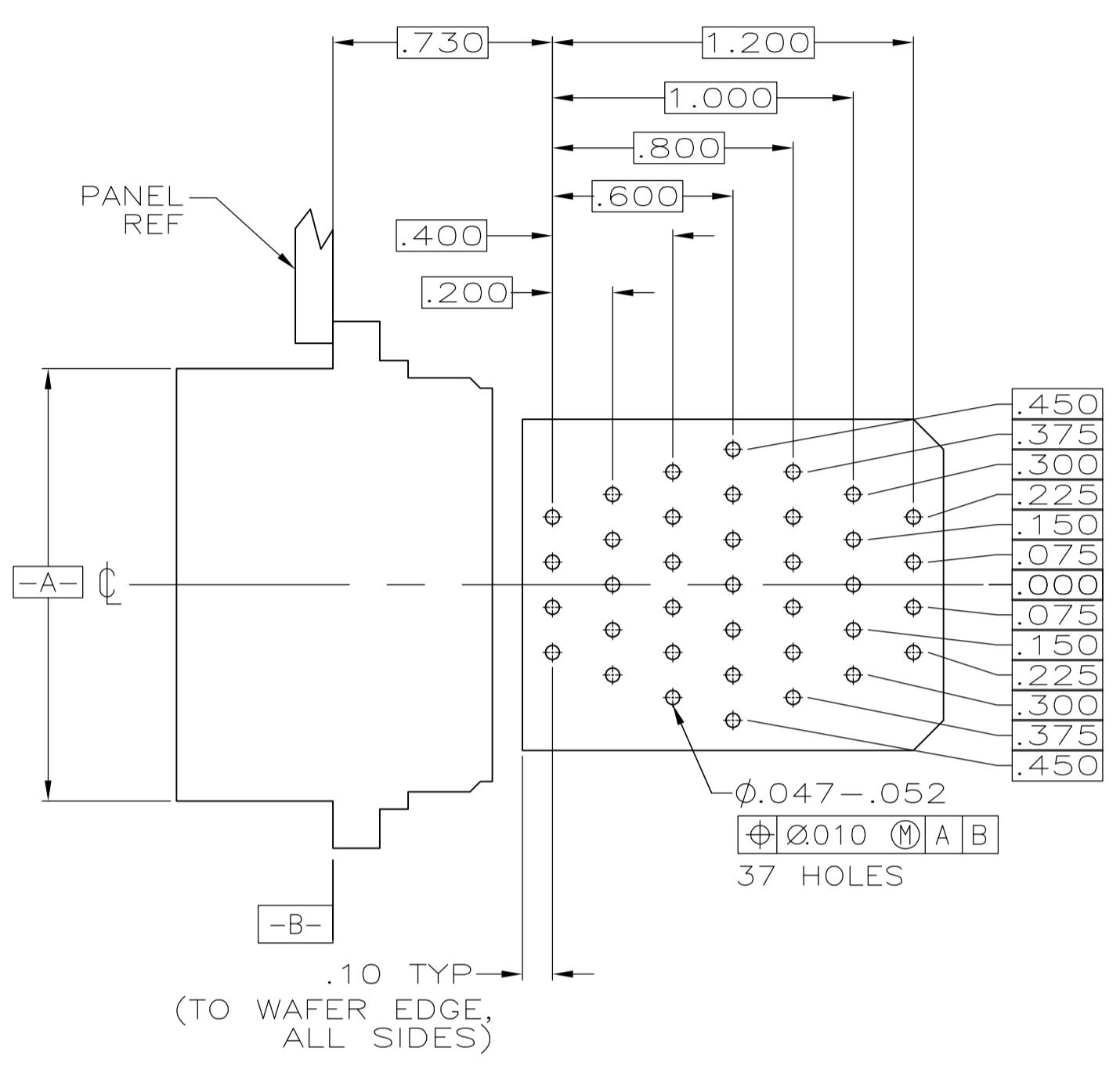
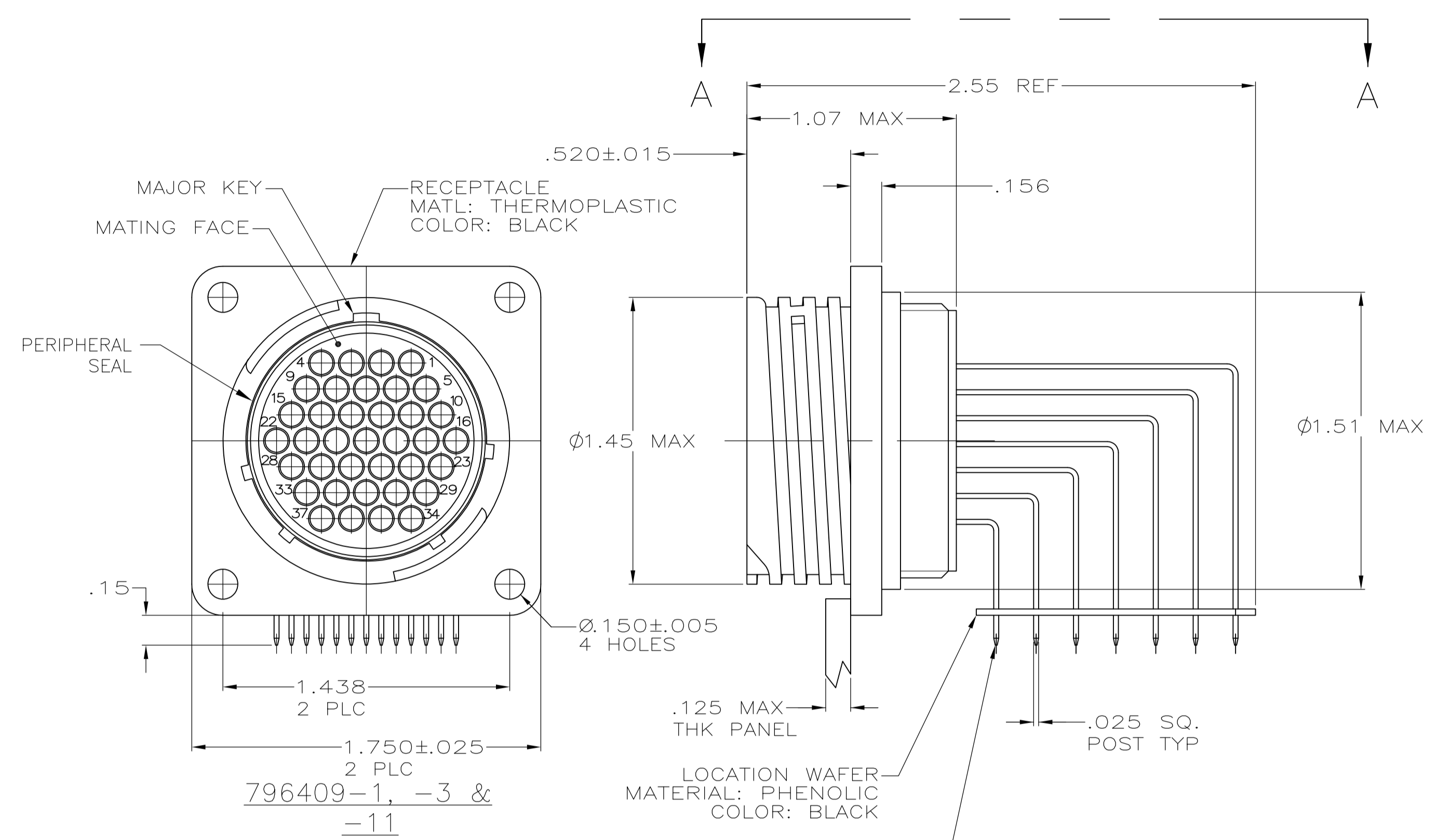


| REVISIONS | | | | | |
|-----------|-----|---------------------------|-----------|-----|------|
| P | LTR | DESCRIPTION | DATE | DWN | APVD |
| F1 | | REVISED PER ECO-16-004800 | 10SEP2016 | NK | MZ |
| G | | REVISED PER ECR-16-016548 | 27FEB2017 | RS | MZ |



- CONTACT CAVITIES IDENTIFIED BY CHARACTERS ON FRONT AND REAR FACES OF CONNECTOR.
- #6 FASTENER RECOMMENDED FOR MOUNTING.
- CONTACT BODY: .000030 MIN GOLD FOR A LENGTH OF .200 MIN FROM MATING END, WITH REMAINDER TO BE GOLD FLASH, BOTH OVER .000050 MIN NICKEL.
CONTACT POST: .000100 MIN TIN-LEAD OVER .000100 MIN COPPER.
- PC BOARD HOLE PATTERN IS DEFINED RELATIVE TO CONNECTOR C.L. AND PANEL MOUNTING FACE INDICATED.
- CONTACT BODY: .000030 MIN GOLD FOR A LENGTH OF .200 MIN FROM MATING END, WITH REMAINDER TO BE GOLD FLASH, BOTH OVER .000050 MIN NICKEL.
CONTACT POST: .000100 MIN TIN OVER .000100 MIN COPPER.

| OBSOLETE | NO | YES | NO | YES | PART NUMBER |
|----------|----|-----|----|-----|--------------|
| | | | | | -1-796409-2- |
| | | | | | 1-796409-1 |
| | | | | | -796409-3- |
| | | | | | -796409-2- |
| | | | | | -796409-1- |

THIS DRAWING IS A CONTROLLED DOCUMENT.

DIMENSIONS: INCHES

TOLERANCES UNLESS OTHERWISE SPECIFIED:

| | |
|--------|--------|
| 0 PLC | ± .005 |
| 1 PLC | ± .003 |
| 2 PLC | ± .003 |
| 3 PLC | ± .010 |
| 4 PLC | ± .010 |
| ANGLES | ± .010 |

MATERIAL: - FINISH: -

APPROVED: M. CHACKO 3-27-00

NAME: RECEPTACLE ASSY, POSTED, RT ANGLE, RVS SEX, SIZE 23-37, SERIES 1, CPC

SIZE: A1 CAGE CODE: 00779 DRAWING NO: 796409

WEIGHT: -

CUSTOMER DRAWING SCALE: 2:1 SHEET: 1 OF 1 REV: G

STE TE Connectivity

单击下面可查看定价，库存，交付和生命周期等信息

[>>TE Connectivity\(泰科\)](#)