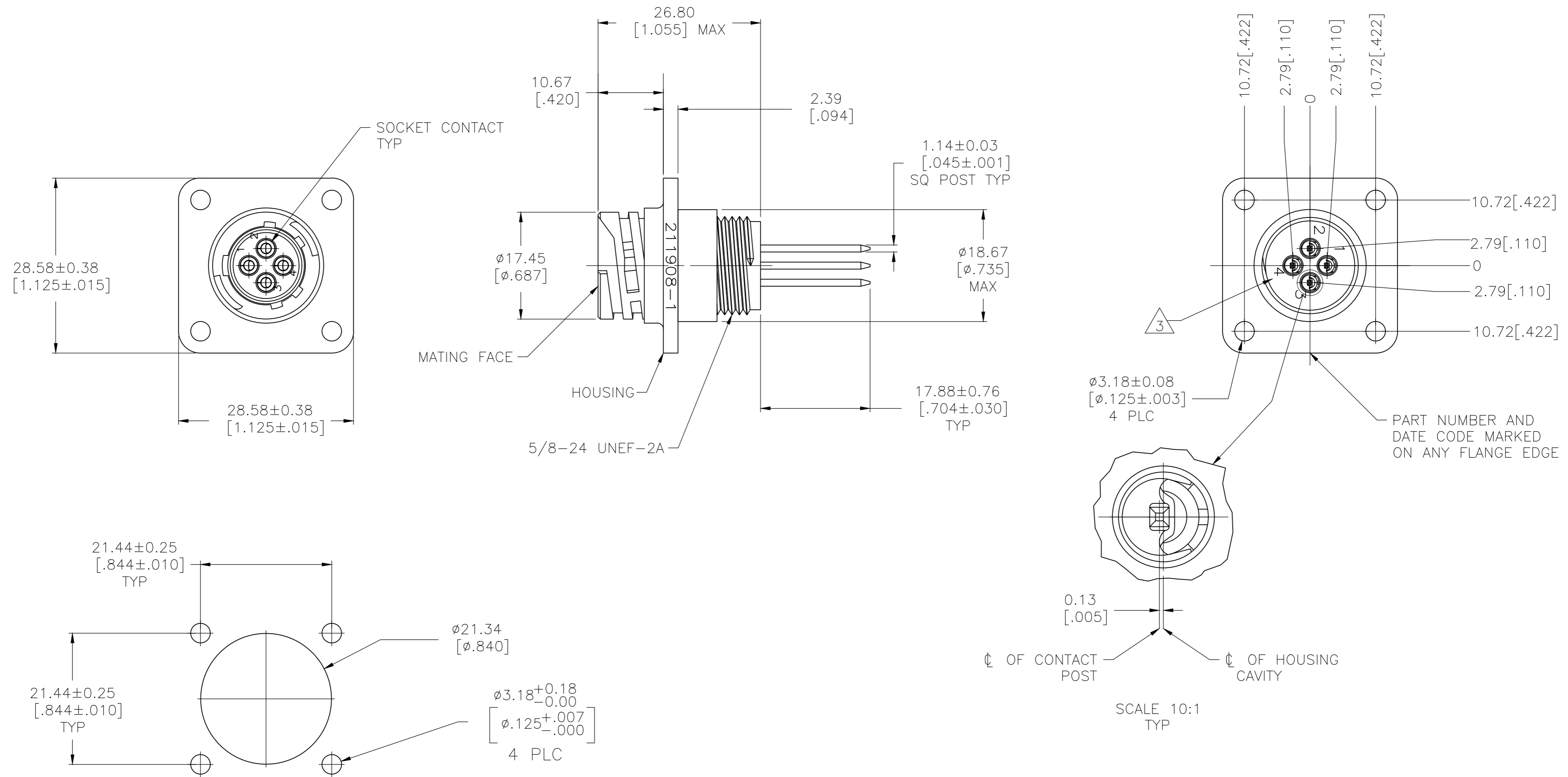


REVISIONS					
P	LTR	DESCRIPTION	DATE	DWN	APVD
C		REVISED PER ECO-20-008708	16JUL2020	RK	MZ



RECOMMENDED PANEL CUTOUT

- 1 HOUSING: POLYESTER, GRAY.
SOCKET CONTACT & POST: BRASS.
SPRING: STAINLESS STEEL.
- 2 SOCKET CONTACT & POST: 2.54 μ m[.000100] MIN TIN-LEAD OVER 1.27 μ m[.000050] MIN NICKEL.
- 3 CAVITY IDENTIFICATION ON FRONT AND REAR FACE.
- 4 RECOMMENDED PC BOARD HOLE SIZE FOR CONTACT POST = 1.80 ± .10 (.071 ± .004) DIA.
- 5 SOCKET CONTACT & POST: 2.54 μ m[.000100] MIN TIN OVER 1.27 μ m[.000050] MIN NICKEL.

5	1-788130-1
2	788130-1
CONTACT FINISH	PART NUMBER

THIS DRAWING IS A CONTROLLED DOCUMENT.		DWN D.HARDY 16 MAY 97	TE Connectivity	
DIMENSIONS: mm [INCHES]		CHK R.STONE 19 MAY 97	RECEPTACLE ASSEMBLY, POSTED, 11-4, REVERSE SEX, CIRCULAR PLASTIC CONNECTOR	
TOLERANCES UNLESS OTHERWISE SPECIFIED:		APVD K.DOWHWOWER 19 MAY 97	NAME	
0 PLC ± -		PRODUCT SPEC	108-10024	
1 PLC ± -		APPLICATION SPEC	114-10038	
2 PLC ± 0.13 [.005]		WEIGHT	-	
3 PLC ± -		MATERIAL	1	
4 PLC ± -		FINISH	-	
ANGLES ± -		CUSTOMER DRAWING	SCALE 2:1 SHEET 1 of 1 REV C	

单击下面可查看定价，库存，交付和生命周期等信息

[>>TE Connectivity\(泰科\)](#)