

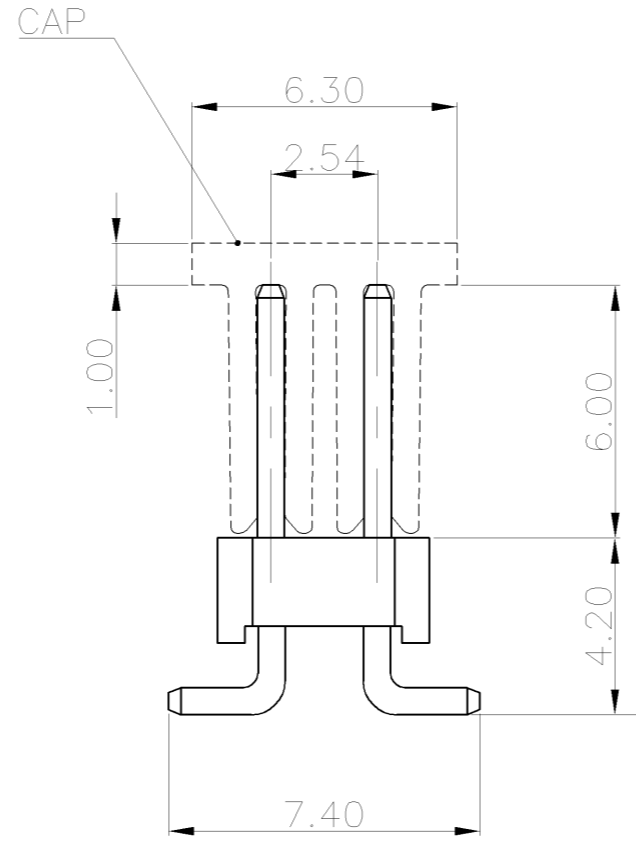
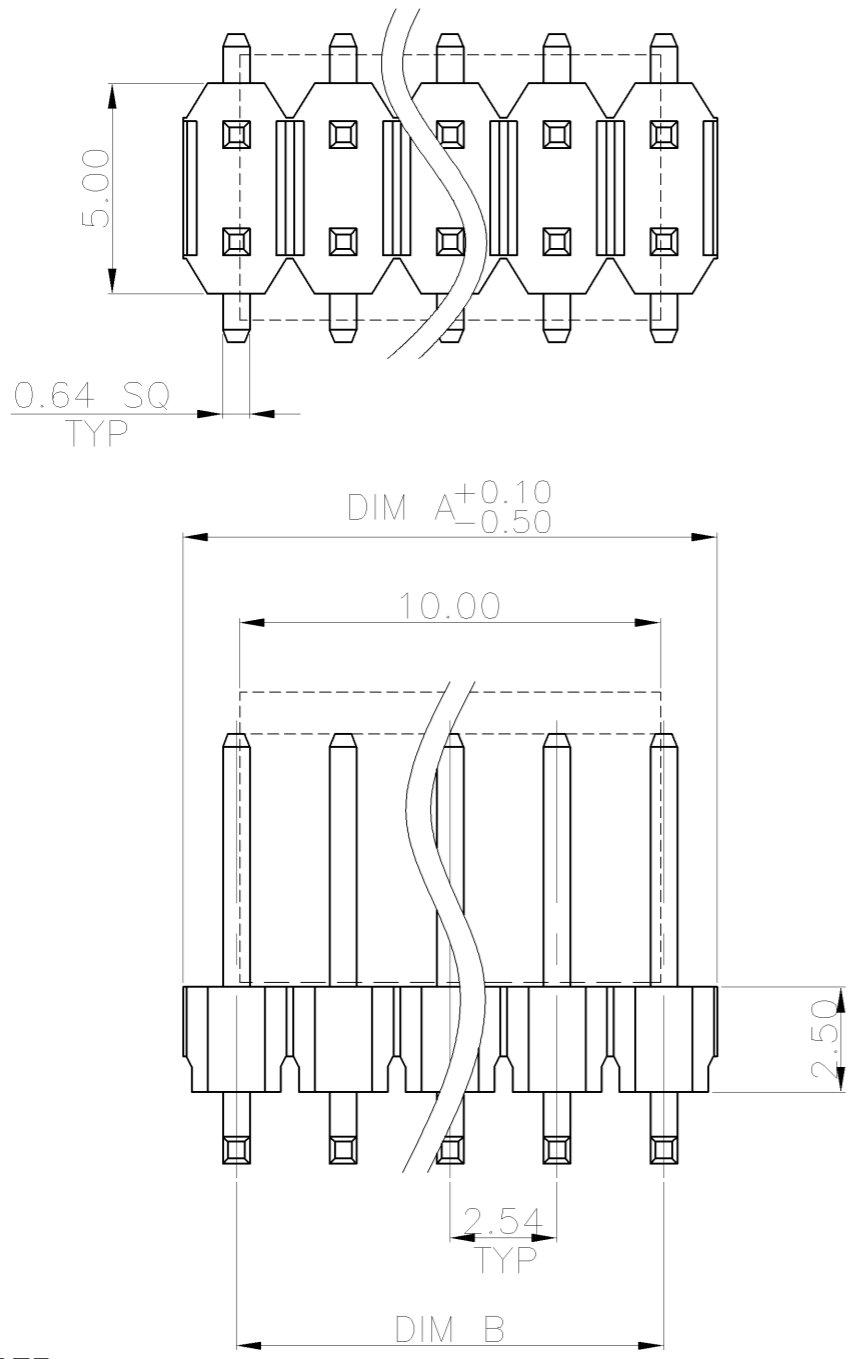
THIS INFORMATION IS CONFIDENTIAL AND IS DISCLOSED TO YOU ON CONDITION THAT NO FURTHER DISCLOSURE IS MADE BY YOU TO OTHER THAN AMP PERSONNEL WITHOUT WRITTEN AUTHORIZATION FROM AMP (TAIWAN) LTD. DIMENSIONS IN MILLIMETERS. DO NOT SCALE PRINT.

NUMBER
C-1775448

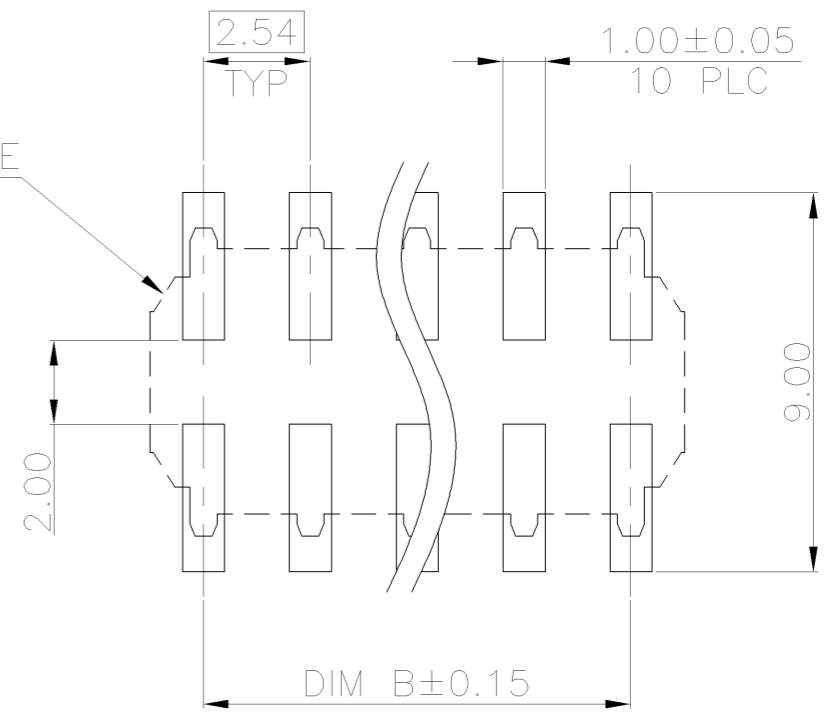
3RD ANGLE PROJECTION

METRIC

PRINT DIST
DW



CONNECTOR OUTLINE



RECOMMENDED P.C.B LAYOUT

0.10
ALL SOLDER AREAS

NOTE:

- MATERIAL:
HOUSING: NYLON 6T WITH 33% GF, UL 94V-0, BLACK COLOR.
CAP: NYLON 6T WITH 40% GF, UL 94V-0, BLACK COLOR.
POSTS: BRASS.
- FINISH:
POSTS: GOLD FLASH OVER 1.27μm [50μ"] MIN. NICKEL ON ENTIRE POST.
- REFLOW SOLDER CAPABLE TO 260°C AS PER TYCO SPEC. 109-201, CONDITION B.
- NO TYCO LOGO AND DATE CODE ON THE PRODUCT.

1.13	15.24	17.78	14	1775448-2
0.94	10.16	12.70	10	1775448-1
WEIGHT (GRAMS)	B	A	NO. OF POSITIONS	PART NUMBER
DIMENSIONS				

TOLERANCES UNLESS OTHERWISE SPECIFIED: 0 PLC ±- 1 PLC ±0.3 2 PLC ±0.25 3 PLC ±0.2 ANGLES ±3°		DWN FRANK FAN 27DEC2019	tyco TYCO HOLDINGS (BERMUDA) Electronics VII LTD. TAIWAN BRANCH	
MATERIAL SEE NOTE		CHK GEORGE FU 27DEC2019	NAME MING SHI 27DEC2019	
FINISH SEE NOTE		APVD MING SHI 27DEC2019	PRODUCT SPEC 108-57576	
		QUALIFICATION TEST REPORT 501-57667	LOC DW	SIZE A ₃
		WEIGHT SEE TABLE	DRAWING NO C-1775448	REV B
			SCALE --	SHEET 1 OF 2

B	ECR-19-013645	--	FF	MS	27DEC 2019
A	FIRST RELEASED	--	AW	SH	19JUN 2006
LTR	REVISION RECORD	ECN	DWN	CHK	DATE

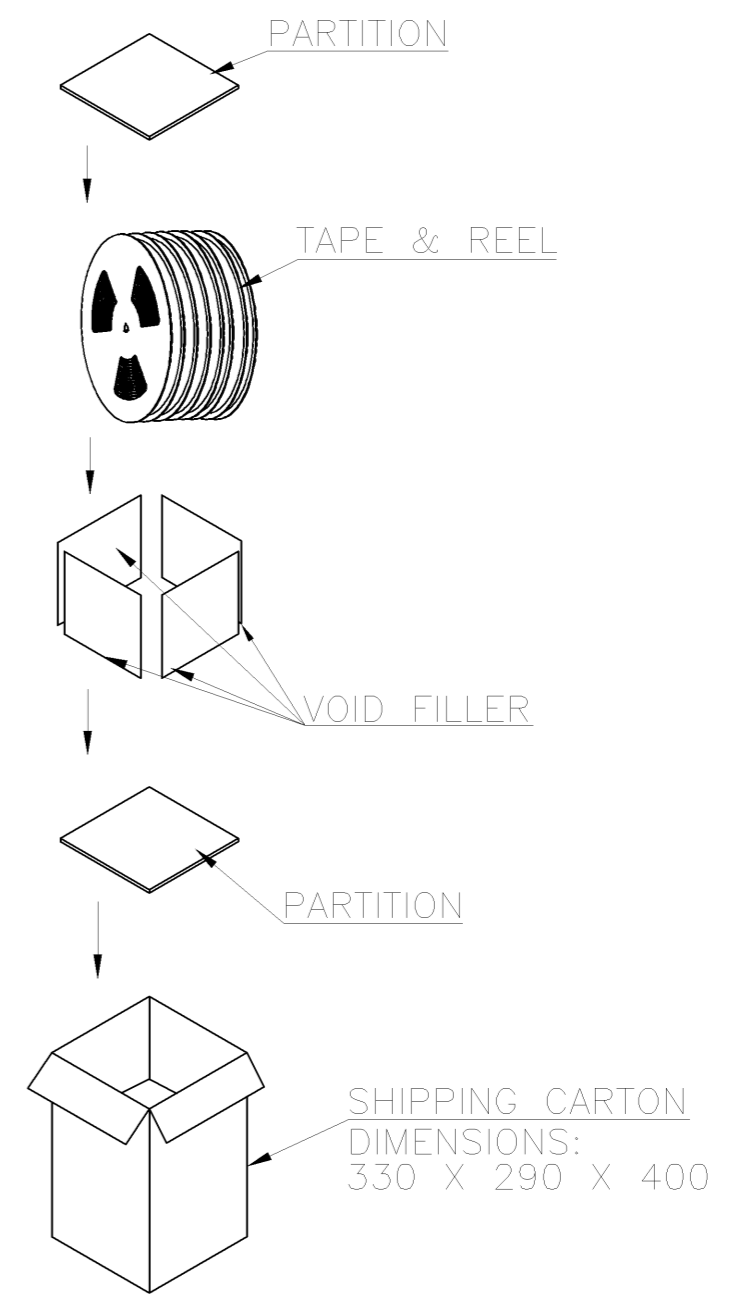
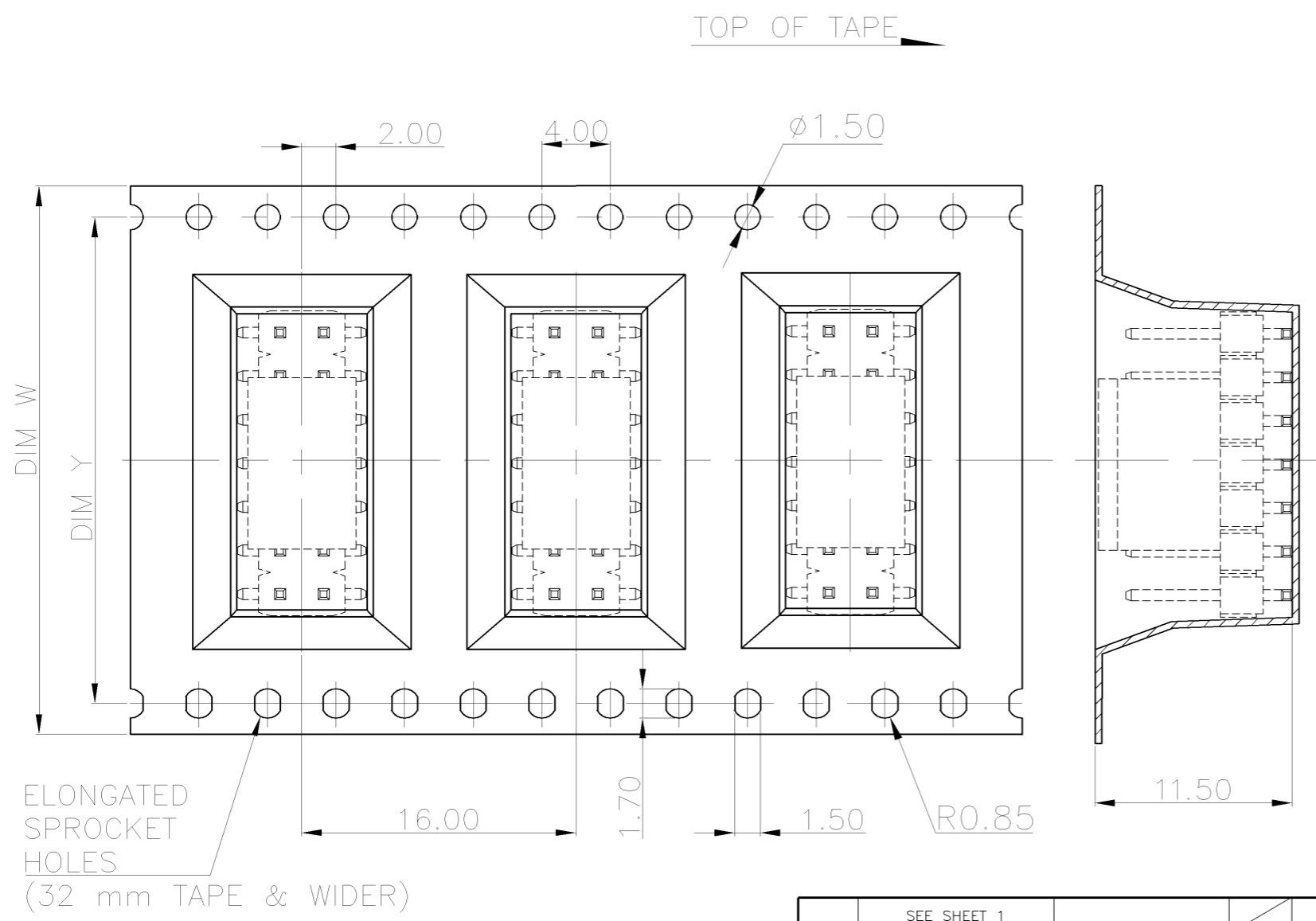
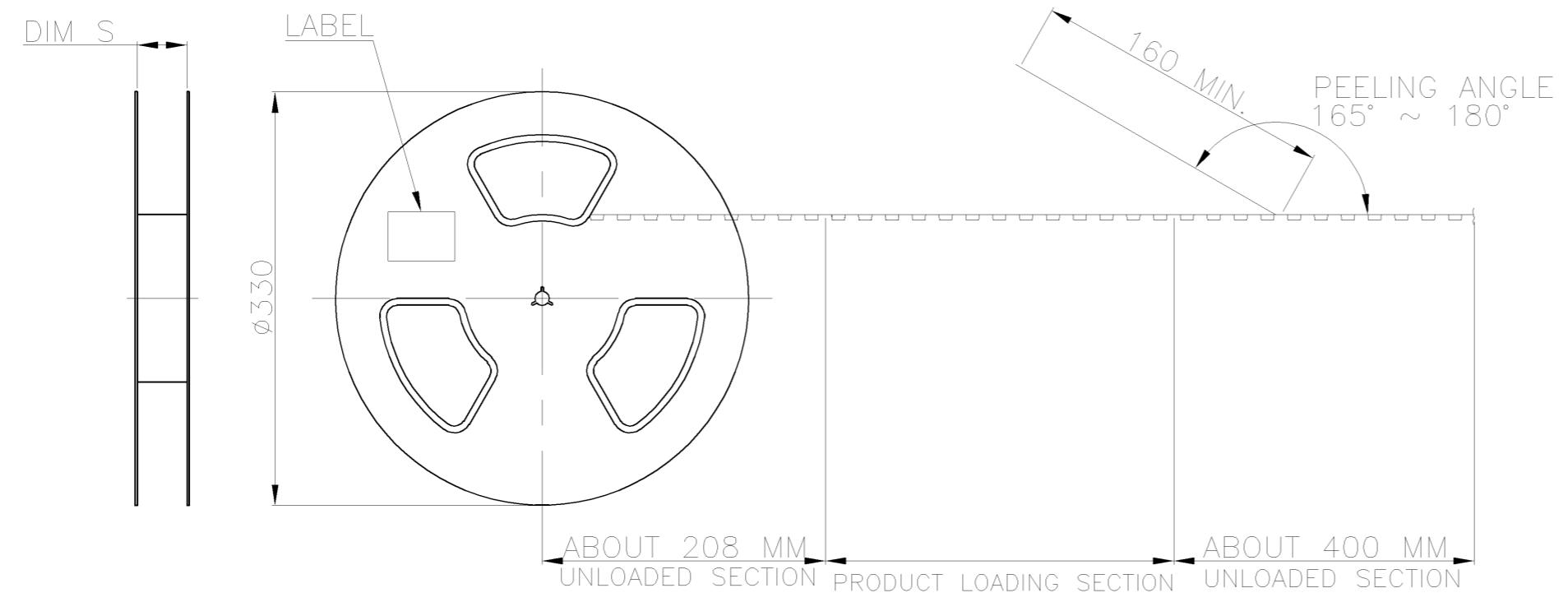
NUMBER
C-1775448

3RD ANGLE PROJECTION

METRIC

THIS INFORMATION IS CONFIDENTIAL AND IS DISCLOSED TO YOU ON CONDITION THAT NO FURTHER DISCLOSURE IS MADE BY YOU TO OTHER THAN AMP PERSONNEL WITHOUT WRITTEN AUTHORIZATION FROM AMP (TAIWAN) LTD. DIMENSIONS IN MILLIMETERS. DO NOT SCALE PRINT.

PRINT
DW



2100	300	7	5.38	1.53	32.4	28.4	32	14
2100	300	7	4.98	1.13	24.5	N/A	24	10
QUANTITY	PCS/TAPE	REELS/CARTON	G/W (KGS)	N/W (KGS)	DIM S	DIM Y	DIM W	NO. OF POSITIONS

TOLERANCES UNLESS OTHERWISE SPECIFIED: 0 PLC ±- 1 PLC ±- 2 PLC ±- 3 PLC ±- ANGLES ±-		DWN FRANK FAN 27DEC2019	tyco TYCO HOLDINGS (BERMUDA) VII LTD. TAIWAN BRANCH	
MATERIAL	APVD	CHK GEORGE FU 27DEC2019	NAME	
FINISH	PRODUCT SPEC	MING SHI 27DEC2019		
	QUALIFICATION TEST REPORT	PIN HEADER, PITCH 2.54mm, VERTICAL, SMT TYPE.		
	WEIGHT	LOC DW	SIZE A ₃	DRAWING NO C-1775448
		SCALE	REV B	
		SHEET		2 OF 2

SEE SHEET 1	ECN	DWN CHK	DATE
LTR	REVISION RECORD		

单击下面可查看定价，库存，交付和生命周期等信息

[>>TE Connectivity\(泰科\)](#)