

THIS DRAWING IS UNPUBLISHED.

RELEASED FOR PUBLICATION

ALL RIGHTS RESERVED.

© COPYRIGHT 2003 By -

LOC J

DIST -

REVISIONS

変更

DESCRIPTION

DATE

DWN

APVD

P

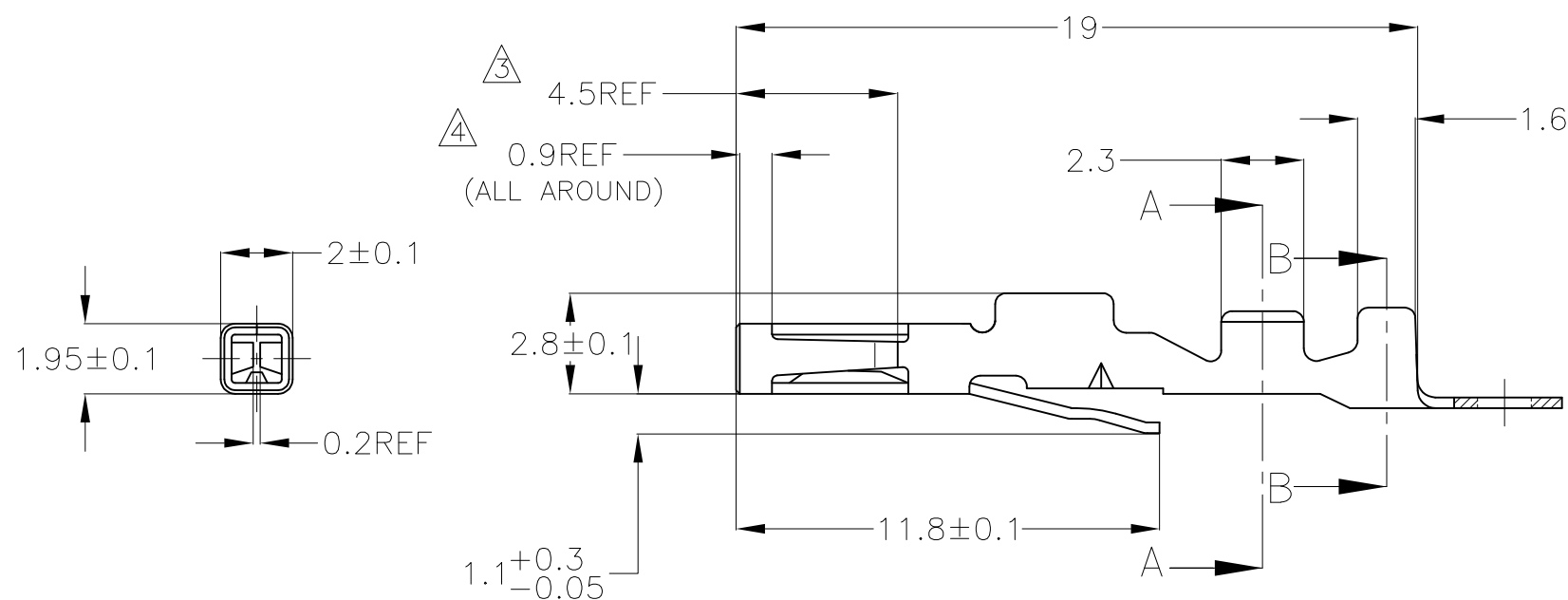
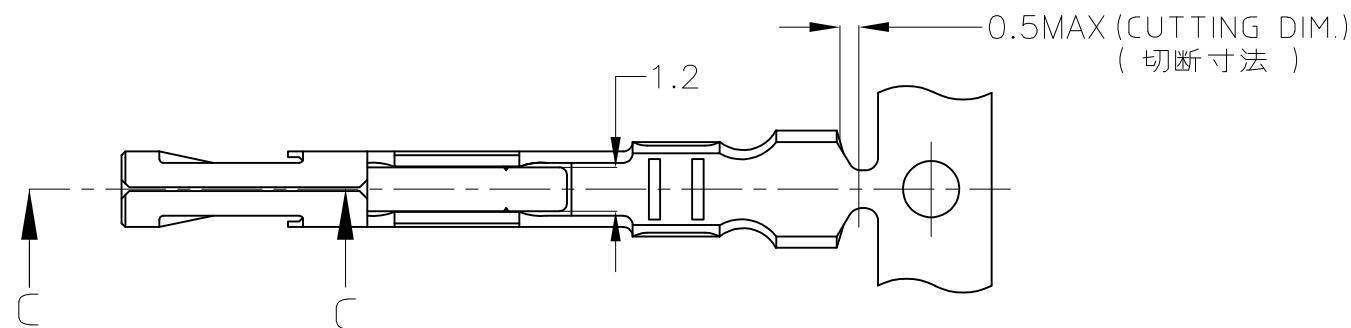
LTR

H2 REVISED PER ECO-11-005140

28MAR11

RK

HMR

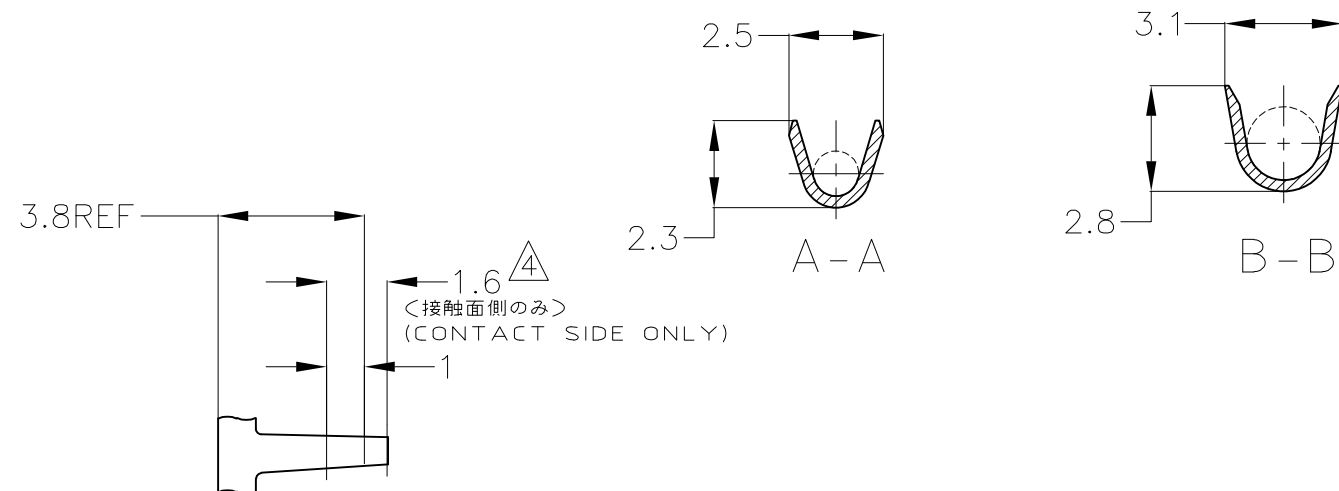


注:

- 1 使用ハウジング型番 172021,172047 他
- 2 製品規格: 108-5124
- ③ 全面ニッケルめっきの上に4.5mmの部分に0.38μm以上の金めっき
- ④ 全面ニッケルめっきの上に接触バネ内側 1.6mmの部分に0.38μm以上の金めっき コンタクト先端 0.9mmのところ金フラッシュめっき
- ⑤ 1-170291-1の逆巻きリール

NOTES:

- 1 MATALE HOUSING: 172021,172047 AND OTHERS
- 2 PRODUCT SPECIFICATION: 108-5124
- ③ 0.38μm MIN. SELECTIVE GOLD PLATING IN 4.5mm LENGTH OVER NICKEL PLATING
- ④ 0.38μm MIN. SELECTIVE GOLD IN 1.6mm LENGTH (INSIDE OF LEAF) OVER NICKEL PLATING, GOLD FLASH PLATING IN TIP OF CONTACT 0.9mm LENGTH
- ⑤ REVERSE REEL OF 1-170291-1

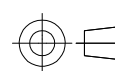


型番 (NUMBER)	材料 (MATERIAL)	仕上 (FINISH)	バラ端子型番 (L/P PART NUMBER)
1-170291-1	黄銅, BRASS, 0.3t	錫めっき済 PRE-TINND MAT'L	1-170321-1
OBSOLETE	1-170291-3	黄銅, BRASS, 0.3t	---
1-170291-4	リン青銅, 0.3t PHOS-BZ	錫めっき済 PRE-TINND MAT'L	1-170321-4
1-170291-7	リン青銅, 0.3t PHOS-BZ	---	---
⑤	3-170291-1	黄銅, BRASS, 0.3t	錫めっき済 PRE-TINND MAT'L

THIS DRAWING IS A CONTROLLED DOCUMENT.

DIMENSIONS: 単位: 耗 mm

TOLERANCES UNLESS OTHERWISE SPECIFIED: 一般公差 ±0.3



- 0-PLC ±
- 1-PLC ±
- 2-PLC ±
- 3-PLC ±
- 4-PLC ±
- ANGLES ±

WIRE RANGE  
0.3~0.56mm<sup>2</sup> (AWG#22-#20)

INSULATION DIA.  
2.4mm MAX.

MATERIAL 材料 SEE TABLE

FINISH 仕上 SEE TABLE

DWN A.YAMAGUCHI 09JUL03

CHK K.BETSUI 09JUL03

APVD K.BETSUI 09JUL03

PRODUCT SPEC 製品規格 108-5124

APPLICATION SPEC 取付適用規格 114-5045

WEIGHT -

CUSTOMER DRAWING

STE TE Connectivity

DUAL LINE INTERLOCK CONNECTOR

NAME 名称

SIZE A3 CAGE CODE 00779 DRAWING NO 番号 C-170291 RESTRICTED TO

SCALE 尺度 5:1 SHEET 1 OF 1 REV H2

单击下面可查看定价，库存，交付和生命周期等信息

[>>TE Connectivity\(泰科\)](#)