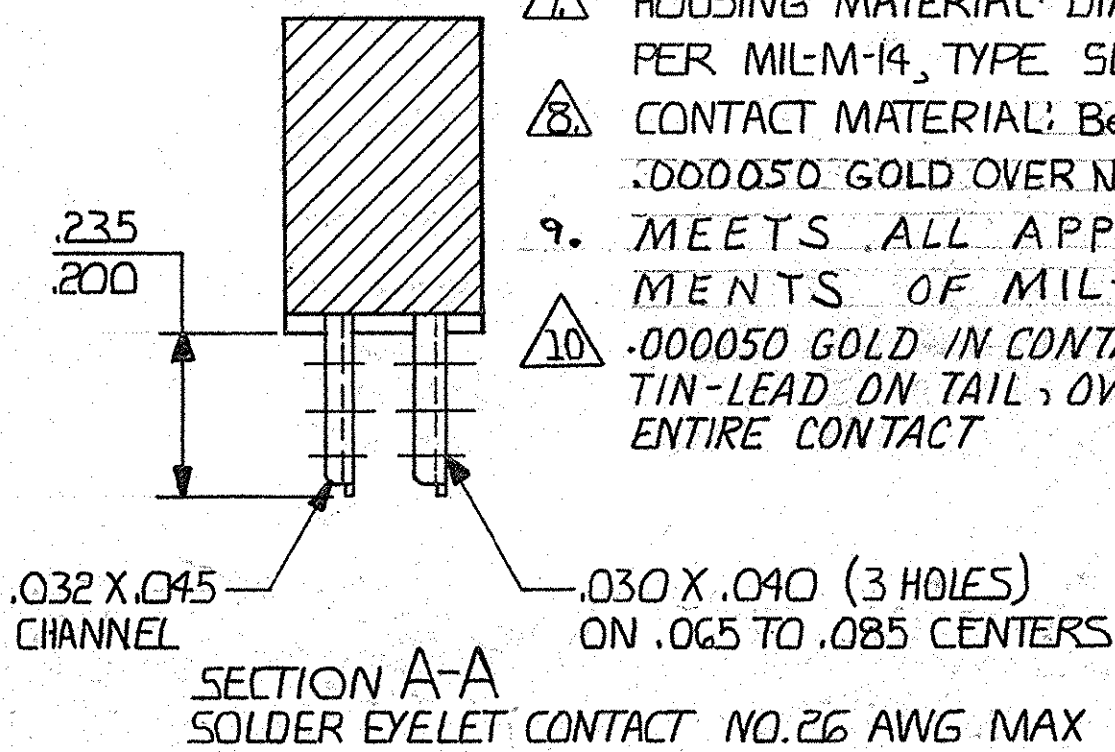
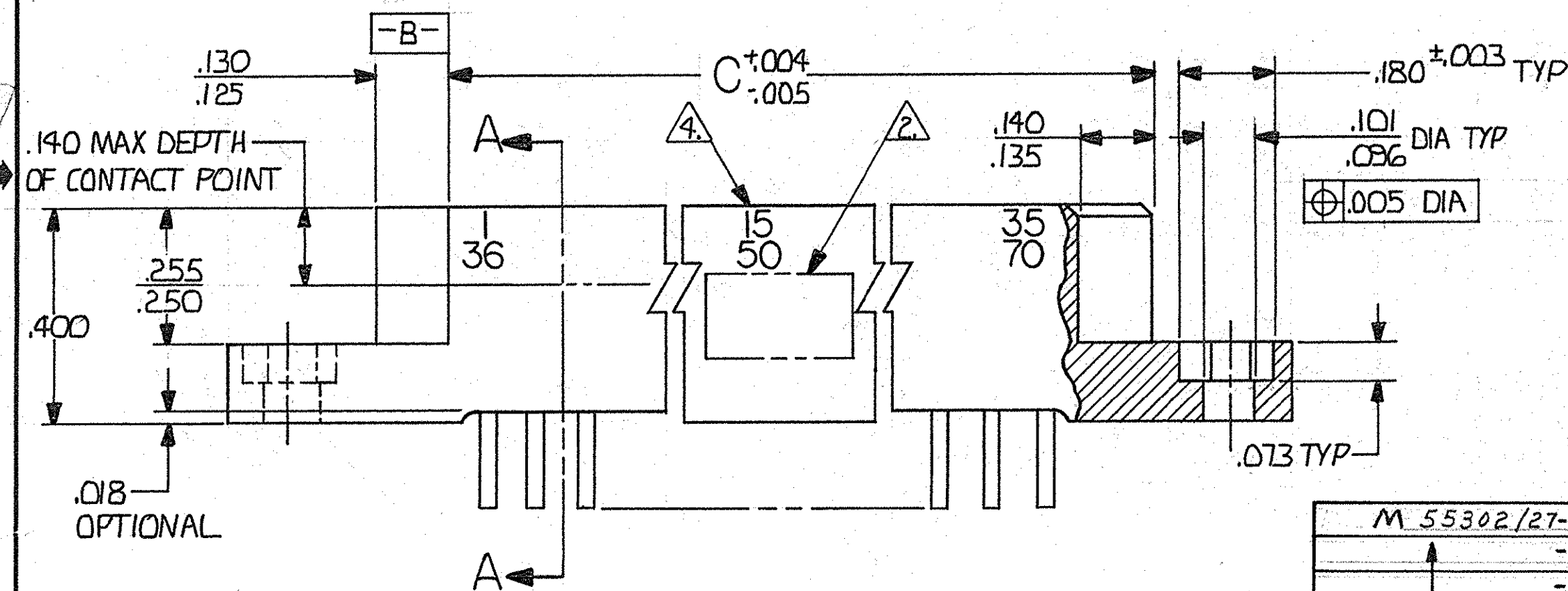
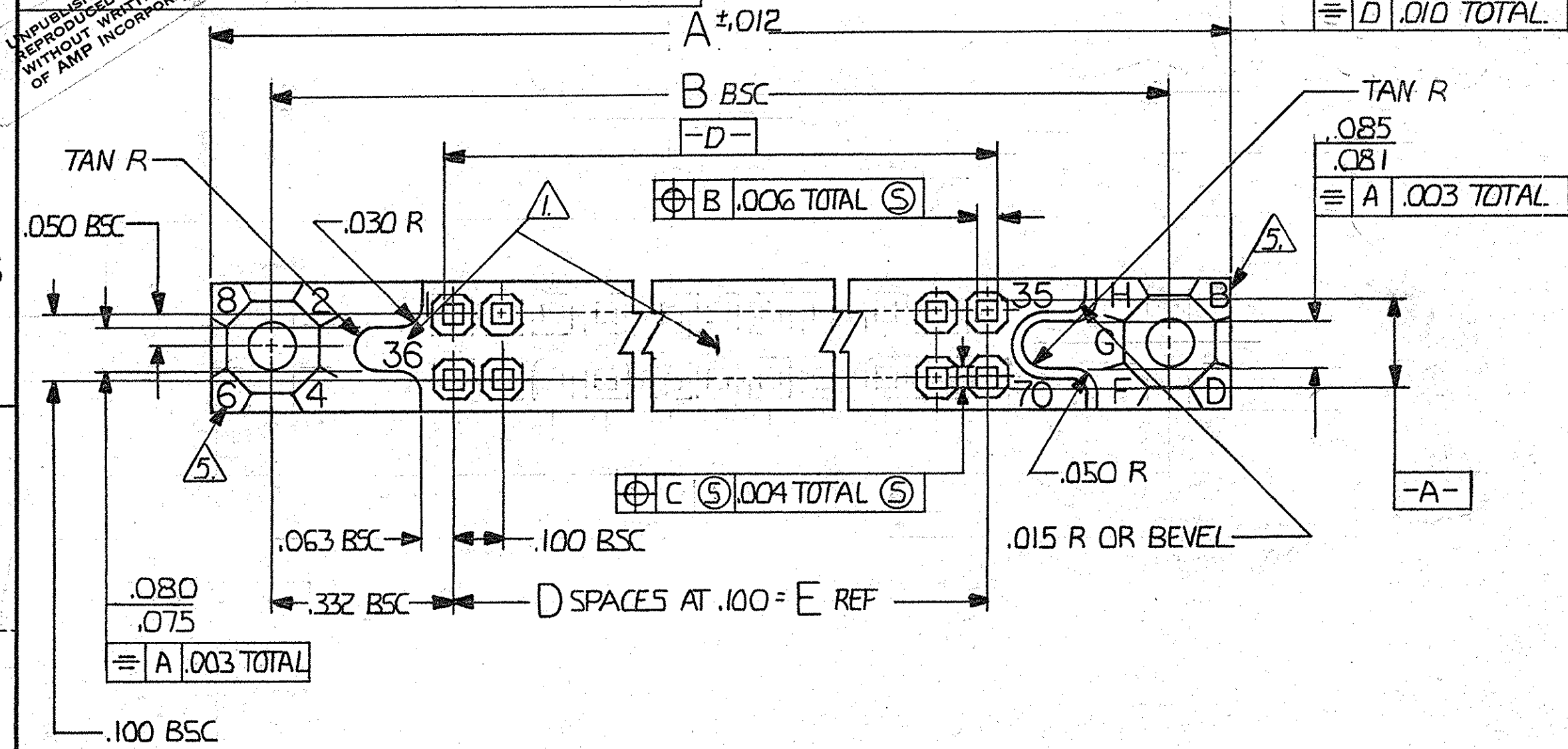


© COPYRIGHT 1976 BY AMP INCORPORATED, HARRISBURG, PA. ALL INTERESTS RESERVED. AMP INCORPORATED PRODUCTS COVERED BY U.S. AND FOREIGN PATENTS AND/OR PATENTS PENDING.

UNPUBLISHED
REPRODUCED
WITHOUT WRITTEN PERMISSION
OF AMP INCORPORATED

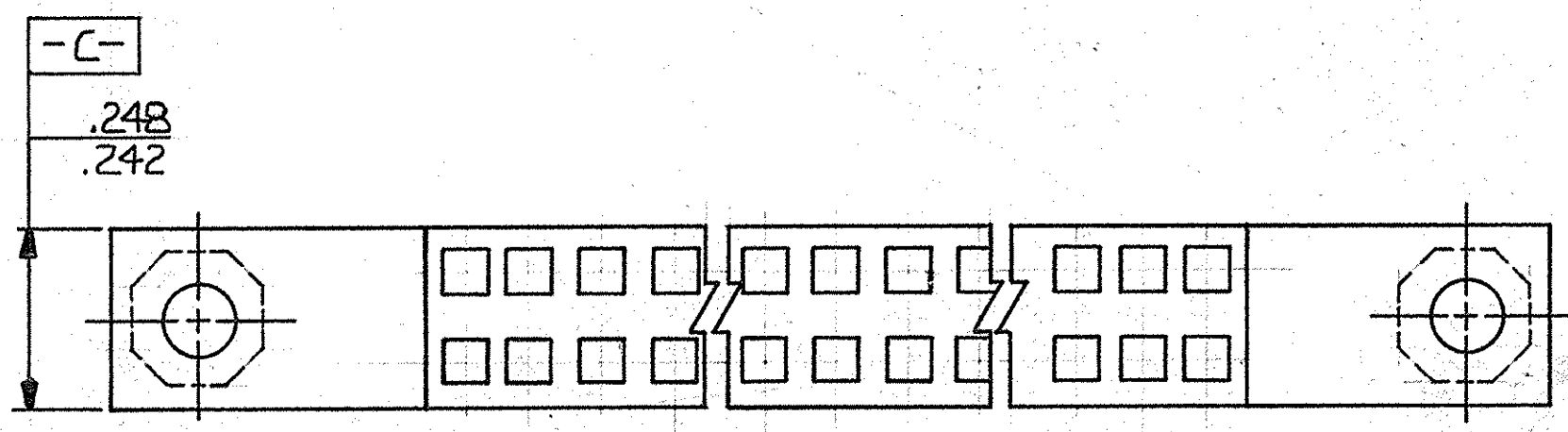


REVISIONS						
P.	F.	ZONE	LTR	DESCRIPTION	DATE	APPROVED
✓		D		RELEASED WAS 5087-940-1 RW	6-14-76	
✓		01		REVISED PER ECN 4977 m.s.	11-16-76	
✓		02		REVISED 5061 m.s.	2-2-77	
✓		03		ADDED 4 P/N SHT. 2 6148 m.s.	7-30-79	
✓		04		MIL. P/N'S ASSIGNED	4-80	DLK Ro
✓		05		REVISED PER ECN 8248 m.s.	12-82	DJM
✓		A		REV. PER ECN AB-0535	db 12-84	EAM
✓		B		REV PER DF-2240	T.W. 10-89	ASR
✓		C		REV PER 609-5859-96	TT 04-98	982
✓		D		REV PER ECO-05-013228	11-05	PY

1. NUMBERS AND LINES INDICATING EVERY FIVE CAVITIES MOLDED OR MARKED ON MATING FACE.
2. "AMP", 00779, PART NO., MILITARY PART NO. AND DATE CODE (SIDE OPTIONAL).
3. MUST MEET ALL APPLICABLE REQUIREMENTS OF MIL-C-55302.
4. NUMBERS INDICATING EVERY FIVE CAVITIES MOLDED OR MARKED ON SIDE.
5. KEY POSITION IDENTIFICATION MOLDED ON SURFACES SHOWN.
6. USE EXTERNAL KEY NUMBER 530341-1 MATES WITH PART NUMBER 530339.
7. HOUSING MATERIAL: DIALYL PHTHALATE, COLOR: BLUE PER MIL-M-14, TYPE SDG-F.
8. CONTACT MATERIAL: BeCu OR COPPER-NICKEL-SILICONE .000050 GOLD OVER NICKEL, TIN-LEAD ON TAILS
9. MEETS ALL APPLICABLE REQUIREMENTS OF MIL-C-55302.
10. .000050 GOLD IN CONTACT AREA, .000100 TIN-LEAD ON TAIL, OVER .000050 NICKEL ENTIRE CONTACT

M 55302/27-108	56	55	5.400	54	5.655	6.065	6.355	110	530758-9
-107	51	50	4.900	49	5.165	5.565	5.855	100	-8
-106	46	45	4.400	44	4.665	5.065	5.355	90	-7
-105	41	40	3.900	39	4.165	4.565	4.855	80	-6
-104	36	35	3.400	34	3.665	4.065	4.355	70	-5
-103	31	30	2.900	29	3.165	3.565	3.855	60	-4
-102	26	25	2.400	24	2.665	3.065	3.355	50	-3
-101	21	20	1.900	19	2.165	2.565	2.855	40	-2
M 55302/27-100	16	15	1.400	14	1.665	2.065	2.355	30	530758-1

UNLESS OTHERWISE SPECIFIED DIMENSIONS ARE IN INCHES. TOLERANCES ON: DECIMALS ±.005 ANGLES ±.005	CONTRACT NO		AMP INCORPORATED Harrisburg, Pa.	
	MATERIAL			
FINISH RCPT. CONTACT:	DR. Robert Weber 6-14-76	NAME BOX CONNECTOR RECEPTACLE ASSY, 100 GRID, EXTERNAL KEYING		
	CHY. [Signature] 6-15-76	SIZE CODE IDENT NO DRAWING NO		
	APPD. R. Williams 6-16-76	C 00779 530758		
	APPD. R. Shawman 6-16-76	SCALE 4-1 SHEET 1 OF 2		
	DSGN APPD	OTHER APPD		



© COPYRIGHT 19 BY AMP INCORPORATED, HARRISBURG, PA. ALL INTERNATIONAL RIGHTS RESERVED. AMP INCORPORATED PRODUCTS COVERED BY U. S. AND FOREIGN PATENTS AND/OR PATENTS PENDING.

REVISIONS			
P	F	ZONE	DATE
✓	✓	D	1-530758-3

DESCRIPTION: (SEE SHEET 1 OF 2)

530758

MILITARY PART NO.	CAVITY IDENT. NO.	E	D	C	B	A	NO. OF CONTACTS	PART NO
M55302/27-197	71 70 140	6.900	69	7.165	7.565	7.855	140	1-530758-3
M55302/27-196	68 67 134	6.600	66	6.865	7.265	7.555	134	1-530758-2
M55302/27-195	66 65 130	6.400	64	6.665	7.065	7.355	130	1-530758-1
M55302/27-194	61 60 120	5.900	59	6.165	6.565	6.855	120	1-530758-0

UNLESS OTHERWISE SPECIFIED DIMENSIONS ARE IN INCHES. TOLERANCES ON: DECIMALS ±.005 ANGLES ±	CONTRACT NO 7-30-79		AMP AMP INCORPORATED Harrisburg, Pa.	
	DR <i>M. Smith</i>	CHK <i>Royce D. D...</i>	NAME: BOX CONNECTOR, RECEPTACLE ASSY, 100 GRID, EXTERNAL KEYING	
	MATERIAL	APPR <i>Royce D. D...</i>	SIZE CODE IDENT NO DRAWING NO C 00779 530758	
	FINISH	APPR <i>John Kaufman</i>	SCALE SHEET 2 OF 2	

单击下面可查看定价，库存，交付和生命周期等信息

[>>TE Connectivity\(泰科\)](#)