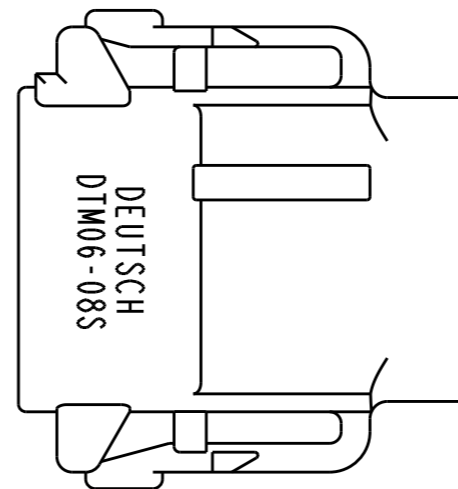
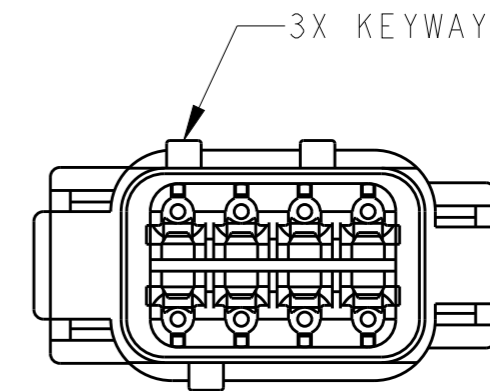
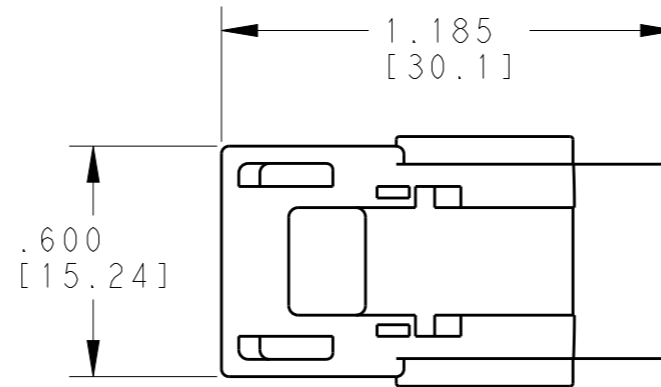
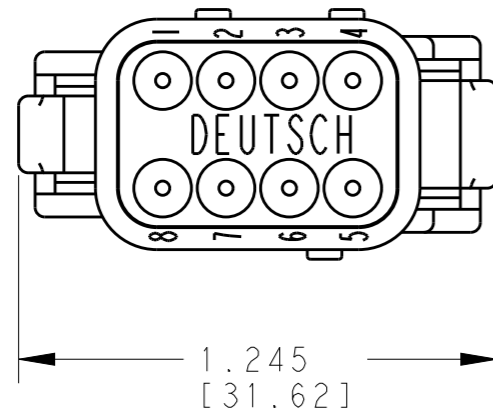
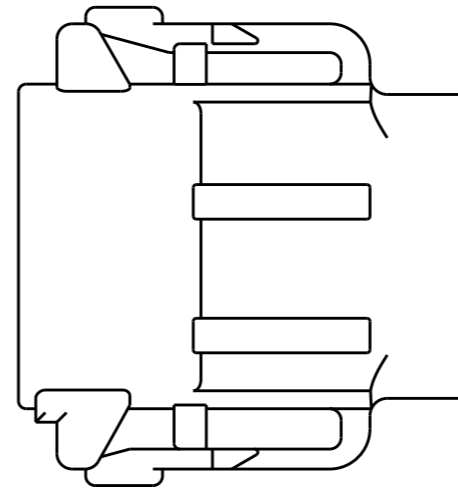
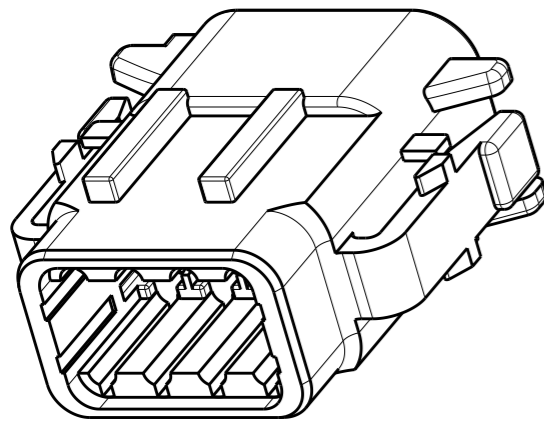


THIS DRAWING IS UNPUBLISHED  
© COPYRIGHT 2001 BY TE CONNECTIVITY  
RELEASED FOR PUBLICATION 2014  
ALL RIGHTS RESERVED.

LOC DIST

REVISIONS

P	LTR	DESCRIPTION	DATE	DWN	APVD
	A	REVISED PER ECO-14-016222	28OCT2014	JA	DM
	A1	ECO-15-008171	29MAY2015	MGM	DM
	A2	ECO-16-006326	22MAR2016	CHS	DM



TE INTERNAL PN	DEUTSCH PN
DTM06-08SA	DTM06-08SA
DTM06-08SB	DTM06-08SB
DTM06-08SC	DTM06-08SC
DTM06-08SD	DTM06-08SD

CONTACT SIZE	MIN. INSUL. O.D.	MAX. INSUL. O.D.	WIRE RANGE [mm <sup>2</sup> ] REF ONLY
20	.053 [1.35]	.120 [3.05]	16-22 AWG [1.0-0.5]

5. SEE SHEET 2 FOR OTHER KEY ARRANGEMENTS.

4 MATERIAL - HOUSING: PA66; GROMMET: VMQ.

3. THIS PLUG MATES WITH DTM04-08PX-XXXX RECEPTACLE. (X = A,B,C,D KEYS; XXXX = ALL MODIFICATIONS)

2 FOR CONTACT AND WIRE PERFORMANCE AND APPLICATION CHARACTERISTICS SEE ENVELOPE DRAWING 0425-015-0000.

1. SECONDARY WEDGE LOCK SOLD SEPARATELY: WM-8S.

NOTES: UNLESS OTHERWISE SPECIFIED

THIS DRAWING IS A CONTROLLED DOCUMENT.

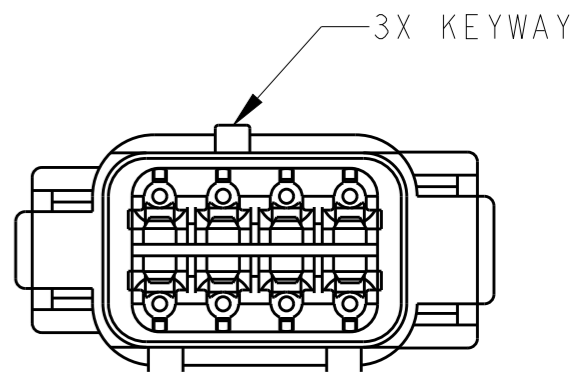
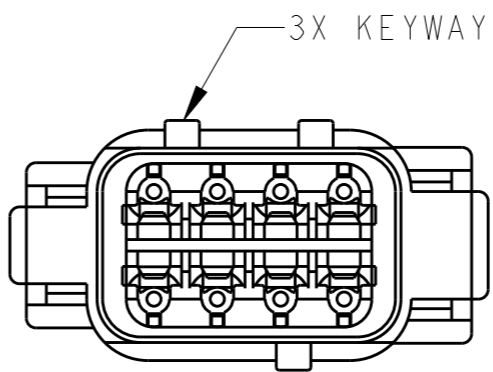
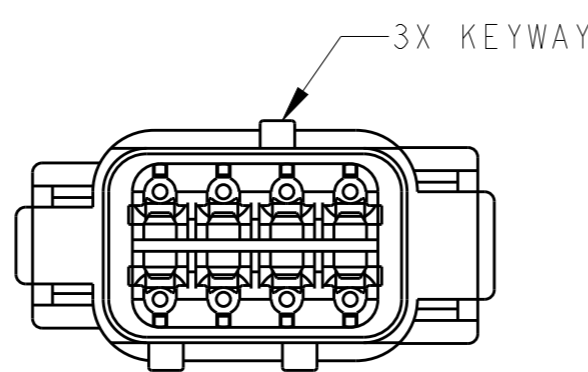
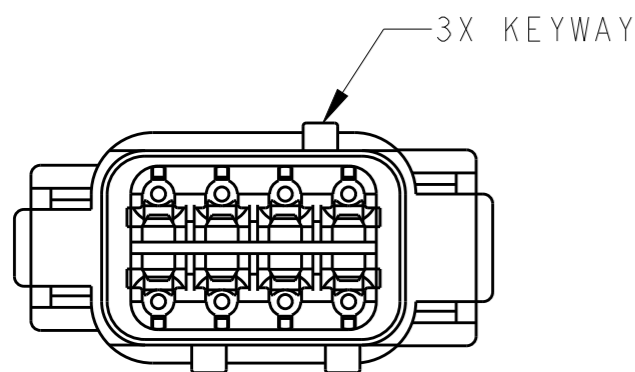
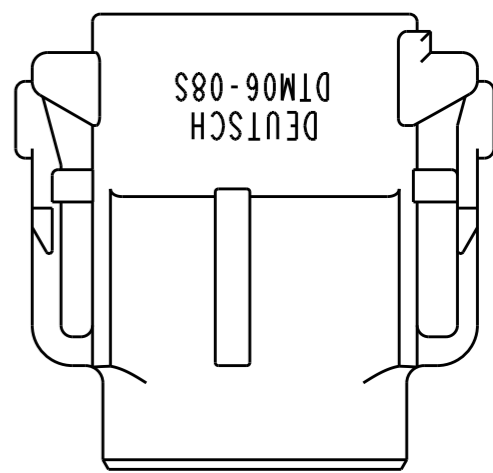
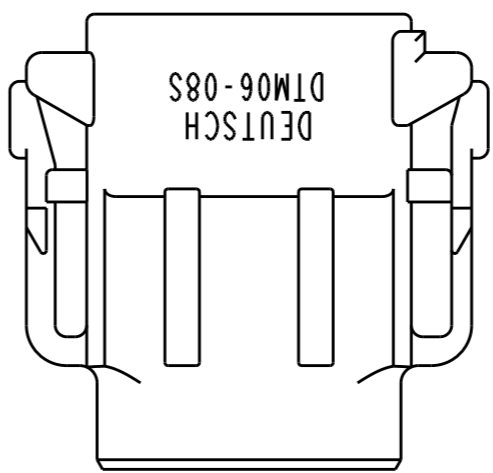
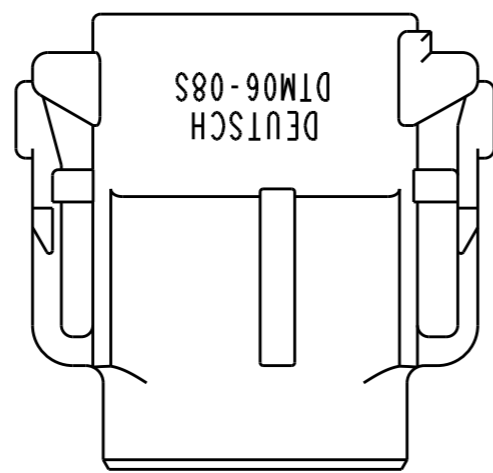
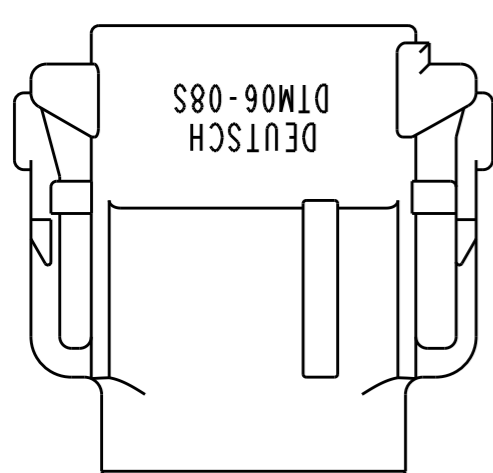
DIMENSIONS: INCHES [mm]	TOLERANCES UNLESS OTHERWISE SPECIFIED:
	0 PLC ±
	1 PLC ±
	2 PLC ±
	3 PLC ±.025 [0.635]
	4 PLC ±
	ANGLES ±0°30'0"
MATERIAL	FINISH N/A

DWN	16APR2001
CHK	JAIME C. APOSTOL
APVD	28OCT2014
APVD	BOB MILLIGAN
APVD	DAVID MEYER
PRODUCT SPEC	108-151010
APPLICATION SPEC	0425-015-0000
WEIGHT	8.31g

TE Connectivity			
NAME PLUG 8 CONTACTS SIZE 20 A,B,C,D KEYS DTM SERIES			
SIZE	CAGE CODE	DRAWING NO	RESTRICTED TO
A3	4AFU8	DTM06-08SX	-
Customer Drawing		SCALE 2:1	SHEET 1 OF 2 REV A2

THIS DRAWING IS UNPUBLISHED  
 RELEASED FOR PUBLICATION 2014  
 © COPYRIGHT 2001 BY TE CONNECTIVITY ALL RIGHTS RESERVED.

LOC	DIST	REVISIONS			
P	LTR	DESCRIPTION	DATE	DWN	APVD
		SEE SHEET 1	-	-	-



**DTM06-08SA**  
**KEY -A-**  
**COLOR: GREY**

**DTM06-08SB**  
**KEY -B-**  
**COLOR: BLACK**

**DTM06-08SC**  
**KEY -C-**  
**COLOR: GREEN**

**DTM06-08SD**  
**KEY -D-**  
**COLOR: BROWN**

THIS DRAWING IS A CONTROLLED DOCUMENT.		DWN 16APR2001 JAIME C. APOSTOL	TE Connectivity	
DIMENSIONS: INCHES [mm]		CHK 28OCT2014 BOB MILLIGAN		
		APVD 28OCT2014 DAVID MEYER	NAME PLUG 8 CONTACTS SIZE 20 A,B,C,D KEYS DTM SERIES	
TOLERANCES UNLESS OTHERWISE SPECIFIED:		PRODUCT SPEC 108-151010	RESTRICTED TO	
0 PLC ± 1 PLC ± 2 PLC ± 3 PLC ±.025 [0.635] 4 PLC ± ANGLES ±0°30'0"		APPLICATION SPEC 0425-015-0000	SIZE A3	CAGE CODE 4AFU8
MATERIAL 	FINISH N/A	WEIGHT 8.31g	DRAWING NO DTM06-08SX	
		Customer Drawing	SCALE 2:1	SHEET 2 OF 2
			REV A2	

单击下面可查看定价，库存，交付和生命周期等信息

[>>TE Connectivity\(泰科\)](#)