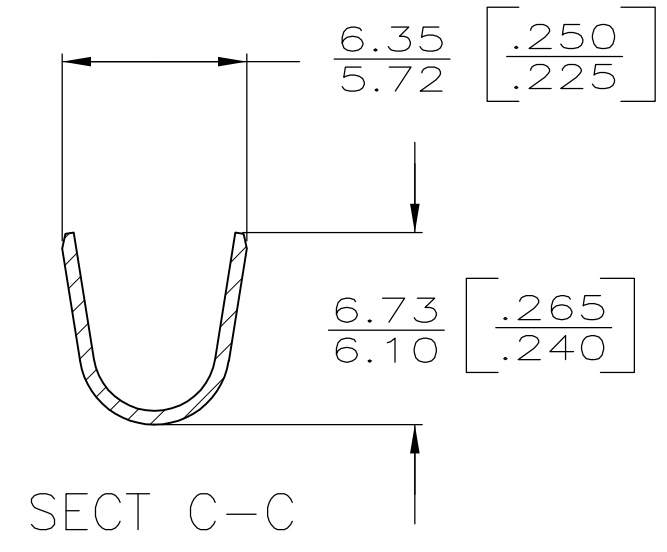
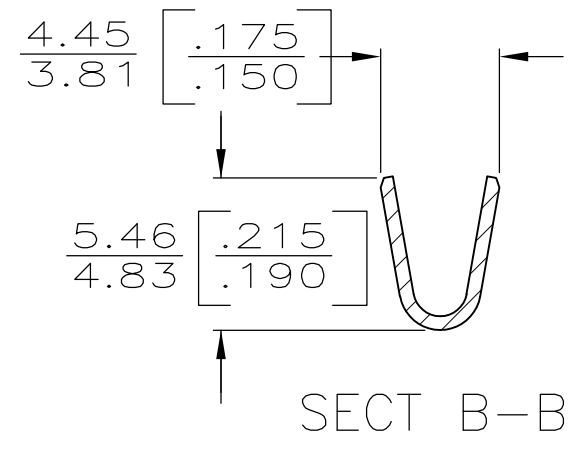
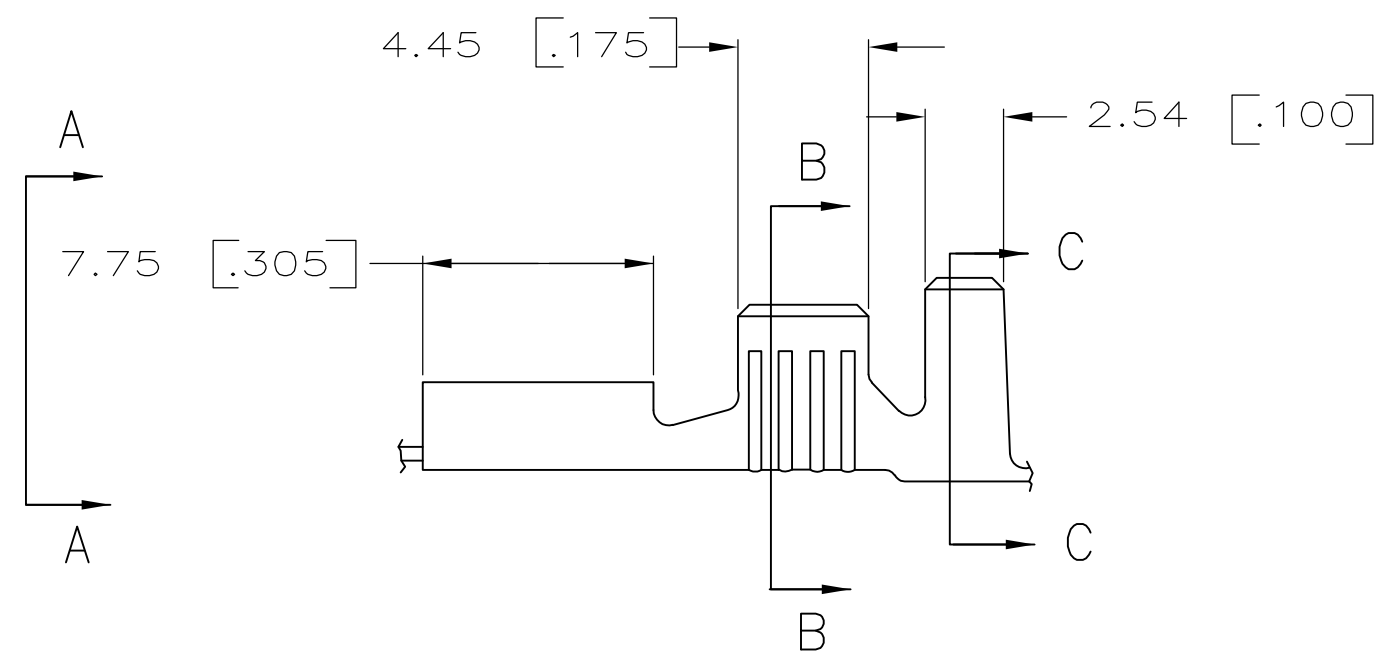
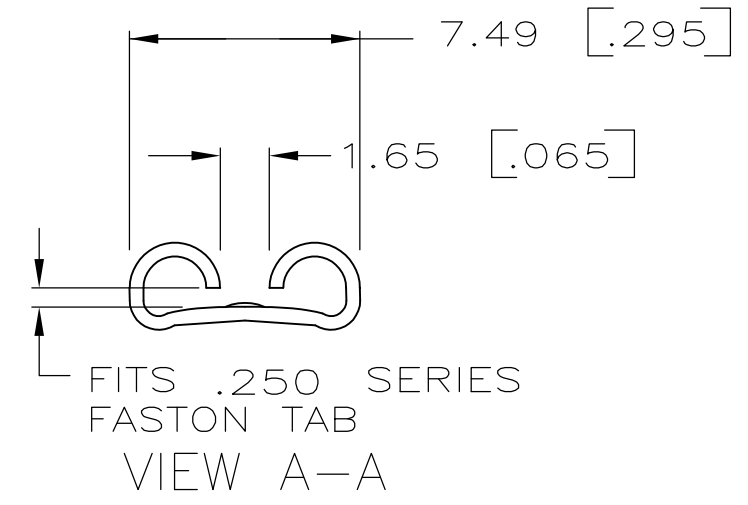
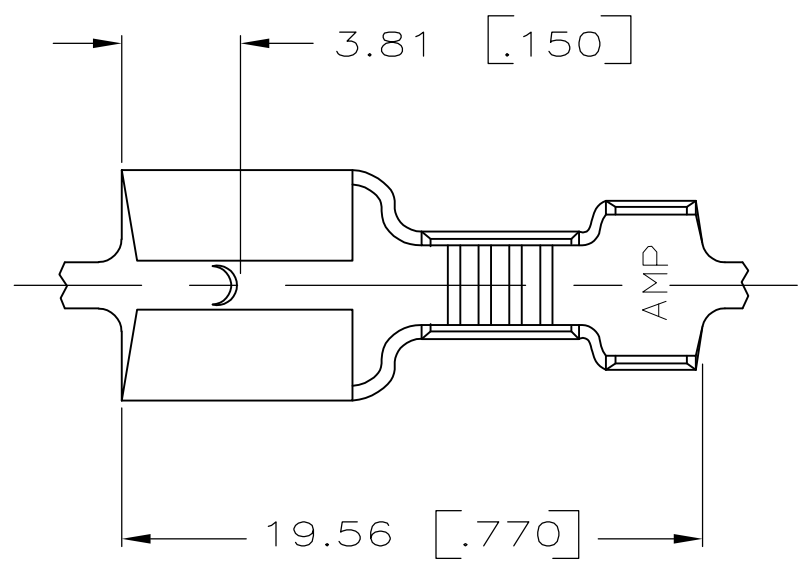


THIS DRAWING IS UNPUBLISHED. RELEASED FOR PUBLICATION
 © COPYRIGHT - By - ALL RIGHTS RESERVED.

LOC	DIST	REVISIONS					
AF	50	P	LTR	DESCRIPTION	DATE	DWN	APVD
			F	REVISED PER ECR-12-013518	23NOV2012	KH	PD

- 1 DIM'S IN BRACKETS ARE IN INCHES.
- 2 CONTINUOUS STRIP ON REELS.



3.81-5.08 [.150-.200]	2.0-5.0mm ² [14-10]	0.81±0.025 [.032] ±.001	63412-1
INSUL RANGE	WIRE SIZE	TAB THK	PART NO

0	5.33 [.210]	5.59 [.220]	F	3.30 [.130]	2.90 [.114]	5.0mm ² [10]
					2.39 [.094]	3.0mm ² [12]
					2.08 [.082]	2.0mm ² [14]
TYPE	WIDTH	STRIP LENGTH ±0.38 [±.015]	TYPE	WIDTH	±.051 [±.002] HEIGHT	WIRE
INSUL BARREL CRIMP			WIRE BARREL CRIMP			

THIS DRAWING IS A CONTROLLED DOCUMENT.

DIMENSIONS:
mm [INCHES]

TOLERANCES UNLESS OTHERWISE SPECIFIED:

0 PLC	± -
1 PLC	± -
2 PLC	± 0.25 [.010]
3 PLC	± -
4 PLC	± -
ANGLES	± -
FINISH	± -

MATERIAL: BRASS

FINISH: TIN

DWN: JR RUTH 2/7/86
 CHK: G YETTER 2/7/86
 APVD: C MEYERS 2/7/86

STE TE Connectivity

NAME: .250 SERIES FASTON RECEPTACLE

PRODUCT SPEC: -
 APPLICATION SPEC: -
 WEIGHT: -

SIZE: A3 CAGE CODE: 00779 DRAWING NO: C-63412 RESTRICTED TO: -

CUSTOMER DRAWING SCALE: 4:1 SHEET: 1 OF 1 REV: F

单击下面可查看定价，库存，交付和生命周期等信息

[>>TE Connectivity\(泰科\)](#)