

REVISIONS				
P	LTR	DESCRIPTION	DATE	APVD
	B1	ECO 19-011574	8-22-19	CT RL


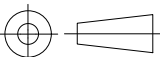
- ① ITEMS PACKAGED IN POLY BAG & LABELED WITH AMP PART NUMBER AND DATE CODE.
- ② MATERIAL: ZINC ALLOY.
- ③ MATERIAL: PASSIVATED STAINLESS STEEL.
- ④ ITEMS PACKAGED IN POLY BAG & LABELED WITH AMP PART NUMBER, AMP, DATE CODE AND CUSTOMER PART NUMBER "4073612-31".
- ⑤ ALUMINUM, BLUE ANODIZED

④	①	PACKAGING	⑤	③	②	ITEM NO.
1	1	1218692-1				3
2	2	208021-1				2
3	3	208019-1				1
-2	-1	PART NUMBER	MATL.	DESCRIPTION		

RELEASED FOR PUBLICATION

ALL RIGHTS RESERVED.

© COPYRIGHT - TE Connectivity Ltd.

DIMENSIONS: INCHES	DWN	W.LEUFERT	7-23-91	MATERIAL	-	FINISH	-
	CHK	S.E.WRIGHT	7-26-91	 TE Connectivity			
TOLERANCES UNLESS OTHERWISE SPECIFIED:	APVD	S.E.WRIGHT	7-26-91				
0 PLC ± -	PRODUCT SPEC		NAME				
1 PLC ± -	-		KEYING KIT, ARINC 600, RECPT.				
2 PLC ± -	APPLICATION SPEC		-				
3 PLC ± -	-		SIZE	CAGE CODE	DRAWING NO	RESTRICTED TO	
4 PLC ± -	-		A4	00779	C-448013	-	
ANGLES ± -	WEIGHT		0.000000				
			CUSTOMER DRAWING			SCALE	1:1
			SHEET		1 OF 1	REV	B1

单击下面可查看定价，库存，交付和生命周期等信息

[>>TE Connectivity\(泰科\)](#)