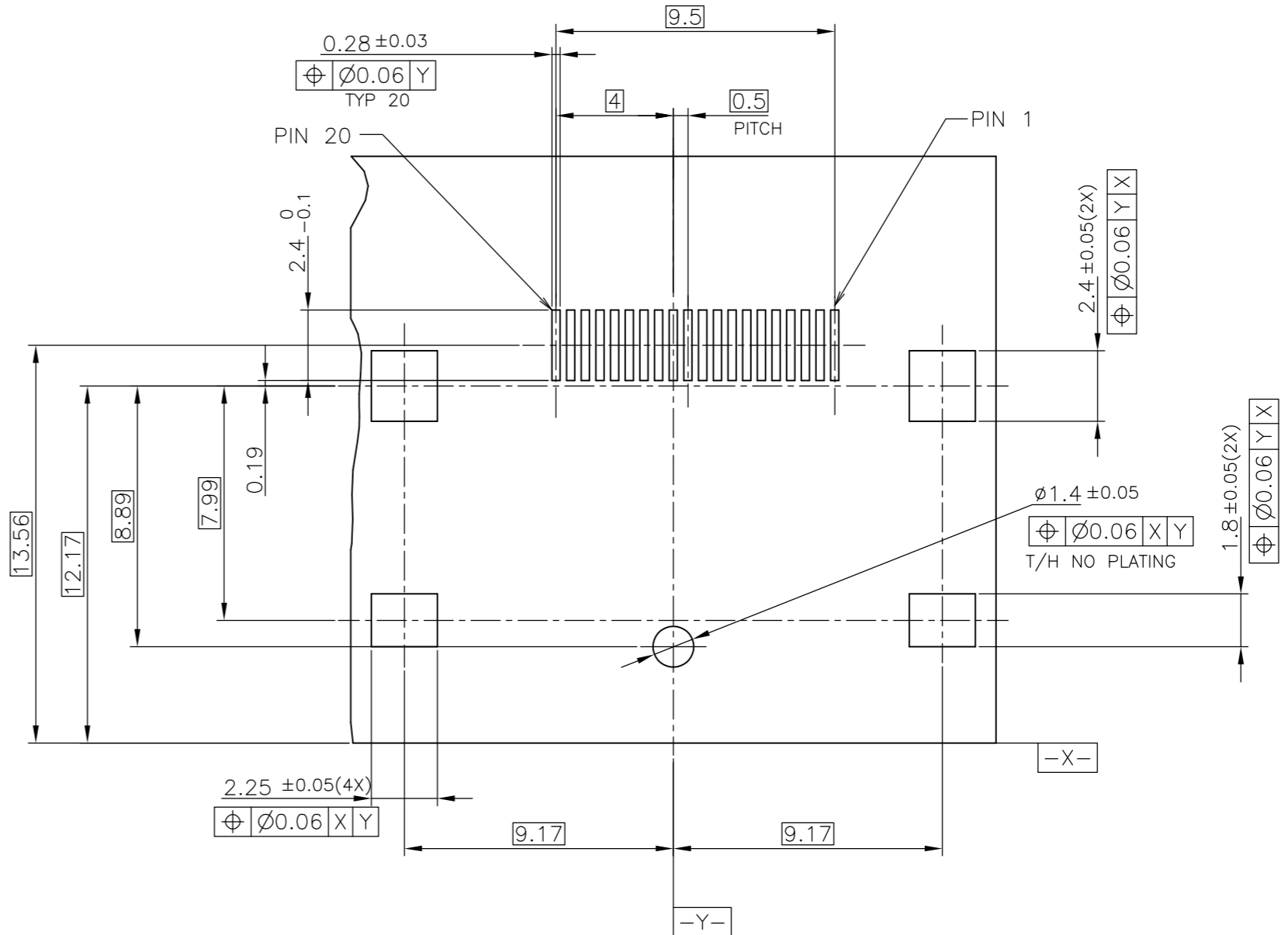
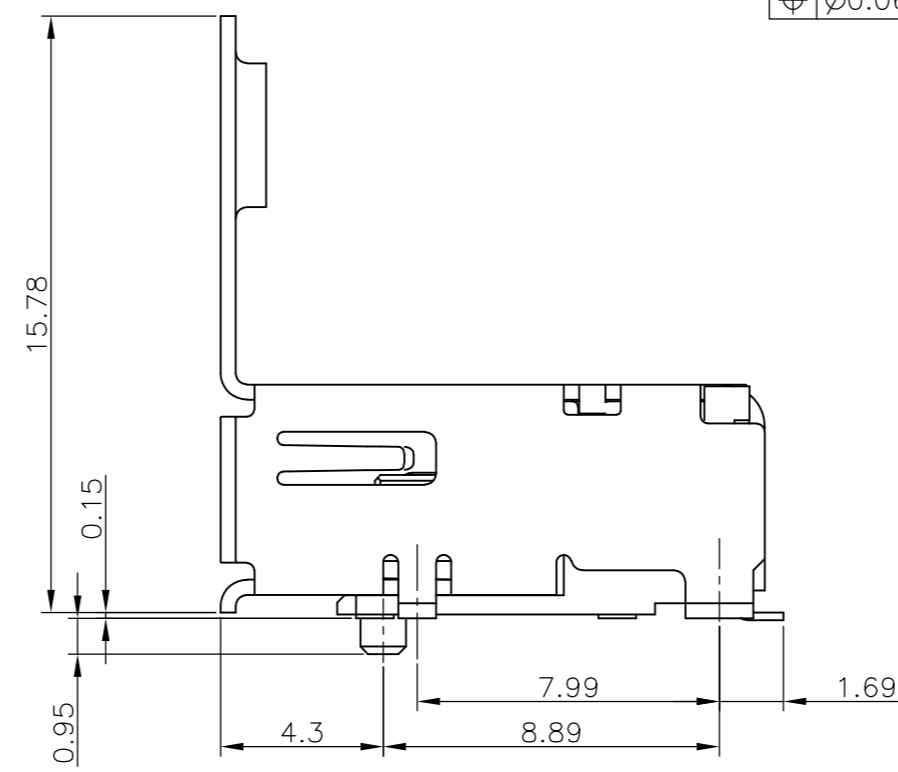
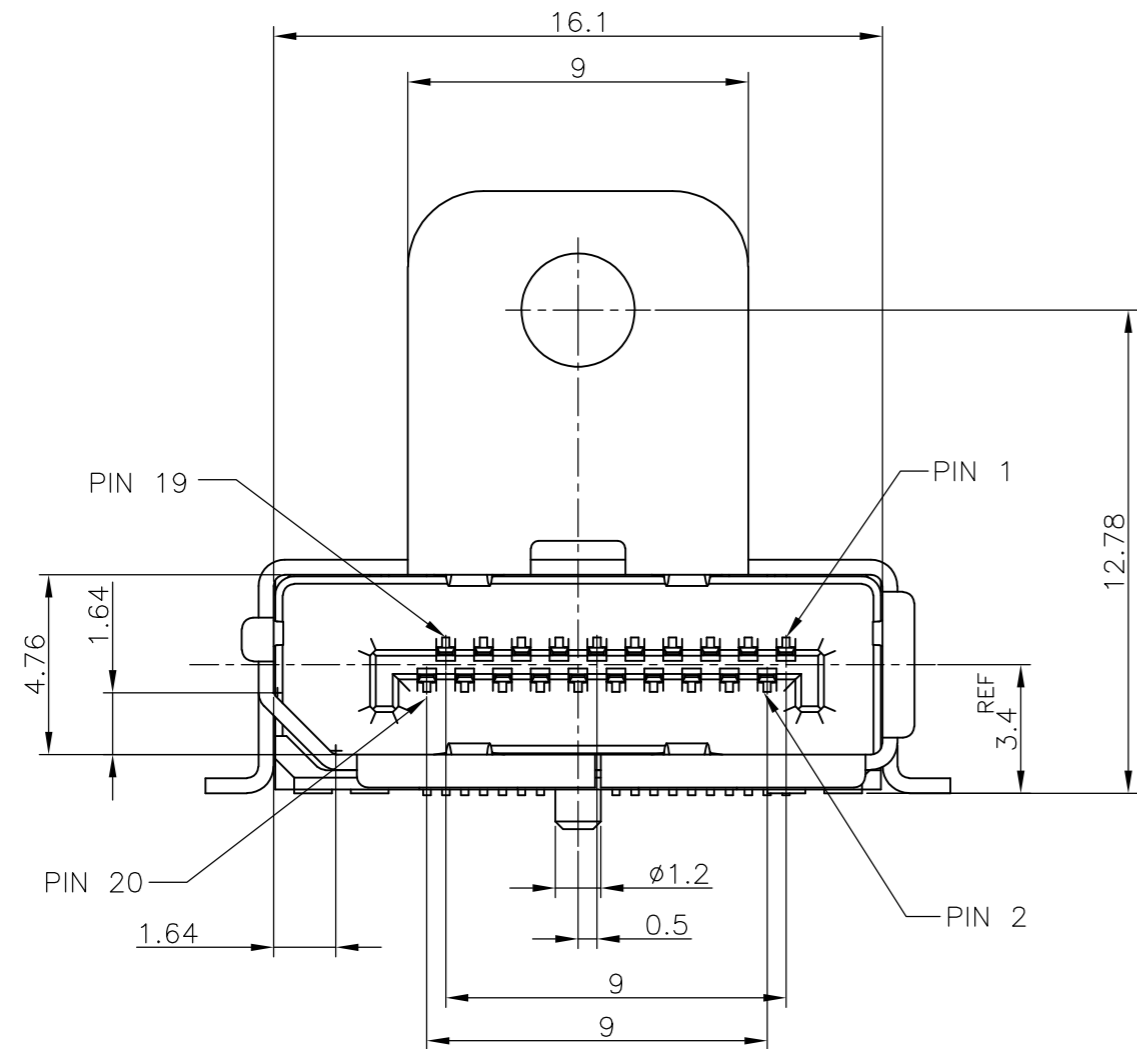
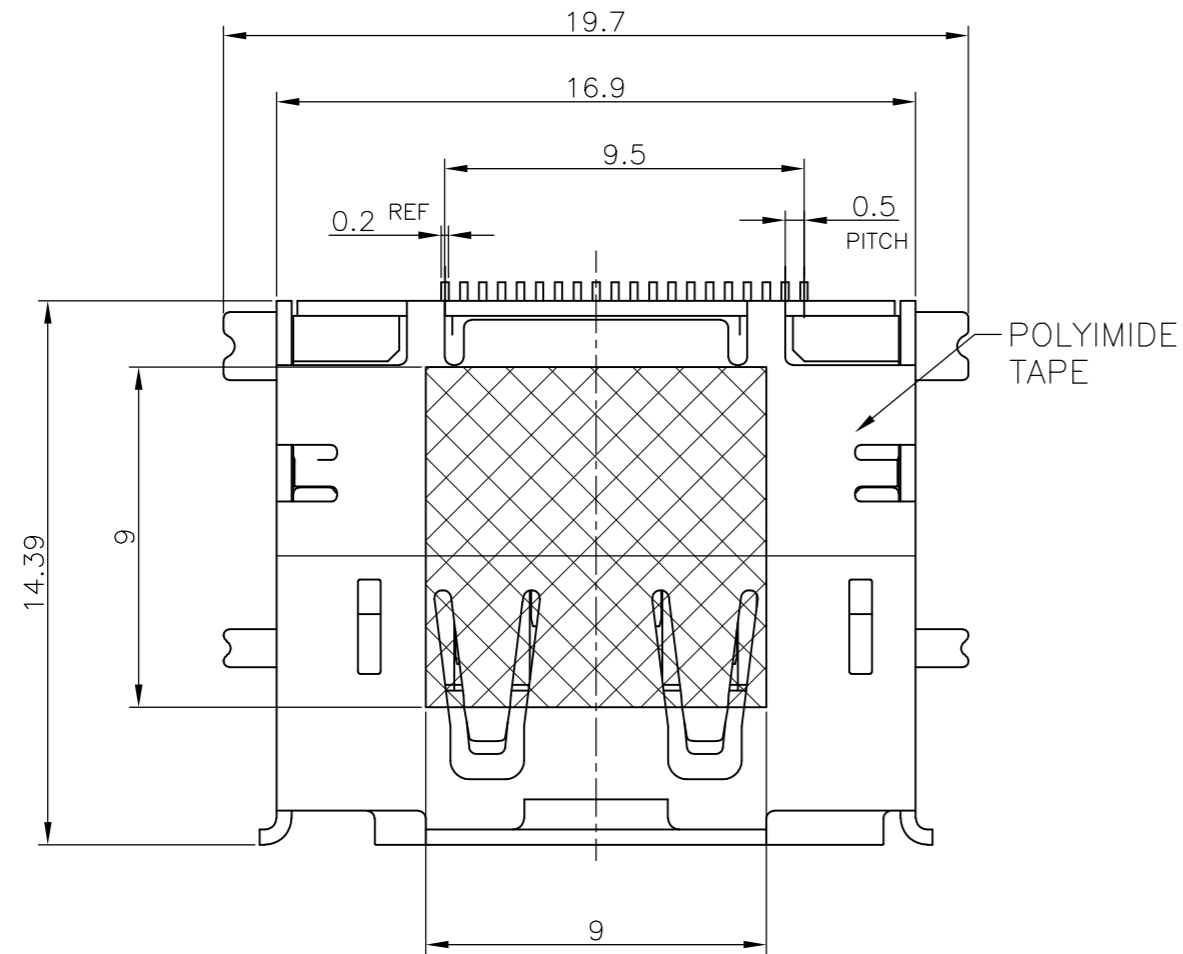


THIS DRAWING IS UNPUBLISHED. RELEASED FOR PUBLICATION JUL ,2008.  
 © COPYRIGHT 2008 BY TYCO ELECTRONICS CORPORATION. ALL RIGHTS RESERVED.

LOC		DIST		REVISONS			DATE	DWN	APVD
DW		-		P	LTR	DESCRIPTION			
				D1		REVISED (ECR-15-018779)	1APR2016	A.X	H.W

P/N:5-2040247-5; AS SHOWN



RECOMMENDED PCB LAYOUT MOUNTING SIDE

- MATERIAL:
  - HOUSING: HIGH TEMPERATURE THERMAL PLASTIC, BLACK, UL94V-0
  - CONTACT: COPPER ALLOY
  - SHELL: COPPER ALLOY
- FINISH:
  - CONTACT: CONTACT AREA: 0.76 MINIMUM MICRON GOLD PLATING OVER 1.27 MINIMUM MICRON NICKEL PLATING ALL
  - SOLDER TAIL AREA: 2.54 MINIMUM MICRON MATTE TIN PLATING.
  - SHELL: MATTE TIN PLATING.

- 3 THIS PRODUCT IS PACKED IN REEL.
- 4 HALOGEN FREE.

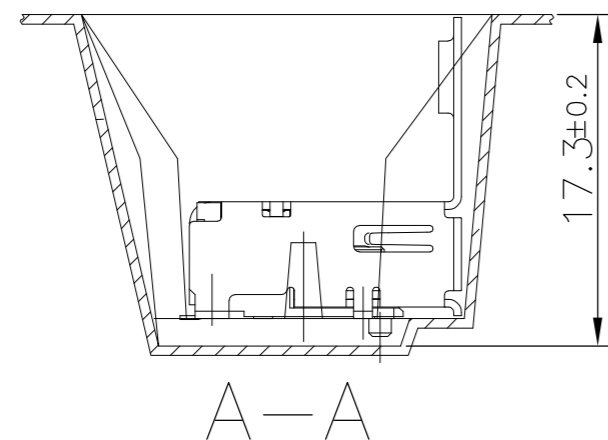
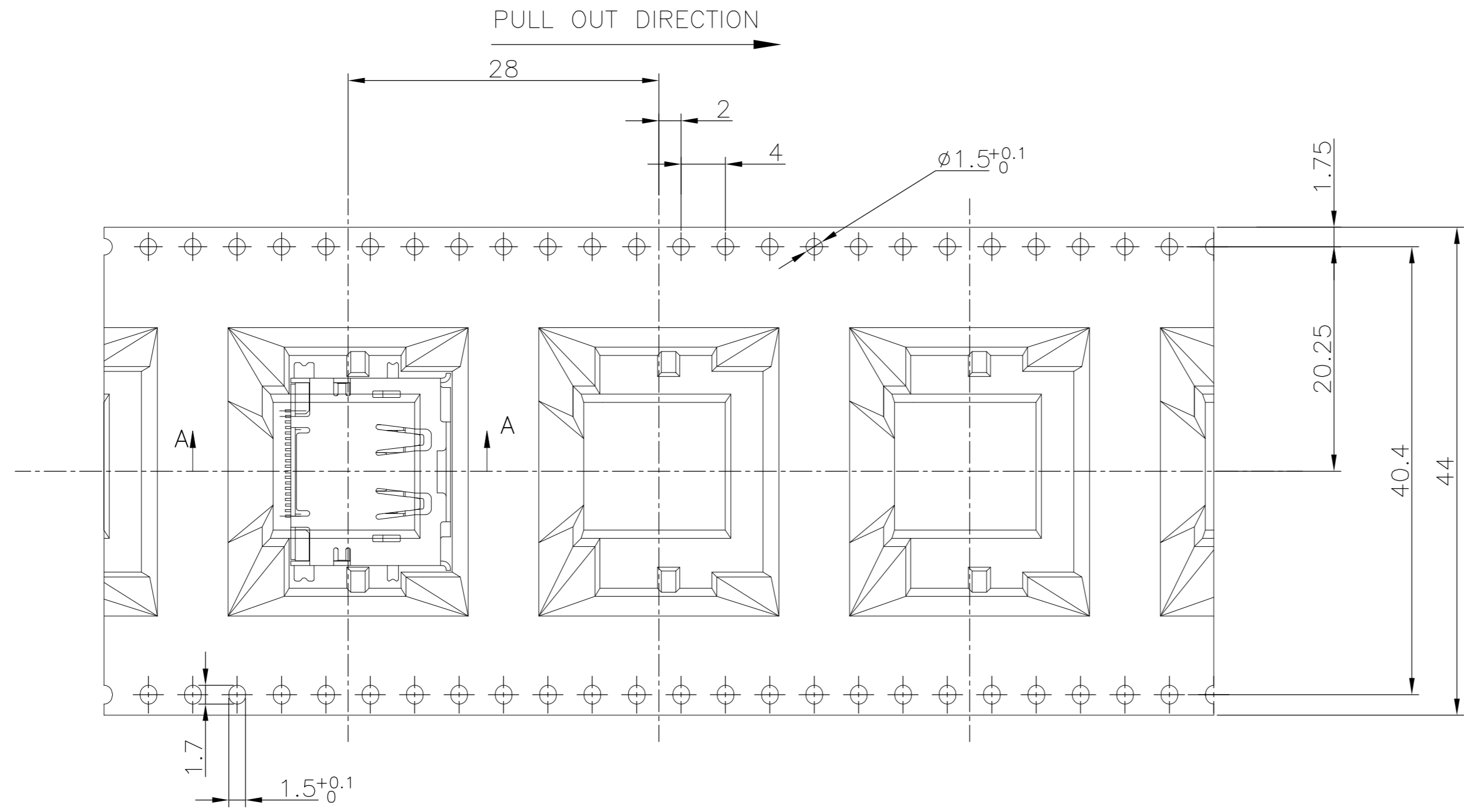
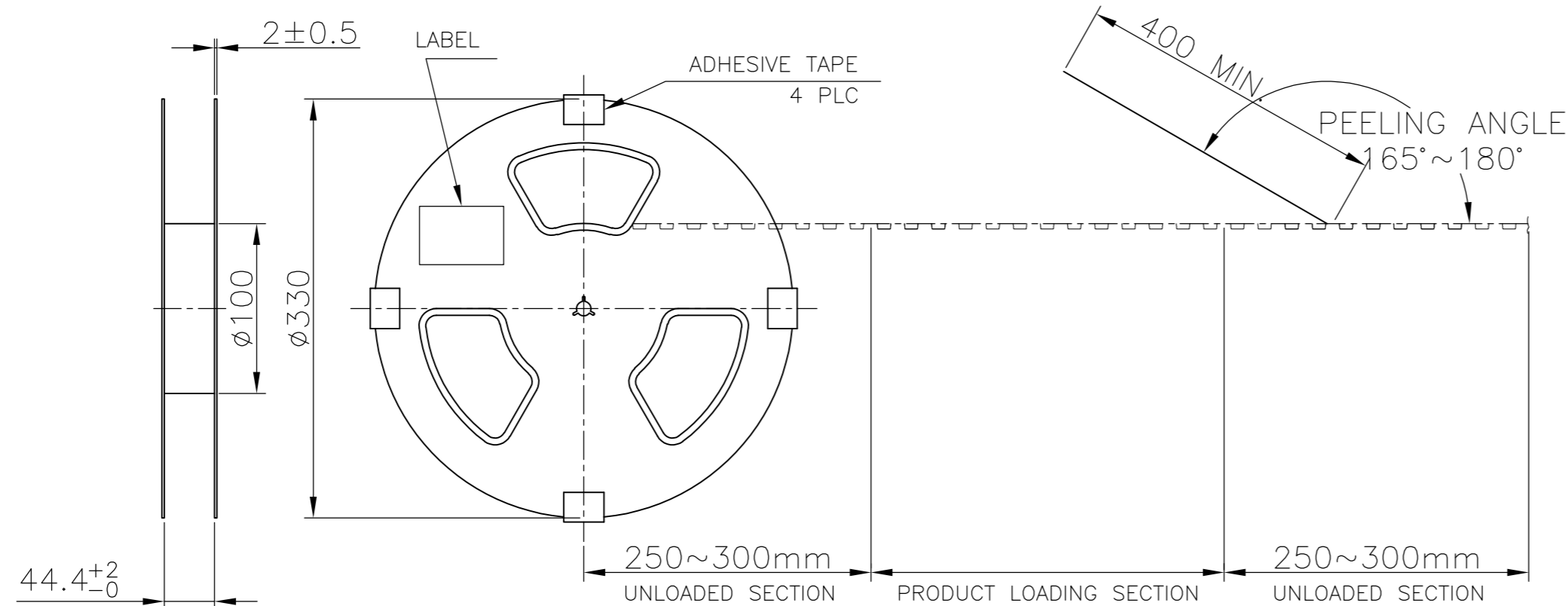
OBSELETE	WITH	5-2040247-5
	WITHOUT	2040247-5
	POLYIMIDE TAPE	PART NUMBER

THIS DRAWING IS A CONTROLLED DOCUMENT.		DWN	15FEB2008	Tyco Electronics Corporation Kawasaki, Japan
DIMENSIONS: 単位: 耗 mm		CHK	15FEB2008	
TOLERANCES UNLESS OTHERWISE SPECIFIED: 一般公差		APVD	15FEB2008	
0 PLC ± 0.3 1 PLC ± 0.3 2 PLC ± 0.3 3 PLC ± 0.3 4 PLC ± 0.3 ANGLES ± 2°		NAME T.KUSUHARA PRODUCT SPEC 製品規格 108-78515 APPLICATION SPEC 取付適用規格		RECEPTACLE ASSEMBLY DISPLAYPORT RA SMT STD SMT-LEG WITH FLANGE
MATERIAL 材料	FINISH 仕上	WEIGHT	2.82g	SIZE A2 CAGE CODE 00779 DRAWING NO. 番号 C=2040247 RESTRICTED TO
		CUSTOMER DRAWING	SCALE 5:1	SHEET 1 OF 3 REV D1

THIS DRAWING IS UNPUBLISHED. RELEASED FOR PUBLICATION JUL , 2008.  
 © COPYRIGHT 2008 BY TYCO ELECTRONICS CORPORATION. ALL RIGHTS RESERVED.

LOC		DIST		REVISIONS			
DW		/		変更	変更	変更	変更
P	LTR	DESCRIPTION		DATE	DWN	APVD	
-	-	SEE SHEET 1		-	-	-	-

PCAKING FOR 2040247-5

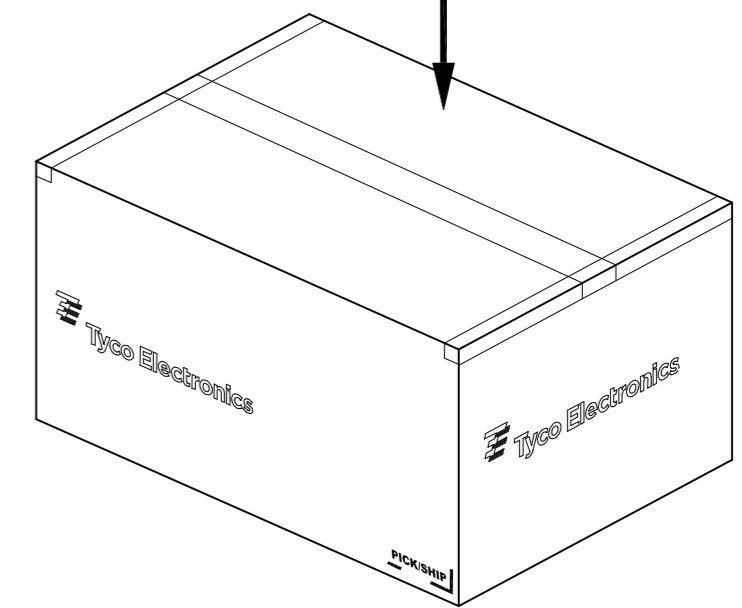
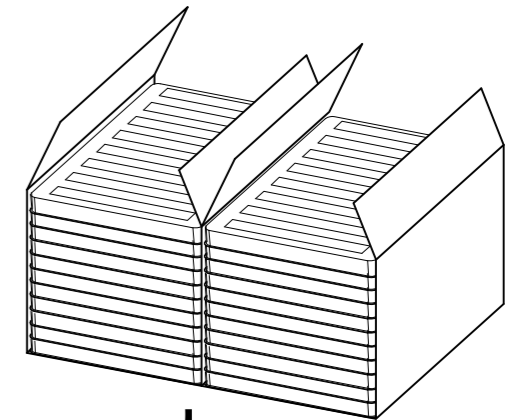
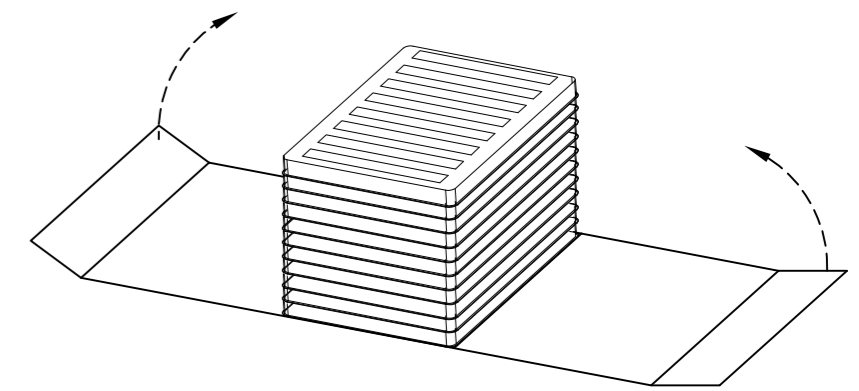
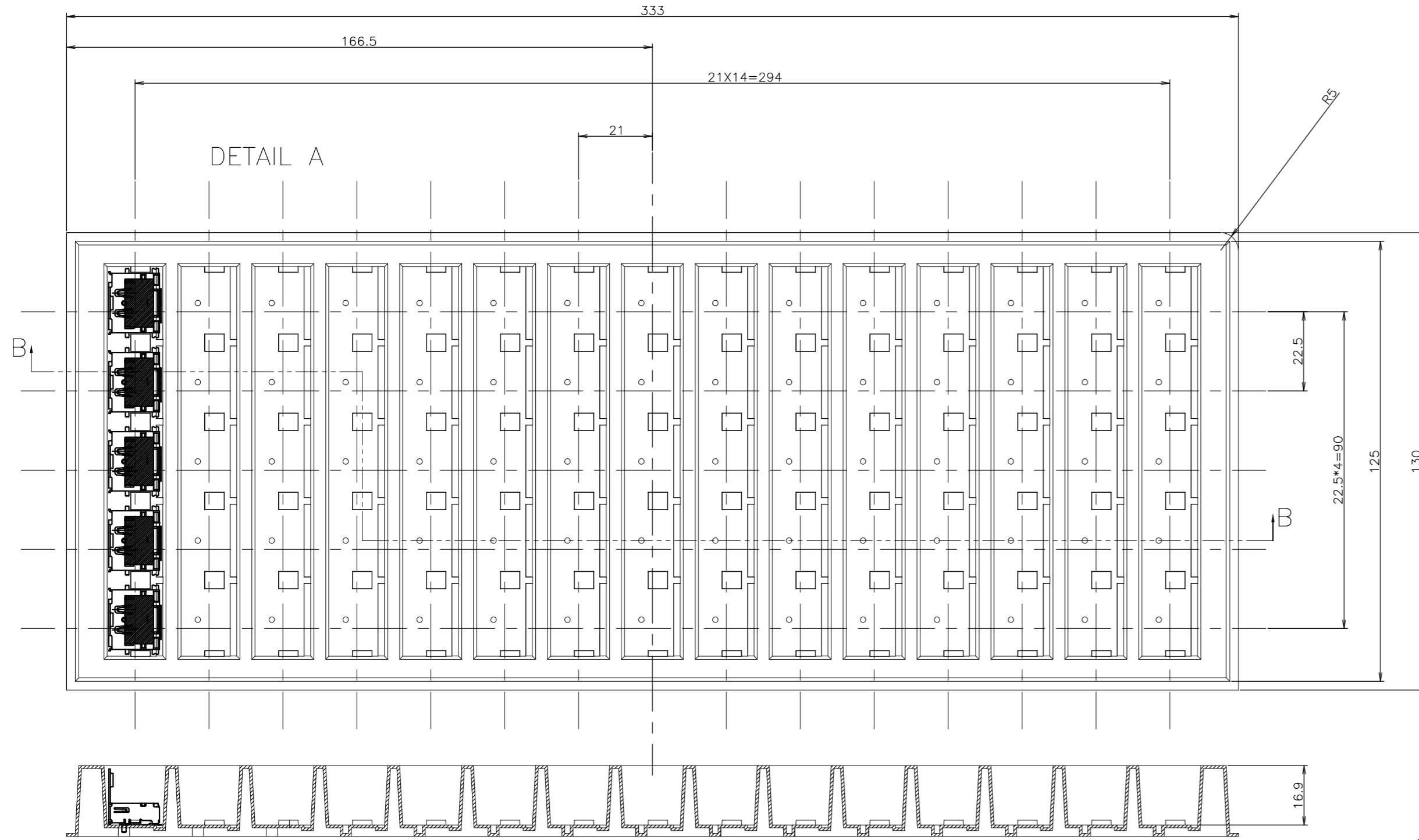


THIS DRAWING IS A CONTROLLED DOCUMENT.		DWN	Tyco Electronics Corporation	
DIMENSIONS: 単位: 耗 mm		CHK	Kawasaki, Japan	
TOLERANCES UNLESS OTHERWISE SPECIFIED: 一般公差		APVD	NAME 名称	
0 PLC $\pm 0.3$	1 PLC $\pm 0.3$	PRODUCT SPEC 製品規格	RECEPTACLE ASSEMBLY	
2 PLC $\pm 0.3$	3 PLC $\pm 0.3$	APPLICATION SPEC 取付適用規格	DISPLAYPORT RA SMT STD	
4 PLC $\pm 0.3$	ANGLES $\pm 2^\circ$	WEIGHT	SIZE A2	CAGE CODE 00779
MATERIAL 材料	FINISH 仕上	CUSTOMER DRAWING	DRAWING NO. 番号 C=2040247	RESTRICTED TO
			SCALE 尺度 NTS	SHEET 2 OF 3
			REV D1	

THIS DRAWING IS UNPUBLISHED. RELEASED FOR PUBLICATION JUL ,2008.  
 © COPYRIGHT 2008 BY TYCO ELECTRONICS CORPORATION. ALL RIGHTS RESERVED.

LOC	DIST	REVISIONS					
DW		P	LTR	DESCRIPTION	DATE	DWN	APVD
		-	-	SEE SHEET 1	-	-	-

PACKING FOR 5-2040247-5



**OBSOLETE**

- 1. PACKING MATERIAL :
  - 1.1 TRAY: PS
  - 1.2 SHIPPING CARTON: CORRUGATED FIBER
- 2. QUANTITY :
  - 2.1 PRIMARY PACKING: 75 PCS/TRAY
  - 2.2 SECONDARY PACKING: 20 TRAY (1500 PCS)/BOX

THIS DRAWING IS A CONTROLLED DOCUMENT.		DWN	16FEB2008		Tyco Electronics Corporation Kawasaki, Japan
DIMENSIONS: 单位: 耗 mm		CHK			
TOLERANCES UNLESS OTHERWISE SPECIFIED: 一般公差		APVD			RECEPTACLE ASSEMBLY DISPLAYPORT RA SMT STD SMT-LEG WITH FLANGE
0 PLC ± 0.3		PRODUCT SPEC	製品規格		SIZE
1 PLC ± 0.3		APPLICATION SPEC	取付適用規格		CAGE CODE
2 PLC ± 0.3		WEIGHT			DRAWING NO
3 PLC ± 0.3		CUSTOMER DRAWING			番号
4 PLC ± 0.3		SCALE	NTS		SHEET
ANGLES ± 2°		FINISH 仕上			3 of 3
MATERIAL 材料		FINISH 仕上			REV
					D1

单击下面可查看定价，库存，交付和生命周期等信息

[>>TE Connectivity\(泰科\)](#)